

PLAN OF RIBDECK 210 SLAB TO DAYLODGE FIRST FLOOR.

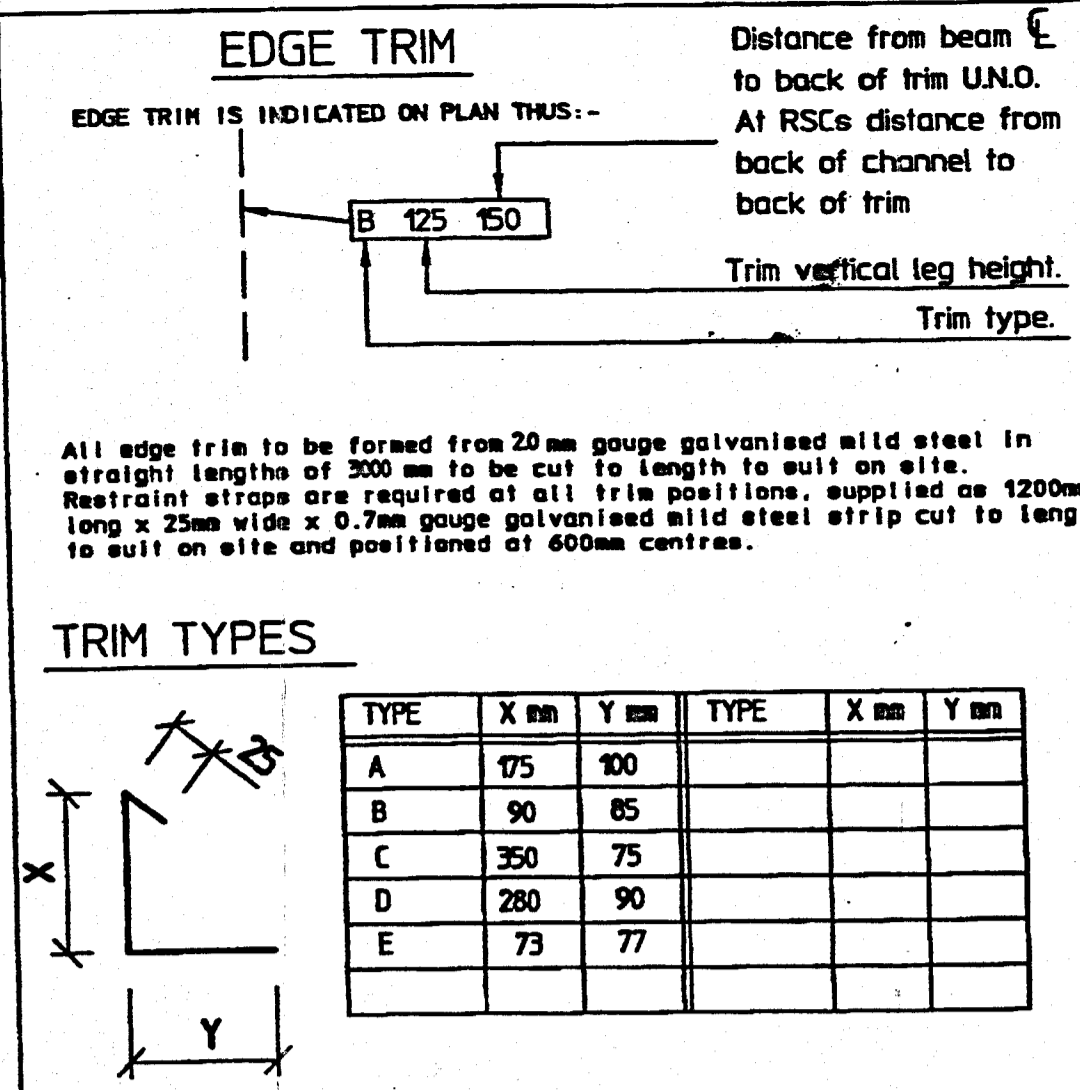
CLOSURE PIECES

Z TYPE TRIM

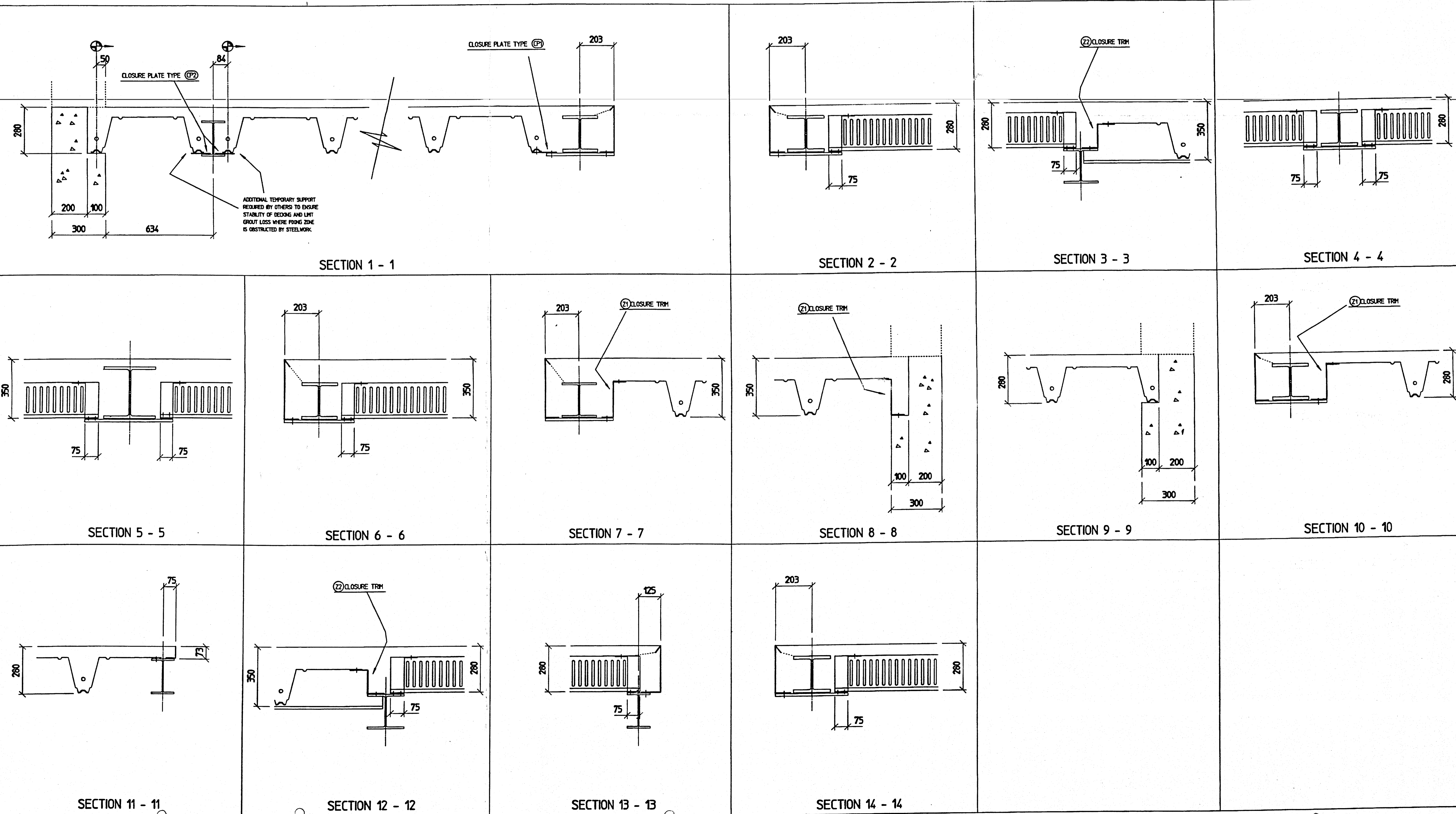
TYPE	A mm	B mm	C mm
Z1	210	70	70
Z2	140	110	100

CLOSURE PLATE

CP1 X = 150
CP2 X = 100



- GENERAL NOTES**
- RICHARD LEES STEEL DECKING LTD drawings are to be read in conjunction with all relevant Clients, Architects and Engineers drawings and details.
 - DECK IS INDICATED ON PLAN THIS:-
 - DECK IDENTIFICATION
 - Labels
 - DESIGN NOTES
 - Decking acts as permanent Formwork to a slab depth as noted.
 - Decking acts as permanent Formwork and tensile reinforcement in the bottom of the slab in accordance with the design load upon BS 5950 Part 4.
 - Slab overall depth 280 / 275 mm
 - Design loadings for composite slabs
 - Composite slabs require crack control reinforcement in the slab top in accordance with BS 5950 Part 4 clauses 6.8.7.7 and 6.9. This can generally be a mesh.
 - Fire rating for composite slabs
 - Where composite beams are specified all studs should be through deck welded where possible.
 - Where concrete additional to the slab depth noted is required, the noted slab depth is to be allowed to reach its design strength prior to casting the additional concrete.
 - Any additional slab reinforcement necessary to cater for slab finishing, walls, piers, upstands etc, built off the slab to be designed, supplied and fixed off by others.
- TEMPORARY PROPPING NOTES (Ribdeck 210)**
- Decking will require temporary props where shown on TP - on plan
 - Decking to be levelled by adjustment of the temporary props before pouring concrete. Isolated props are not permitted and spreader beams must be used under all covers. All props to be treated and braced prior to the fixing of any deck and trim. All propping arrangements should be of adequate strength and construction to sustain the deadweight of the concrete and any construction loads.
 - All temporary props to be designed supplied and erected by others.
 - The props are to remain in position until the slab can support the imposed loads.
 - All prop bearers to be a minimum of 100mm wide.
- FIXING NOTES (Ribdeck 210)**
- Panels are supplied in standard widths with square cut ends and cutting is by power for cutting.
 - Minimum bearing requirements for the decking are 75mm on concrete & steelwork and 100mm on masonry.
 - Overlap up to 300mm square cut ends in the centre of profile top flanges and are acceptable without additional reinforcement other than the minimum central mesh. Any hole wider than 400mm will require full structural support, or at least one of the reinforced ribs will have been interrupted.
 - All other openings are to have local reinforcement or trimmers designed and supplied by others. The preferred method of forming small openings is to box out on the decking prior to concreting and cut the deck once the slab has cured.
 - Panels supplied generally have length. Layout to be checked to every 750mm for excessive creep and panels cut as required to ensure all panel and bearing are within minimum requirements.
- CONTRACTORS NOTES**
- Continuous spans are not to be cut down to a simply supported condition without reference to RICHARD LEES STEEL DECKING LTD.
 - Concrete should be poured evenly across the width of a panel towards the wide top joint and distributed over the full panel length to avoid unloaded span conditions.
 - Construction/Day joints should be located along the line of a support beam at panel ends.
 - Where columns, moment connections, bracing or other steelwork details prevent panel ends taking bearings on beams, some means of suitable permanent support should be provided by others. If temporary props are provided, local reinforcement to the slab is to be designed supplied and fixed by others to provide effective permanent support.
 - The setting out of a curve or radius, for cutting deck or locating and fixing edge trim, must be carried out by the site engineer, and a physical line, template or some form of guide supplied for the RICHARD LEES STEEL DECKING LTD erection team to work from (supply and fix contract only).



ERECTORS FIXING NOTES

PANEL ENDS MUST BE FIXED USING 2x6 HEAVY DUTY 6x11 DOTS/1 SHOT FRED FRINGS PER TROUGH

END CLOSURE FLASHINGS TO BE FIXED TO SUPPORTS USING 4x6 SHOT FRED FRINGS PER 600mm PROFILE AND SECURED TO DECKING USING 2x6 SELF DRILL/SELF TAPPING SCREWS PER 600mm PROFILE.

ALL LAP JOINTS TO BE FITTED WITH TEX SCREWS THROUGH SHEAR BOND CLIPS AT 300mm CENTRES.

END CLOSURE FLASHINGS MUST ALWAYS BE FIXED WITH VERTICAL LEG IN LINE WITH TOE OF BEAM.

DECK TO EACH BAY MUST BE FIXED SO THAT EACH BAY LINES THROUGH WITH THE ADJACENT BAY. DECKING MUST LINE THROUGH ACROSS FULL WIDTH OF THE BUILDING.

PANELS ARE NOT TO BE CUT DOWN THEIR LENGTH OVERLAPPED AND FITTED TO FORM CLOSURE PANEL WITHOUT PRIOR REFERENCE TO RICHARD LEES STEEL DECKING TECHNICAL DEPARTMENT.

CONTRACTORS / ENGINEERS NOTE

PANEL ENDS MUST BE PROVIDED WITH FULL SUPPORT AT ALL LOCATIONS (PLEASE REFER TO OUR CONTRACTORS NOTE C4)

PLEASE NOTE THAT WHERE ONLY TEMPORARY SUPPORT IS PROVIDED, THEN SLAB MUST BE FULLY REINFORCED LOCALLY TO PROVIDE EFFECTIVE PERMANENT SUPPORT.

HOLES THROUGH SLAB: ALL SMALL OPENINGS THROUGH THE SLAB TO BE FORMED BY OTHERS. (SEE NOTE F3)

REFER TO ENGINEERS DRAWINGS FOR LOCATION AND SETTING OUT

REVISIONS

REV	DATE	REVISION	INT
A	22-Sep-2000	UPDATED TO RETURN COMMENTS / APPROVAL RELEASED FOR MANUFACTURE	CS

COPYRIGHT The contents of this drawing may not be reproduced in whole or in part without the written permission of Richard Lees Steel Decking Ltd.

CLIENT
MORRISON CONSTRUCTION LTD.

PROJECT
CAIRNGORM FUNICULAR RAILWAY

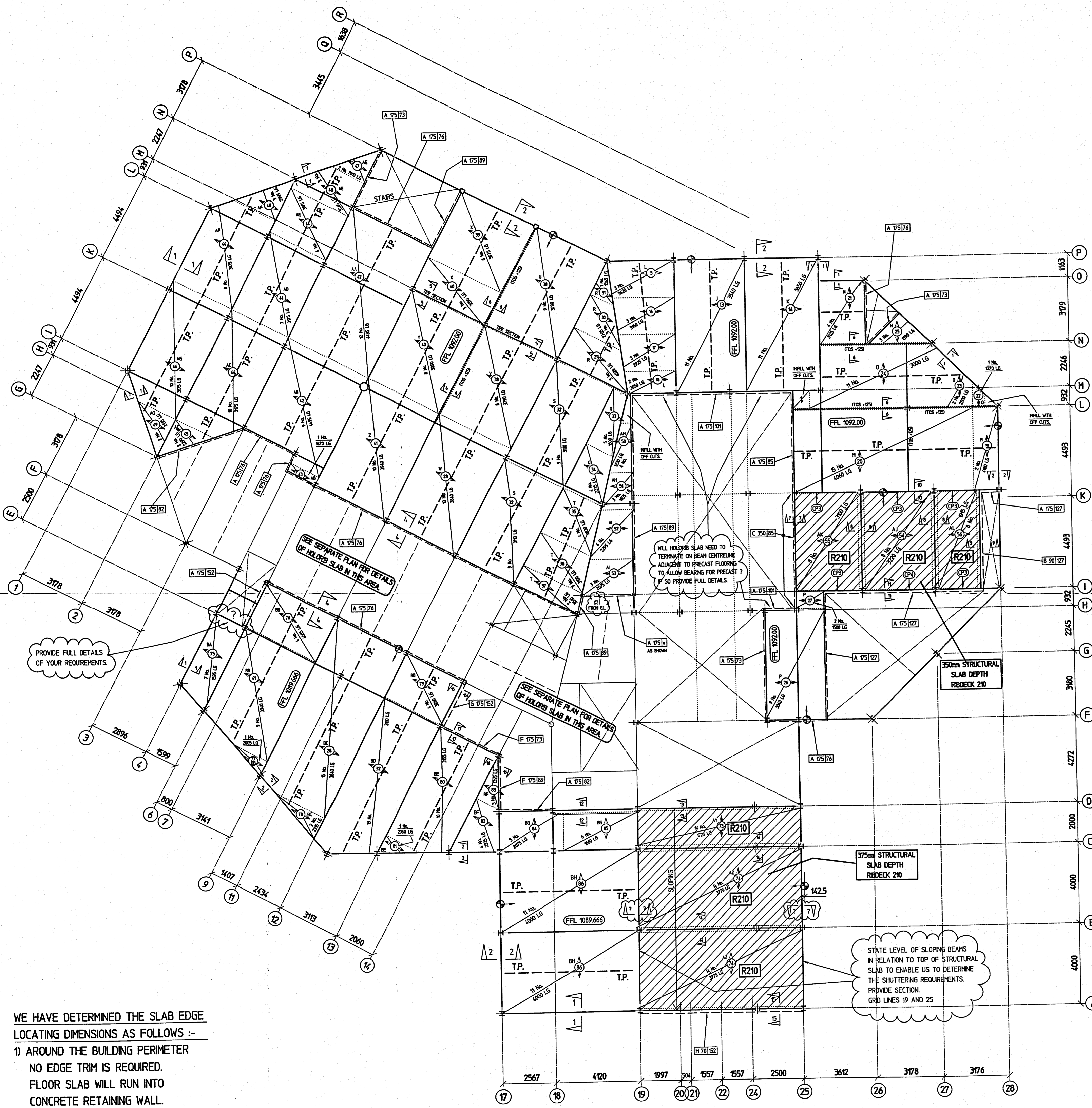
TITLE
RIBDECK 210 LAYOUT TO DAYLODGE SLAB + GENERAL NOTES AND SECTIONS

Richard Lees Steel Decking Limited
Floor Form Road West, The Airfield, Ashbourne Derbyshire DE6 9D
Telephone: 01335 300999 Facsimile: 01335 300888

SCALE 150 / 110

DRAWN [] **CHECKED** [] **DATE** 18-Sep-2000 **SHEET** 1 OF 3 SHEETS

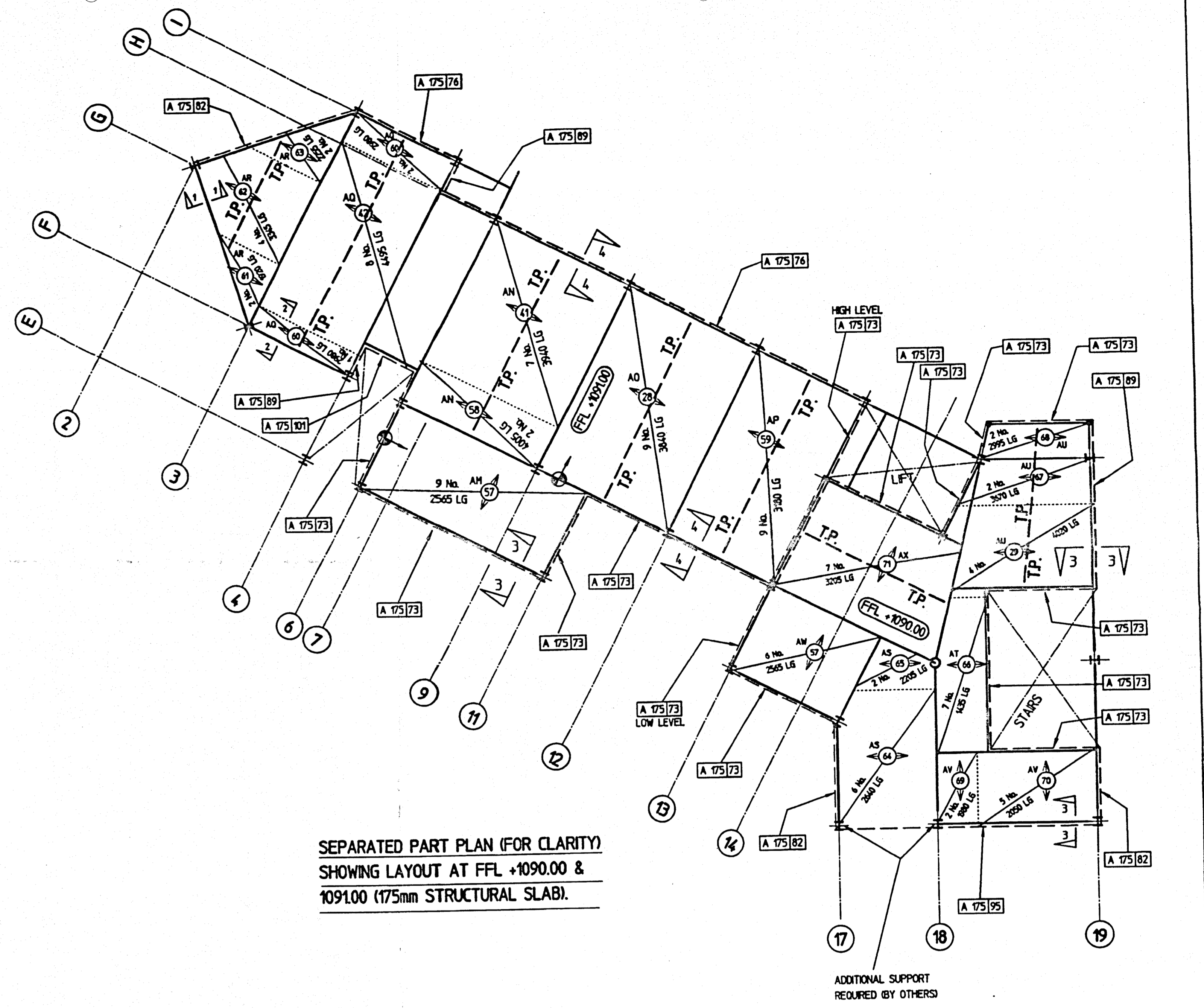
DRAWING No. 0U508357/1 **REV.** A



WE HAVE DETERMINED THE SLAB EDGE LOCATING DIMENSIONS AS FOLLOWS :-

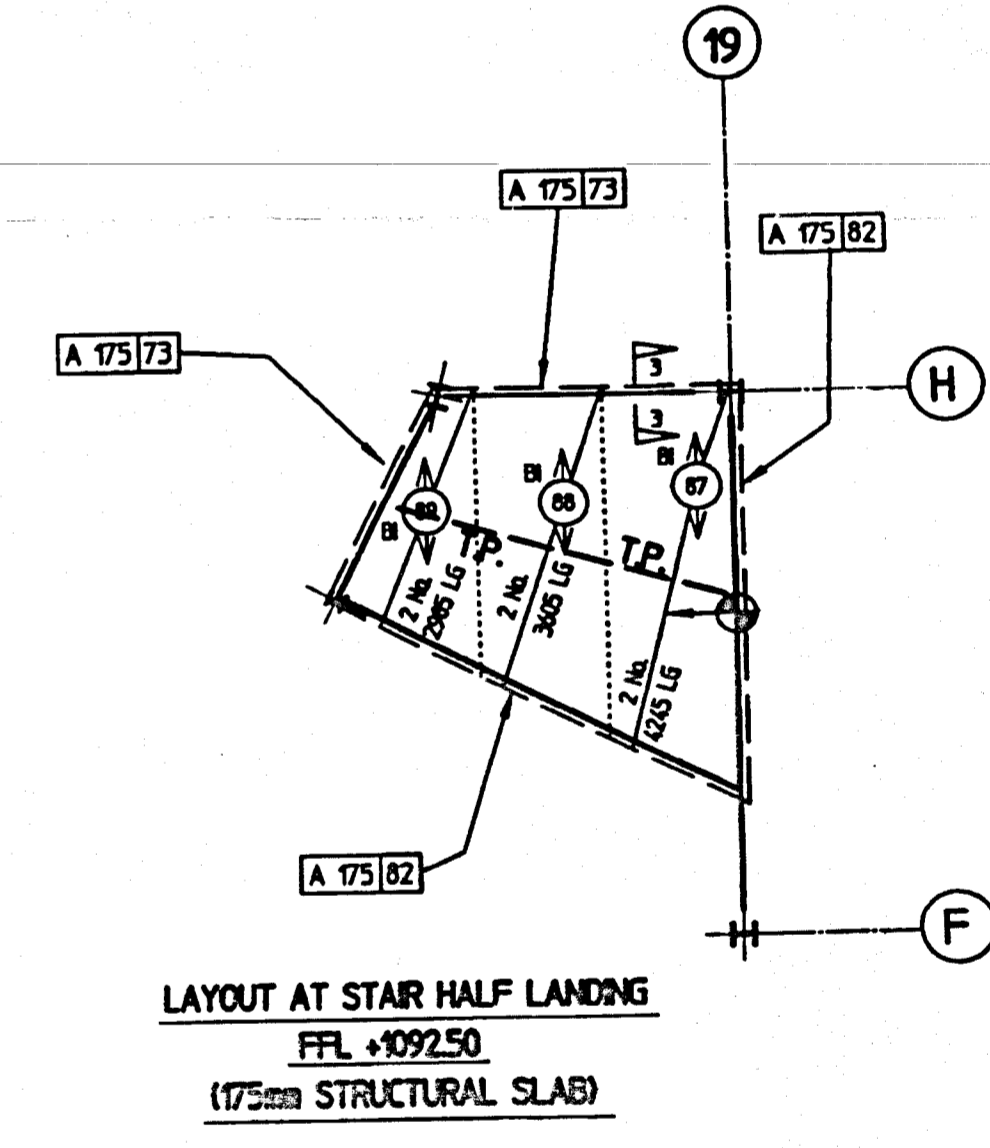
- 1) AROUND THE BUILDING PERIMETER
NO EDGE TRIM IS REQUIRED.
FLOOR SLAB WILL RUN INTO CONCRETE RETAINING WALL.
ANY SHUTTERING BY OTHERS.
- 2) ALL OTHER RELEVANT EDGES WILL HAVE THE SLAB EDGE SET OUT COINCIDENT WITH THE OUTSIDE EDGE OF THE SUPPORTING BEAMS.

MAIN FLOOR PLAN AT +1092.00 & 1089.666 FFL (175mm STRUCTURAL SLAB -UNLESS NOTED OTHERWISE).



SEPARATED PART PLAN (FOR CLARITY) SHOWING LAYOUT AT FFL +1090.00 & 1091.00 (175mm STRUCTURAL SLAB).

NOTE: HOLORIB DECK PROPPING
TEMPORARY PROPPING FOR SPANS 4000mm OR OVER MUST BE IN PLACE, LEVELLED AND SUITABLY BRACED PRIOR TO LAYING THE DECK.
ALL BY OTHERS.
(NOT APPLICABLE TO RIBDECK 210 PROFILE)



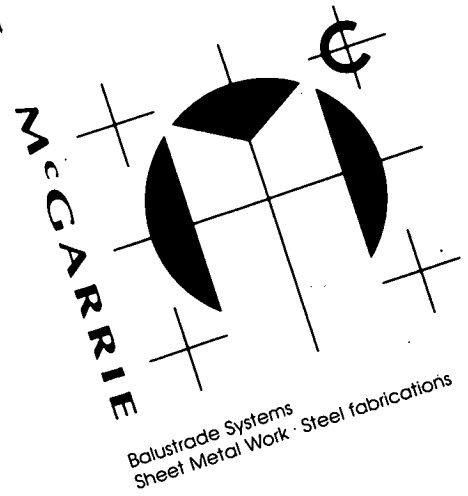
LAYOUT AT STAIR HALF LANDING FFL +1092.50 (175mm STRUCTURAL SLAB)

REV	DATE	REVISION	INT.
A	28-Mar-2001	MATERIALS RELEASED FOR MANUFACTURE FOLLOWING APPROVAL BY MORRISON	CS
COPYRIGHT The contents of this drawing may not be reproduced in whole or in part without the written permission of Richard Lees Steel Decking Ltd.			
CLIENT MORRISON CONSTRUCTION LTD.			
PROJECT CAIRNGORM FUNICULAR RAILWAY			
TITLE HOLORIB AND RIBDECK 210 LAYOUT TO UPPER STATION (PTARMIGAN)			
Richard Lees Steel Decking Limited Moor Farm Road West, The Airfield, Ashbourne Derbyshire DE6 11D Telephone: 01535 300999 Facsimile: 01535 300888			
DRAWN		SCALE 1:75 / 1:10	
CHECKED		DRAWING No.	
DATE 22nd September 2000		REV.	
SHEET 2 OF 3 SHEETS		OU508357/2 A	

FOR GENERAL NOTES AND SECTIONS REFER TO DRAWING NUMBER OU508357/3



Lower Harbour - Perth - Scotland PH2 8BB
 Tel 01738 624158/631194 - Fax 01738 633814
 E.mail: office@mccgarrie.net



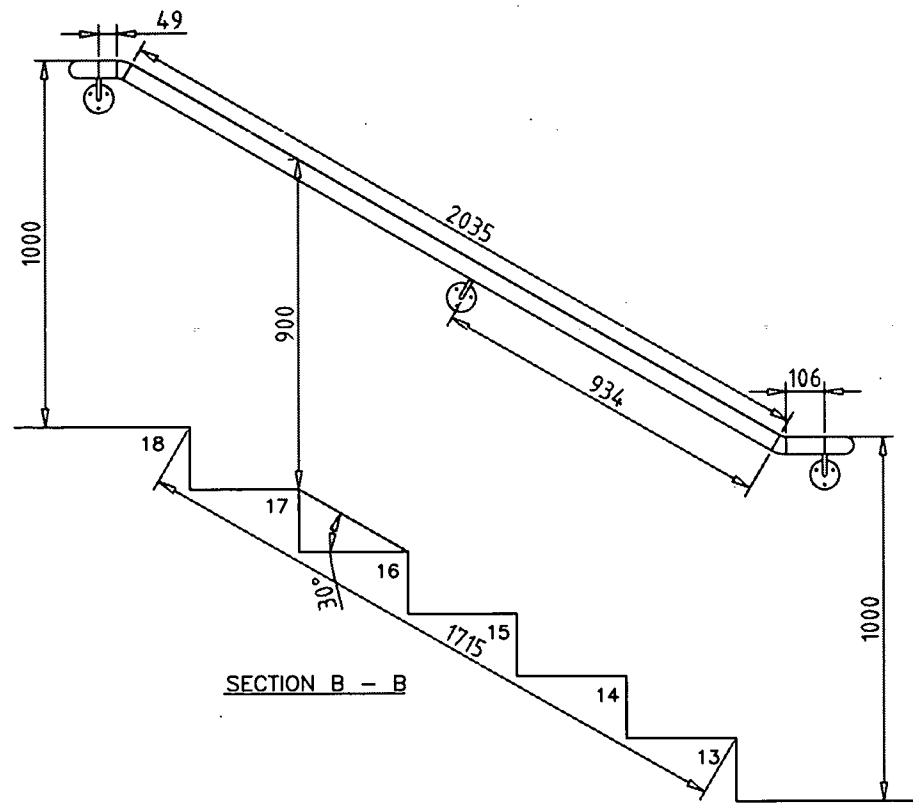
Main Contractor: Morrison Construction Limited
Project: Funicular - Cairngorm
Contract No: 4677

Materials List:

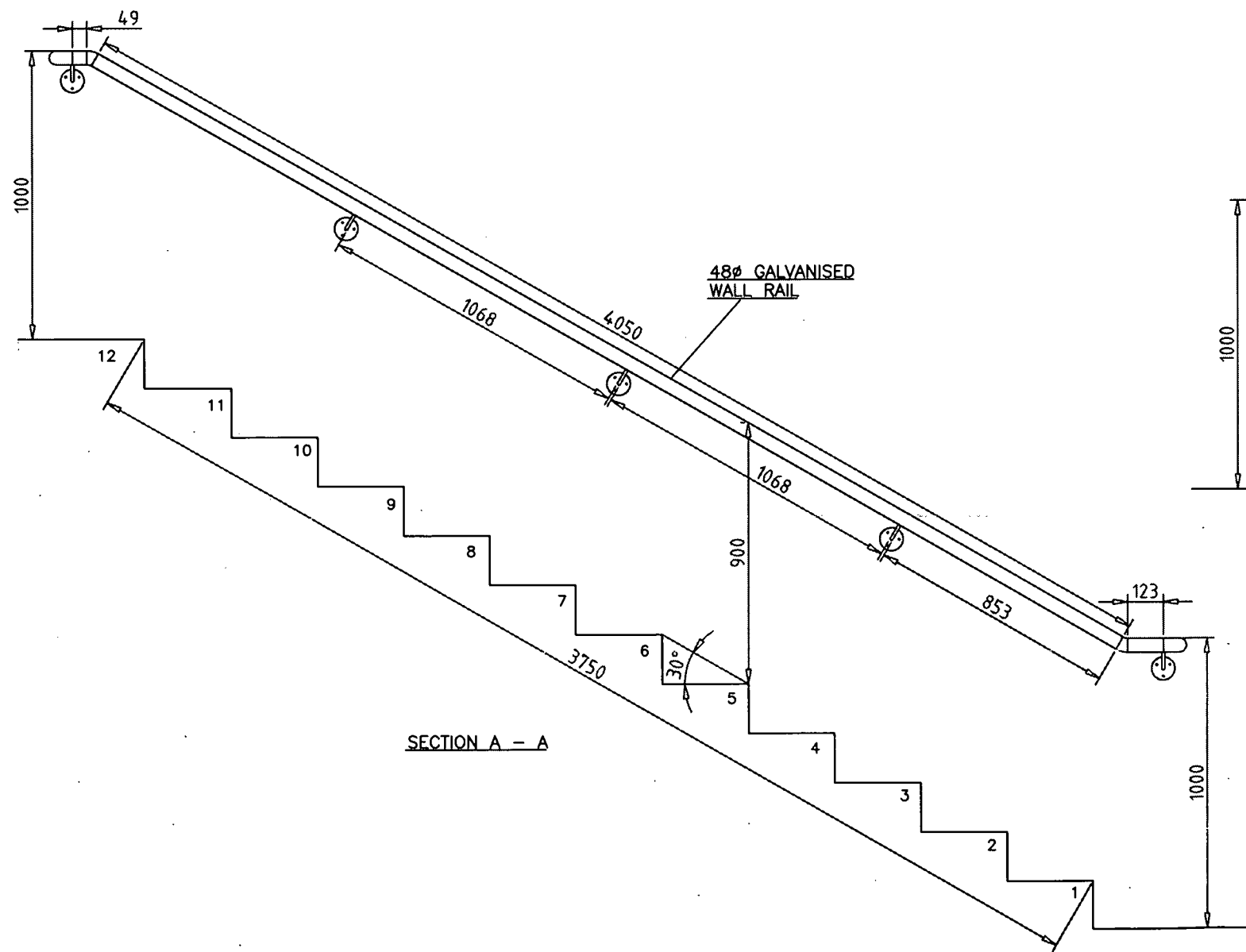
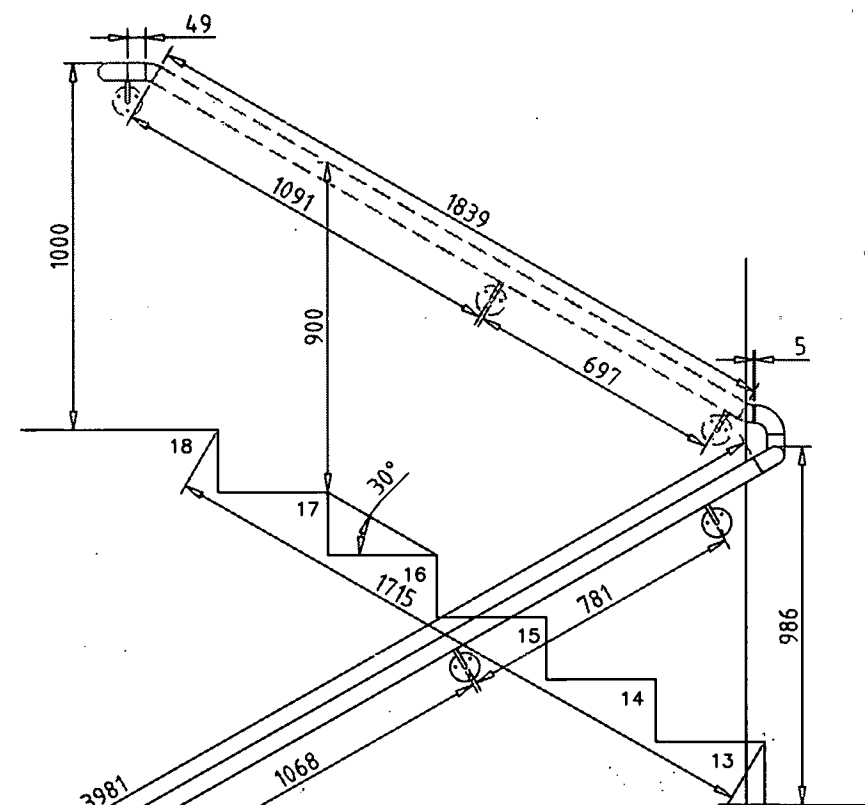
Wall Mounted Handrail	<p>1½" NB [48mm] diameter x 3.25mm wall thickness - mild steel tube</p> <p>12mm diameter Elbow Support - mild steel</p> <p>80mm diameter Circular Wall Rose</p> <p>Finish - Hot Dipped Galvanised</p>
Balustrades	<p>1½" NB [48mm] diameter x 3.25mm wall thickness - mild steel tube</p> <p>All fittings - Key Clamp range</p> <p>Finish - Hot Dipped Galvanised</p> <p>Infill panels - 50x50x3mm weld-mesh within an 8mm diameter surround frame - Hot Dipped Galvanised</p> <p>Panel Clamps - Key Clamp range</p>
Staircases	<p>Stringers - 250x10 mild steel Flat Bar</p> <p>Tread Supports 40x40x6 mild steel angles</p> <p>Treads - 6mm thick mild steel Durbar tread plate</p> <p>Finish - Hot Dipped Galvanised</p>
Restaurant Seating Handrails	<p>50mm diameter x 1.5mm thick, 316 grade stainless steel tube - satin polished</p> <p>Supports - 12mm diameter stainless steel Round Bar 316 grade - Satin Polished</p> <p>Base plates 80mm diameter circular stainless steel - Satin Polished</p>



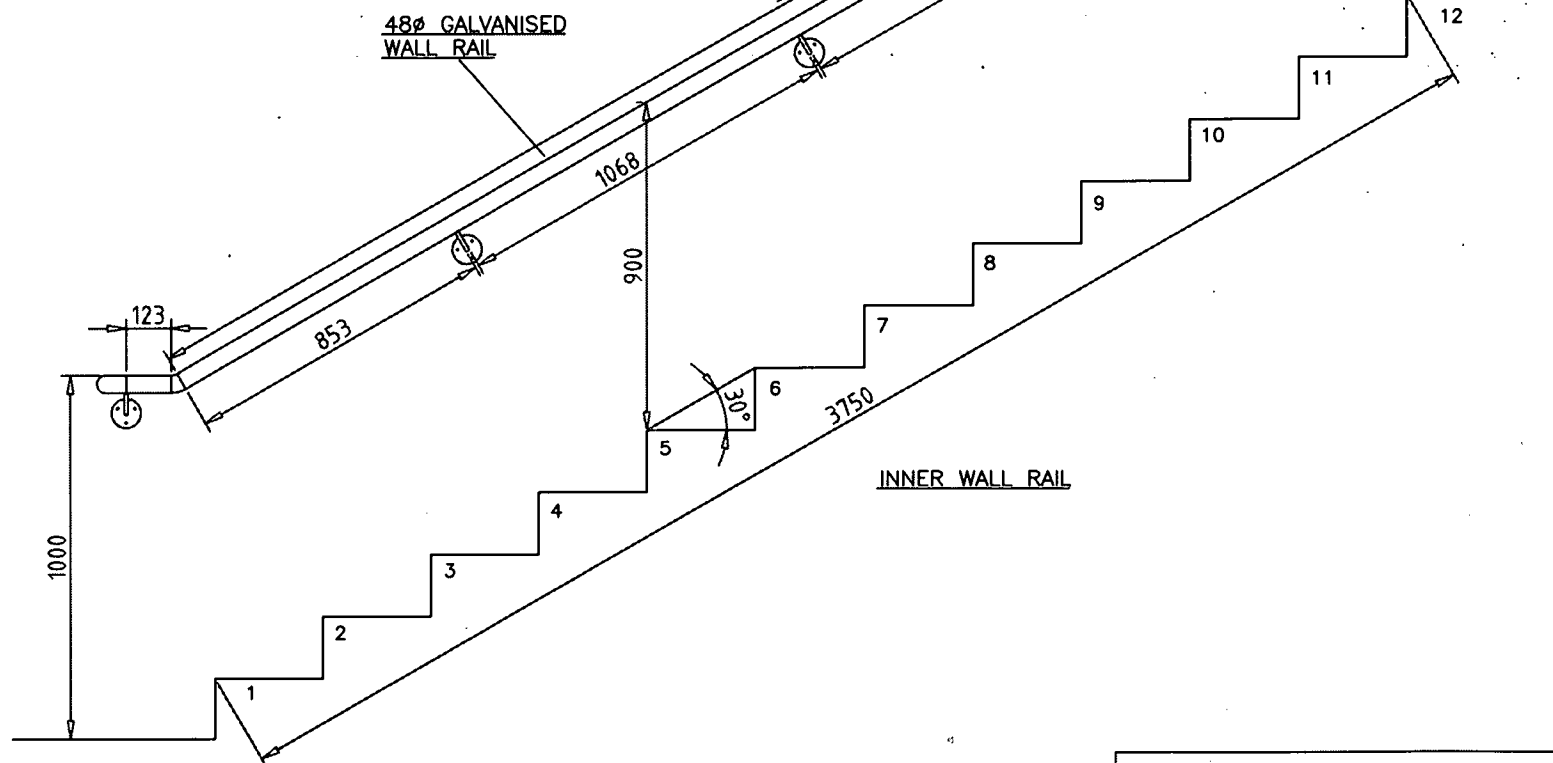
W A McGarrie & Son Limited
 Registered in Scotland No. 61522
 Directors FA McGarrie PN McGarrie J Blyth
 Registered Office Lower Harbour Perth



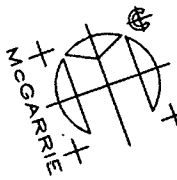
SECTION B - B



SECTION A - A

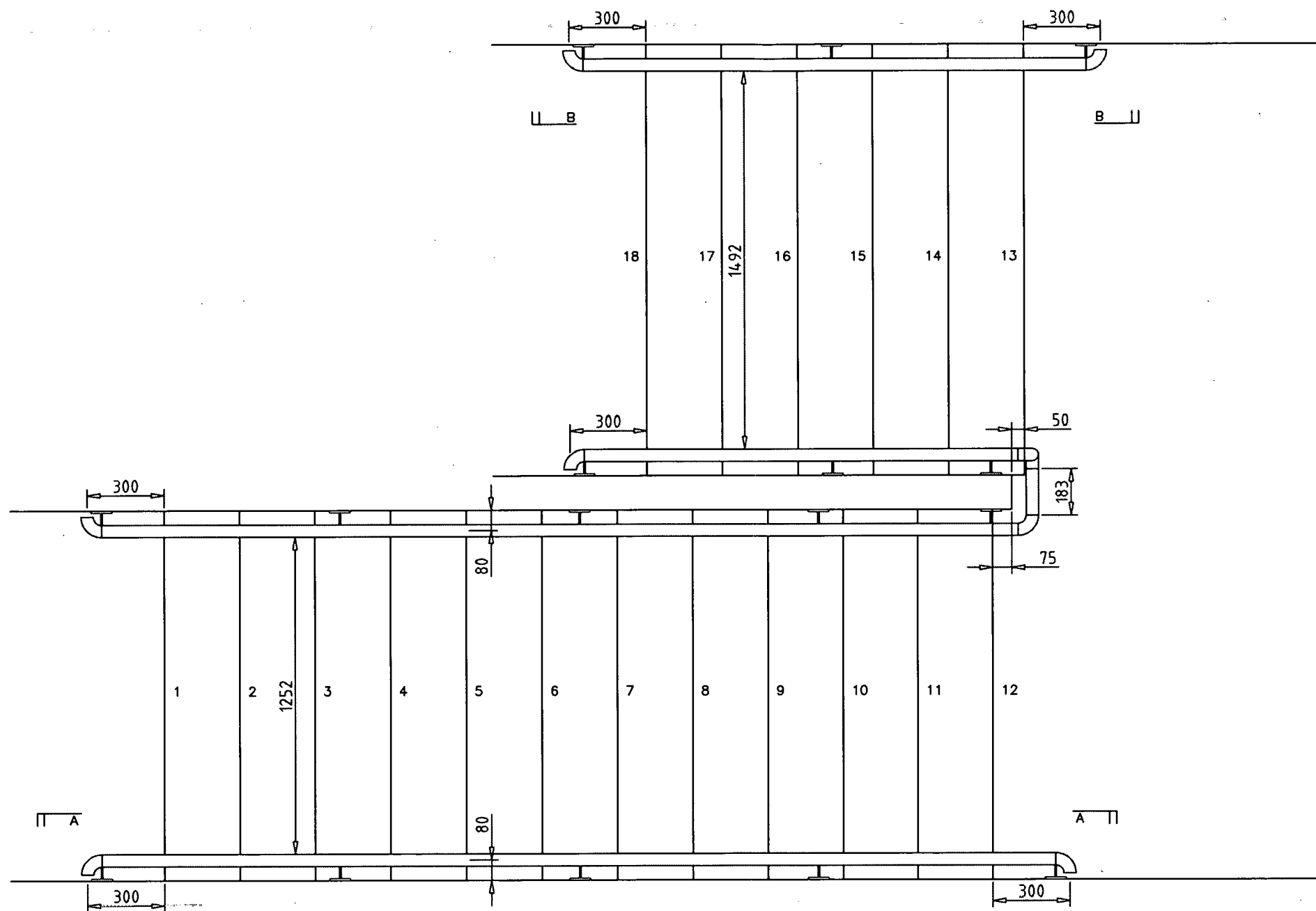


REV. A - CUT DIMS ADDED


 LOWER HARBOUR
 PERTH PH2 8BB
 TEL: 01738 624158
 & 631194
 FAX: 01738 633814
 E.MAIL: office@mcgarrie.net

PROJECT:
 CAIRNGORM FUNICULAR
 RAILWAY
 STAIR '3'

MATERIAL:	AS SHOWN	JOB No. 8750	REV.
COLOUR:	GALVANISED	DRG No: 857/1	A
CHECKED:		DATE	SCALE
		10.04.01	1:20



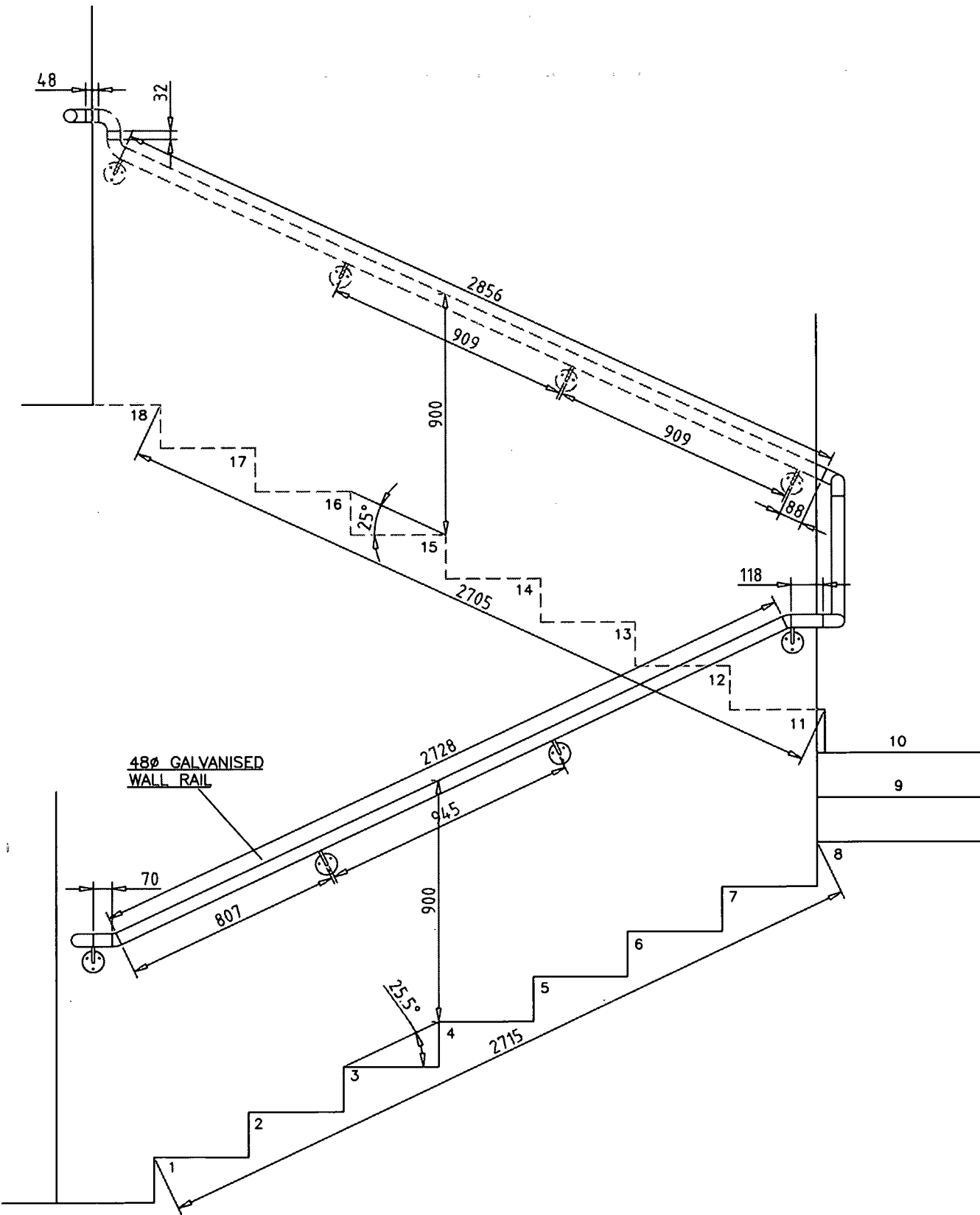
PLAN

REV. A - CUT DIMS ADDED

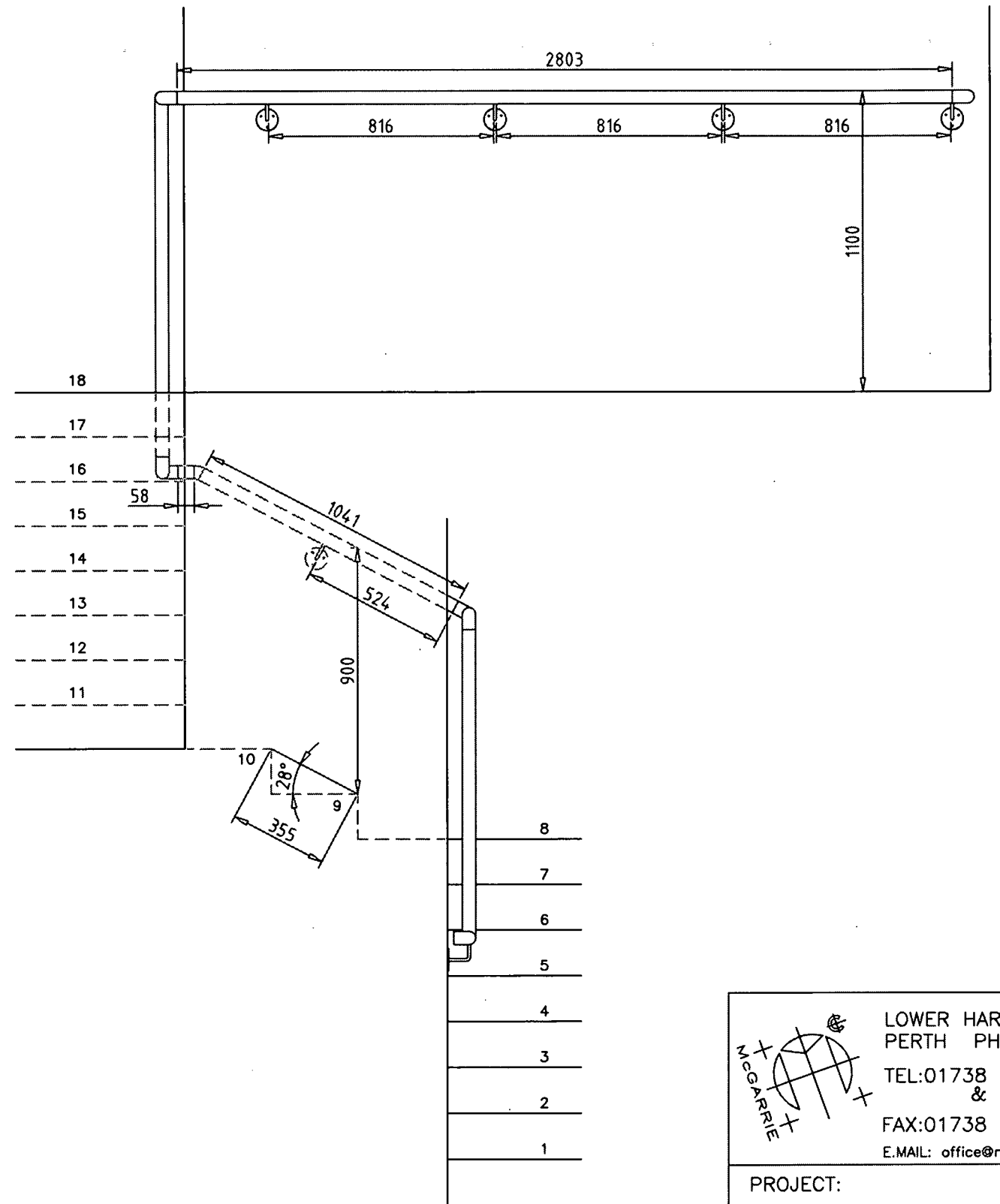

 LOWER HARBOUR
 PERTH PH2 8BB
 TEL: 01738 624158
 & 631194
 FAX: 01738 633814
 E.MAIL: office@mcgorrie.net

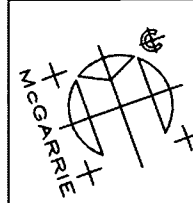
PROJECT:
 CAIRNGORM FUNICULAR
 RAILWAY
 STAIR '3'

MATERIAL:	AS SHOWN	JOB No. 8750	REV.
COLOUR:	GALVANISED	DRG No: 857/2	A
CHECKED:		DATE	SCALE
		10.04.01	1:20



INNER WALL RAIL

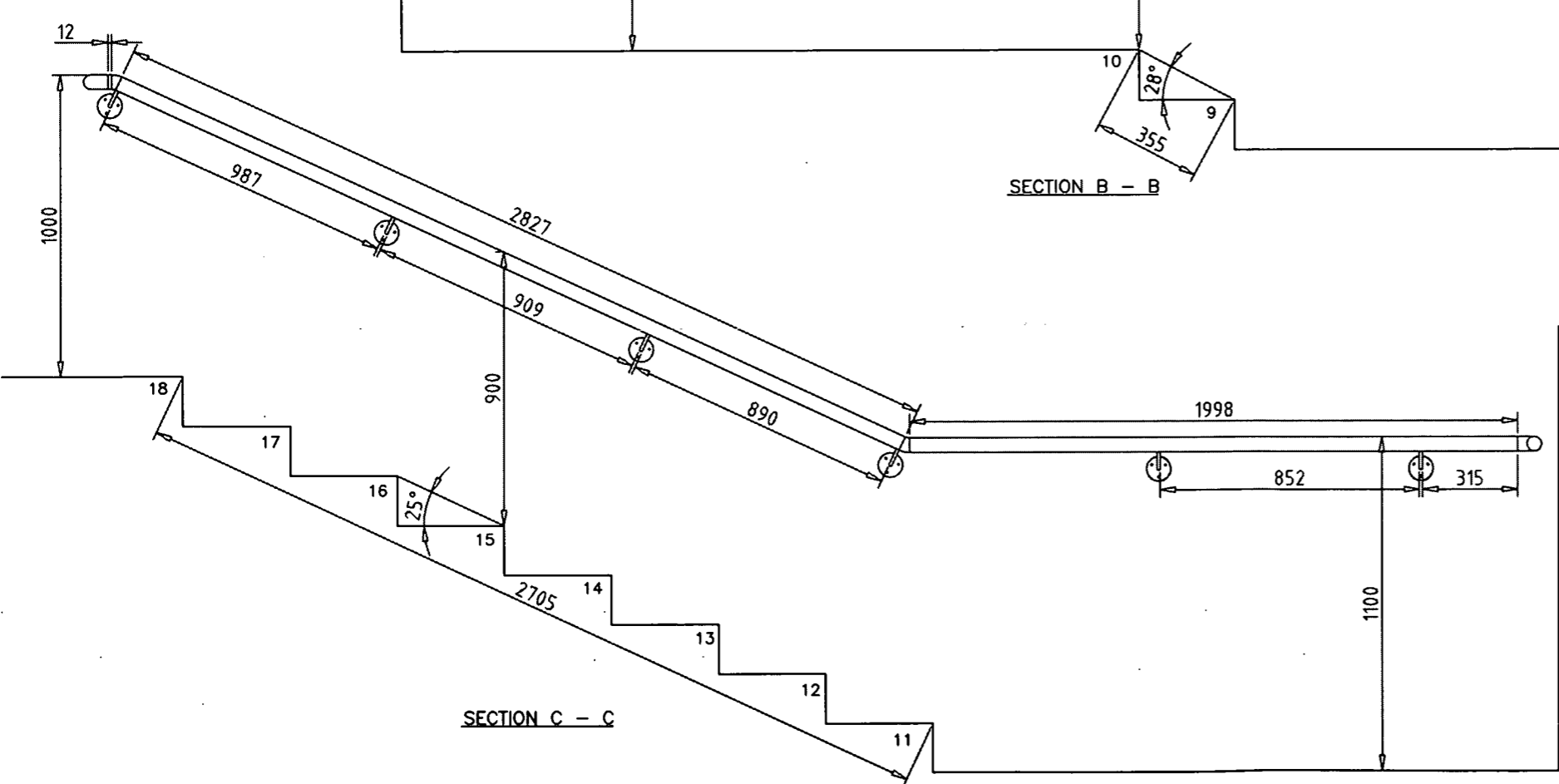
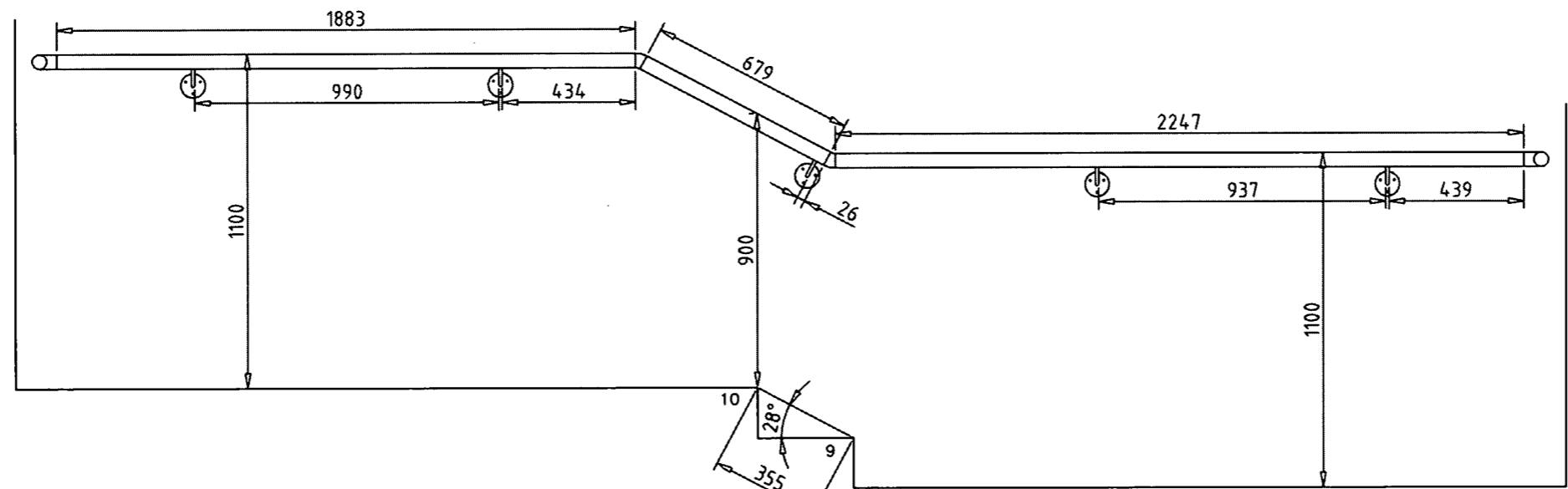
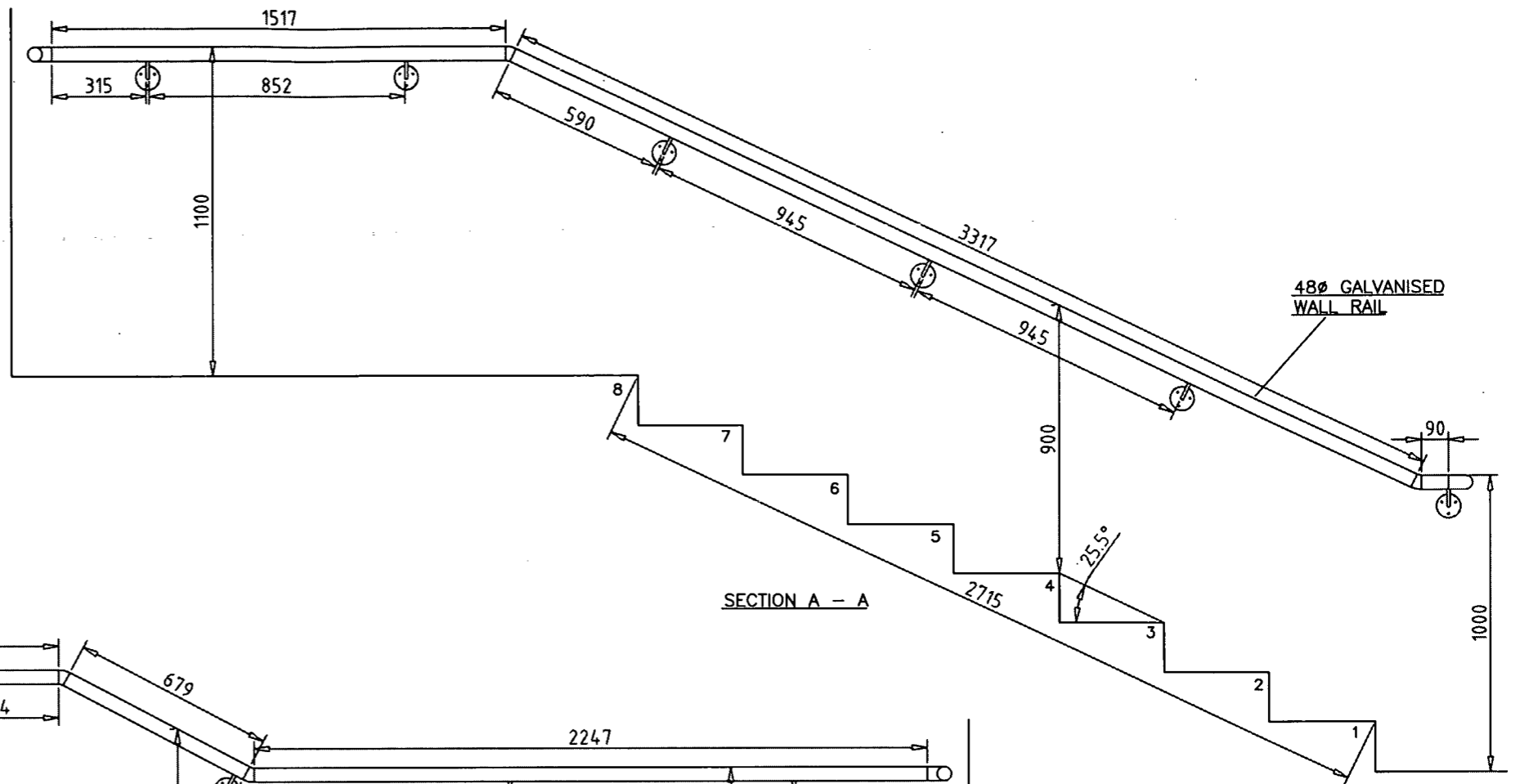



 LOWER HARBOUR
 PERTH PH2 8BB
 TEL:01738 624158
 & 631194
 FAX:01738 633814
 E.MAIL: office@mcgarrie.net

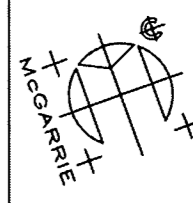
PROJECT:
 CAIRNGORM FUNICULAR
 RAILWAY
 STAIR '2'

MATERIAL:	AS SHOWN	JOB No. 8750	REV.
		DRG No: 857/3	A
COLOUR:	GALVANISED	DRAWN BY	DATE
CHECKED:			10.04.01
			SCALE
			1:20

REV. A - CUT DIMS ADDED

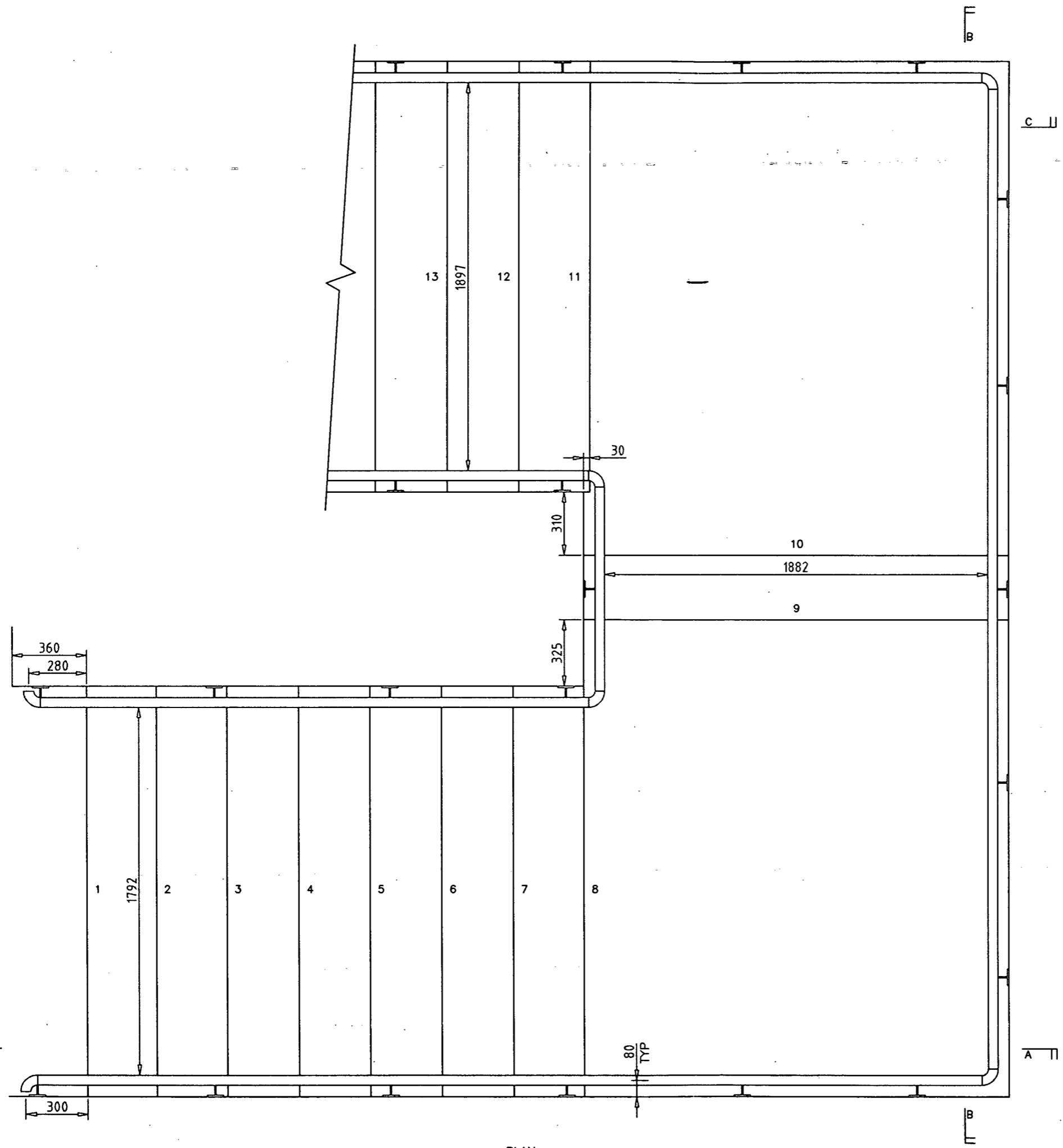


REV. A - CUT DIMS ADDED

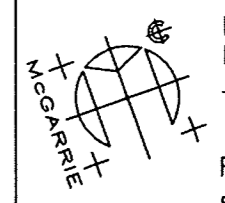

 LOWER HARBOUR
 PERTH PH2 8BB
 TEL: 01738 624158
 & 631194
 FAX: 01738 633814
 E.MAIL: office@mcgarrie.net

PROJECT:
 CAIRNGORM FUNICULAR
 RAILWAY
 STAIR '2'

MATERIAL:	AS SHOWN	JOB No. 8750	REV.
COLOUR:	GALVANISED	DRG No: 857/4	A
CHECKED:		DATE	SCALE
		10.04.01	1:20



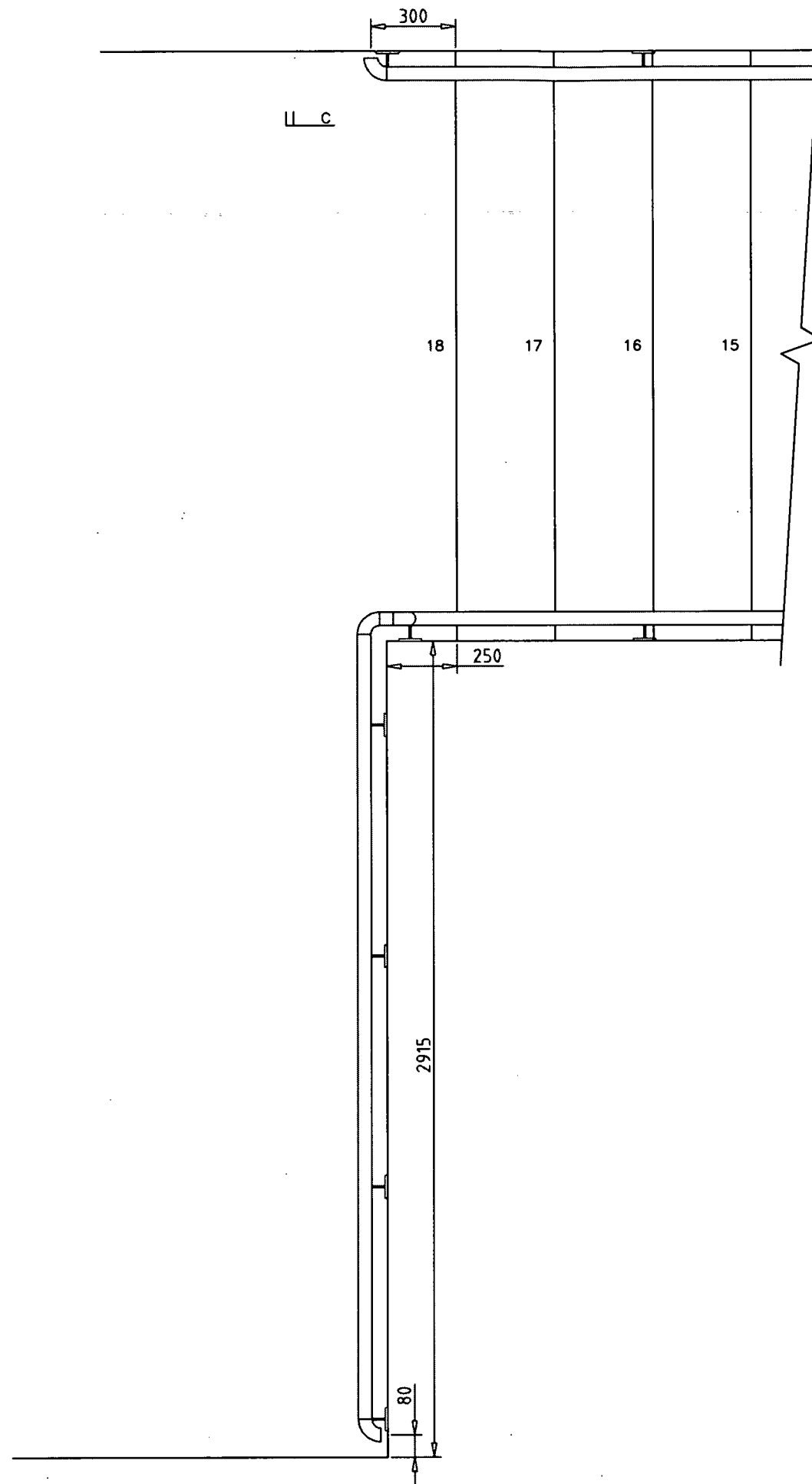
PLAN



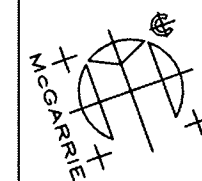
LOWER HARBOUR
 PERTH PH2 8BB
 TEL:01738 624158
 & 631194
 FAX:01738 633814
 E.MAIL: office@mcgarrie.net

PROJECT:
 CAIRNGORM FUNICULAR
 RAILWAY
 STAIR '2'

MATERIAL:	AS SHOWN	JOB No. 8750	REV.
COLOUR:	GALVANISED	DRG No: 857/5	
CHECKED:		DRAWN BY	DATE
			10.04.01
			SCALE
			1:20



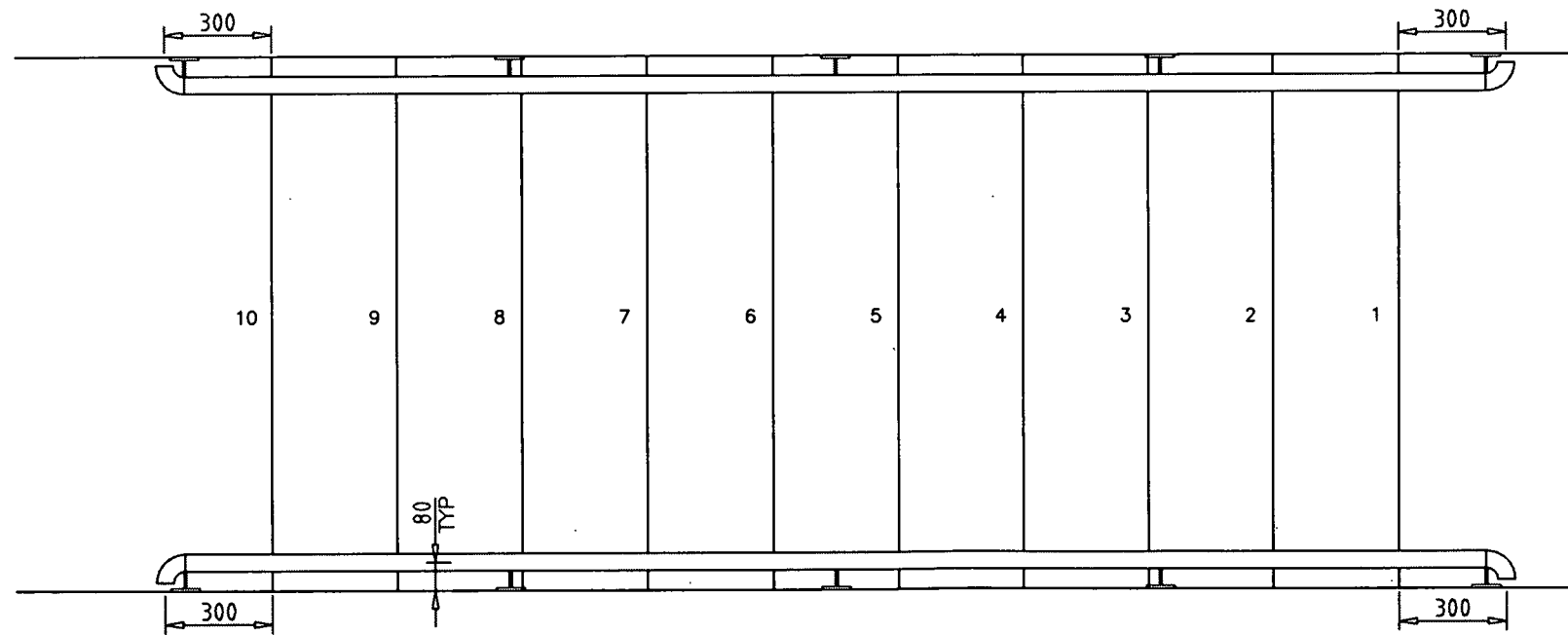
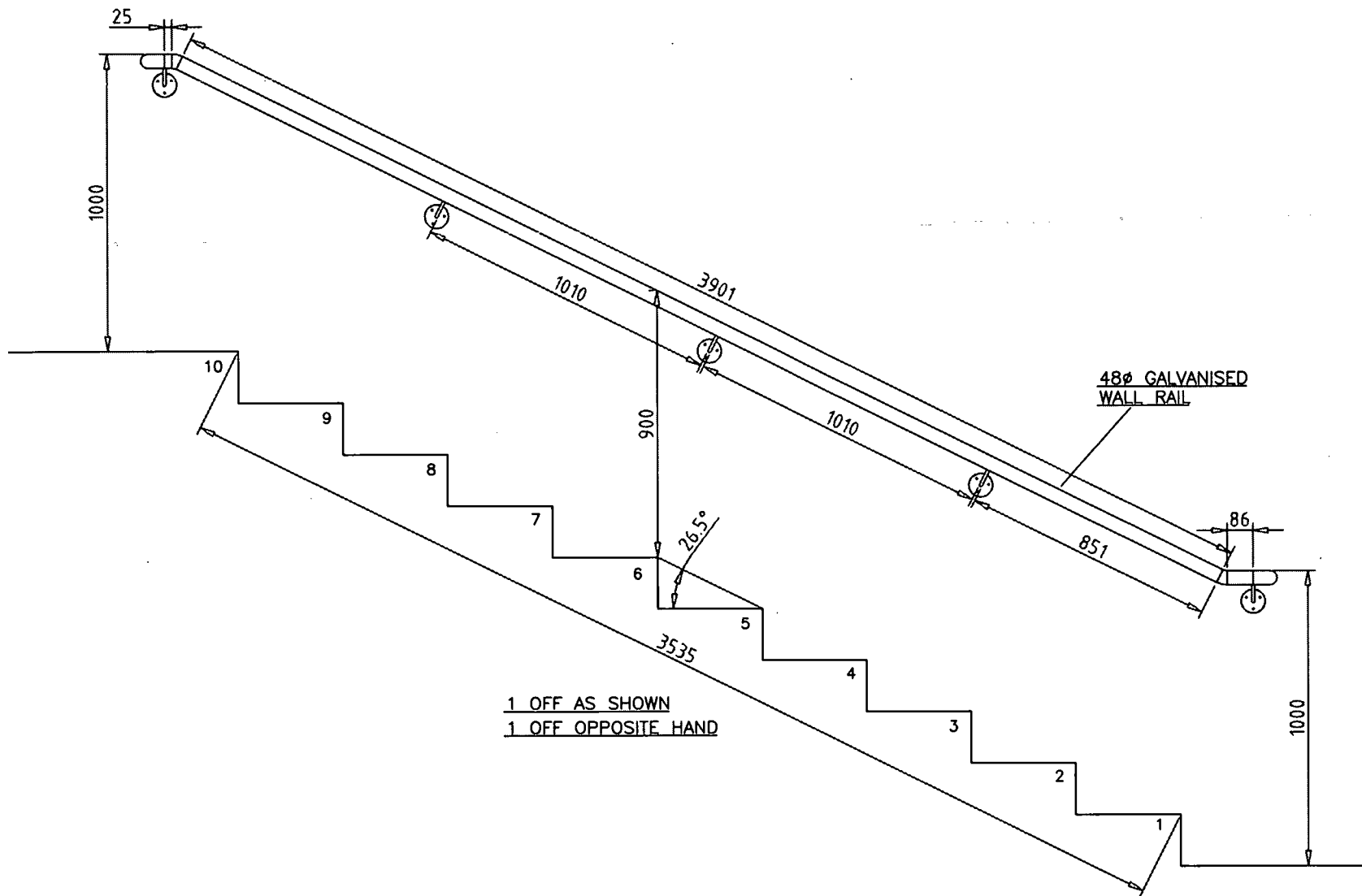
PLAN



LOWER HARBOUR
 PERTH PH2 8BB
 TEL:01738 624158
 & 631194
 FAX:01738 633814
 E.MAIL: office@mcgarrie.net

PROJECT:
 CAIRNGORM FUNICULAR
 RAILWAY
 STAIR '2'

MATERIAL: AS SHOWN	JOB No. 8750	REV.
	DRG No: 857/6	
COLOUR: GALVANISED	DRAWN BY	DATE
CHECKED:		10.04.01
		SCALE
		1:20



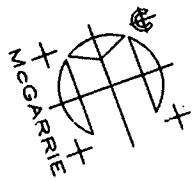
PLAN

REV. A - CUT DIMS ADDED


 LOWER HARBOUR
 PERTH PH2 8BB
 TEL:01738 624158
 & 631194
 FAX:01738 633814
 E.MAIL: office@mcgarrie.net

PROJECT:
 CAIRNGORM FUNICULAR
 RAILWAY
 STAIR '1'

MATERIAL: AS SHOWN	JOB No. 8750	REV.
	DRG No: 857/7	A
COLOUR: GALVANISED	DRAWN BY	DATE
CHECKED:		10.04.01
		SCALE
		1:20



LOWER HARBOUR
PERTH PH2 8BB
TEL:01738 624158
& 631194
FAX:01738 633814
E.MAIL: office@mcgarrie.net

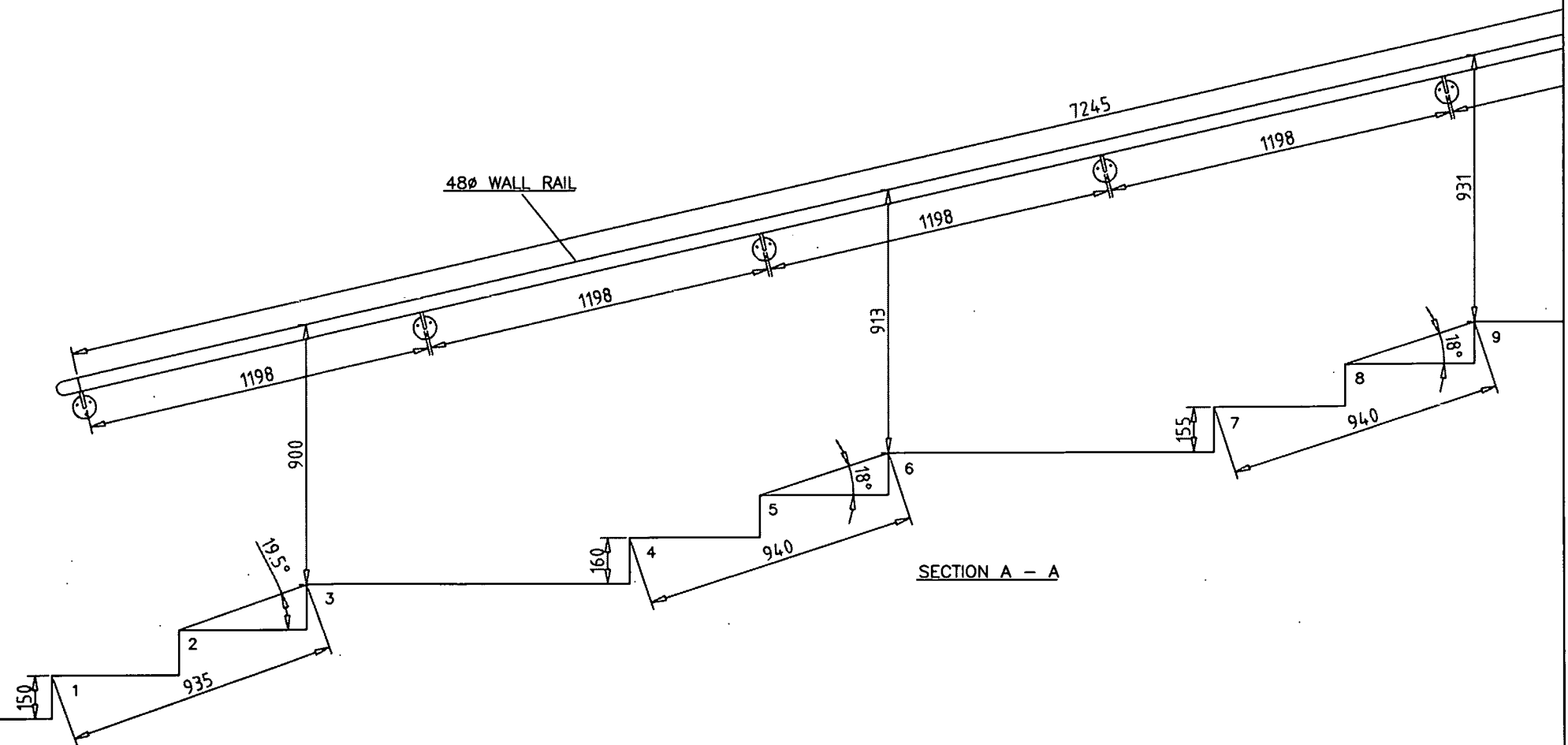
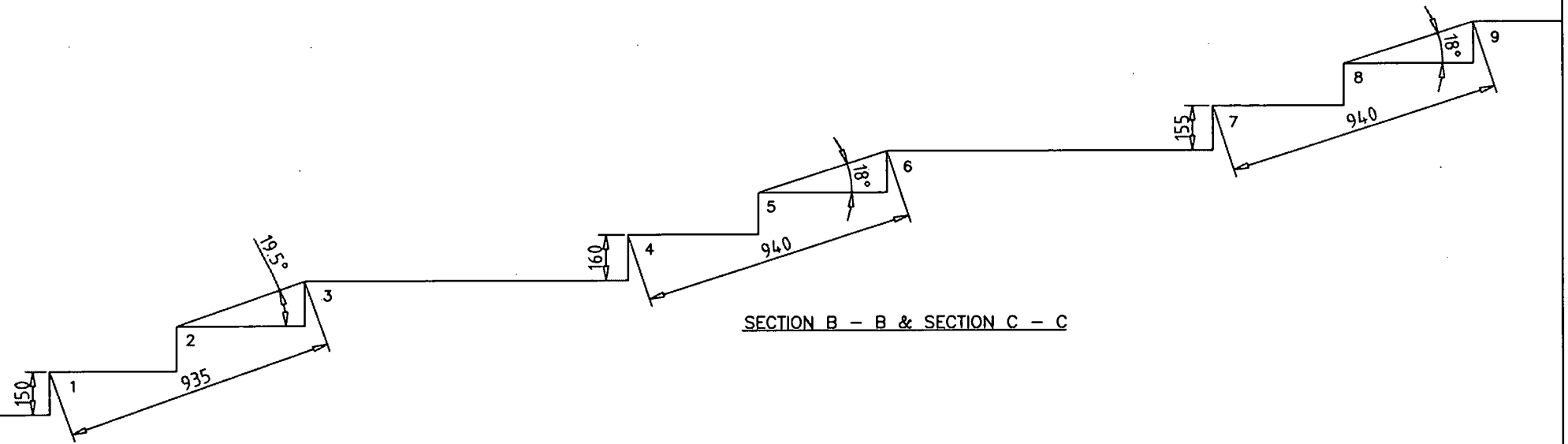
REV. A - CUT DIMS ADDED
& BALUSTRADE REMOVED

PROJECT:

CAIRNGORM FUNICULAR
RAILWAY
BOTTOM STATION

SEE DWG. No. 857/9

JOB No. 8750	REV.	MATERIAL:	
DRG No: 857/8	A	AS SHOWN	
DRAWN BY	DATE	SCALE	COLOUR: GALVANISED
	10.04.01	1:20	CHECKED:





LOWER HARBOUR
PERTH PH2 8BB
TEL:01738 624158
& 631194
FAX:01738 633814
E.MAIL: office@mcgarrie.net

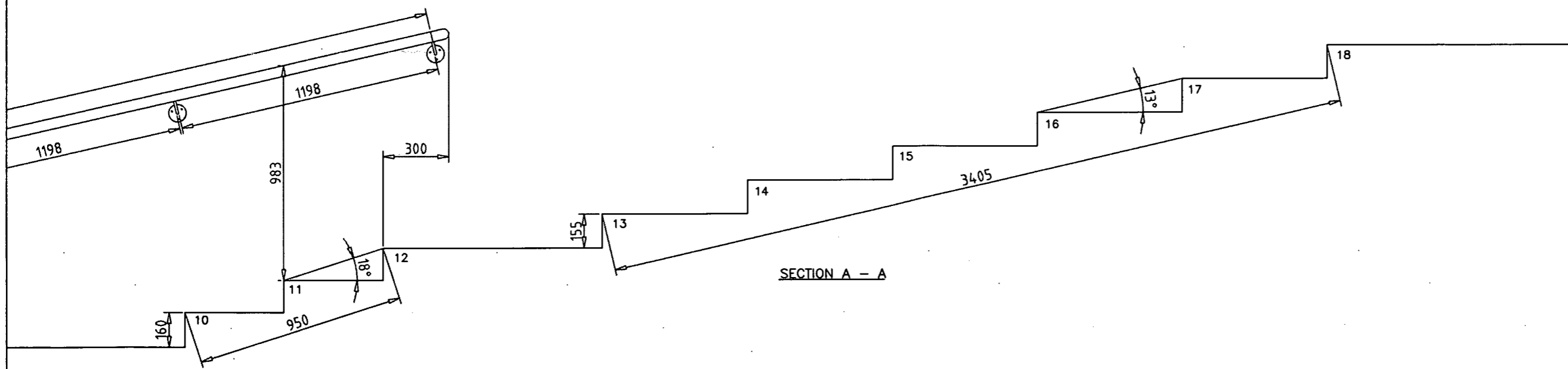
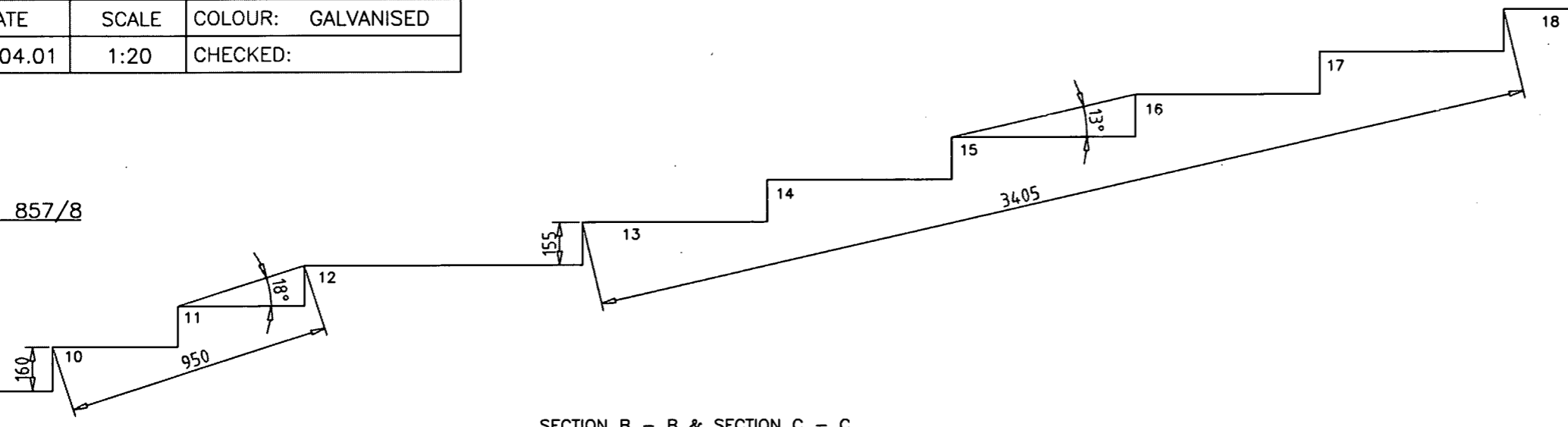
REV. A - CUT DIMS ADDED
& BALUSTRADE REMOVED

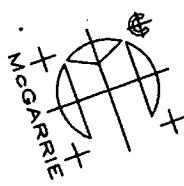
PROJECT:
CAIRNGORM FUNICULAR
RAILWAY
BOTTOM STATION

JOB No. 8750	REV.	MATERIAL:
DRG No: 857/9	A	AS SHOWN
DRAWN BY	DATE	SCALE
█	10.04.01	1:20
		CHECKED:

SEE DWG. No. 857/8

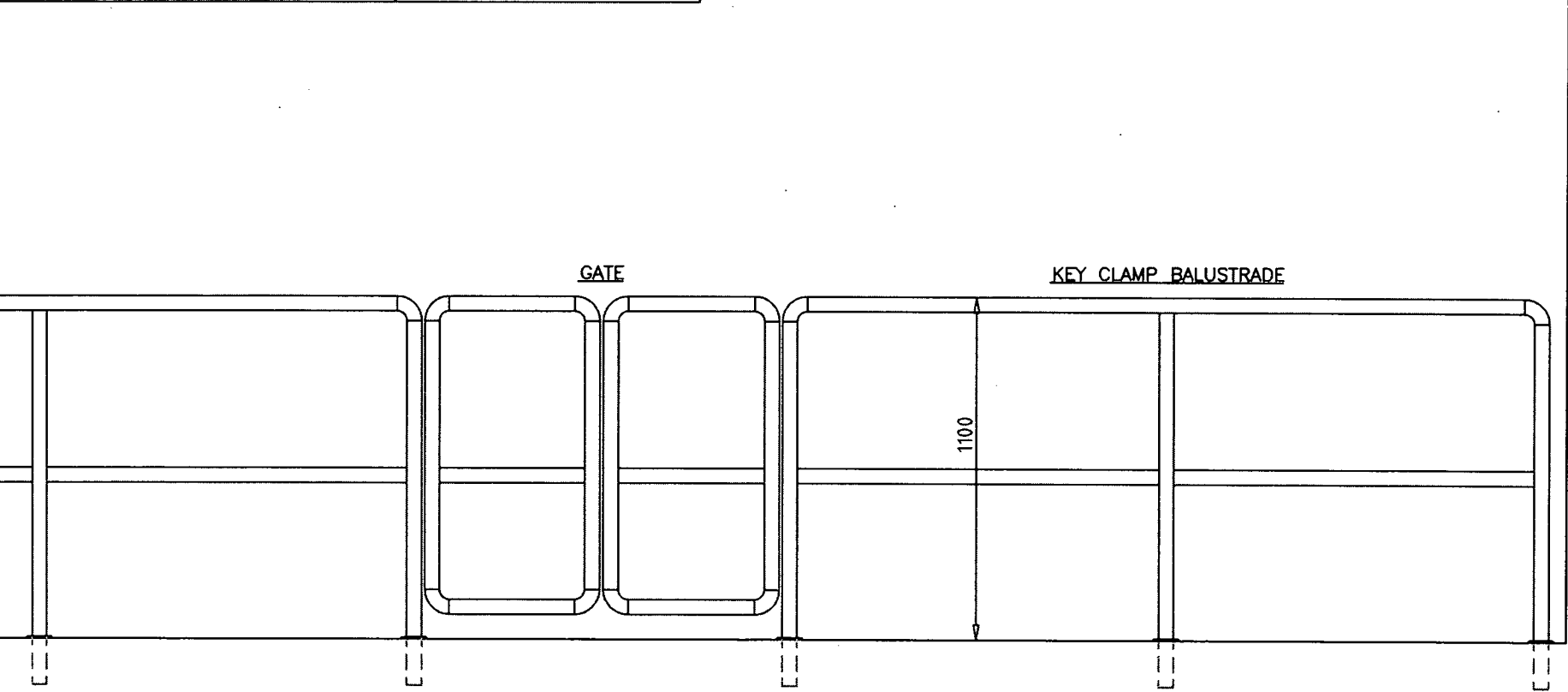
SEE DWG. No. 857/10




 LOWER HARBOUR
 PERTH PH2 8BB
 TEL:01738 624158
 & 631194
 FAX:01738 633814
 E.MAIL: office@mcgarrie.net

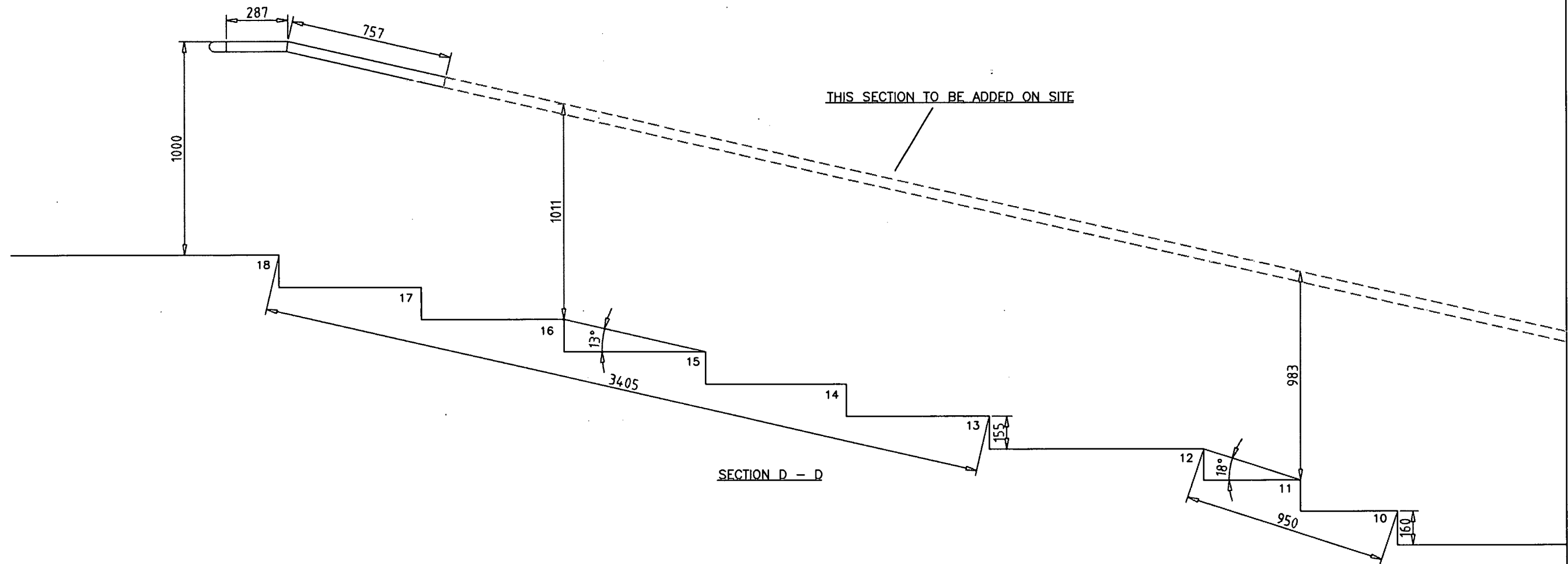
PROJECT:
 CAIRNGORM FUNICULAR
 RAILWAY
 BOTTOM STATION

JOB No. 8750	REV.	MATERIAL:
DRG No: 857/10		AS SHOWN
DRAWN BY	DATE	SCALE
█	10.04.01	1:20
		COLOUR: GALVANISED
		CHECKED:

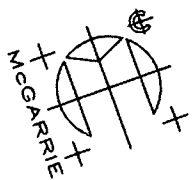


SECTION B - B & SECTION C - C

SEE DWG. No. 857/9



SEE DWG. No. 857/12

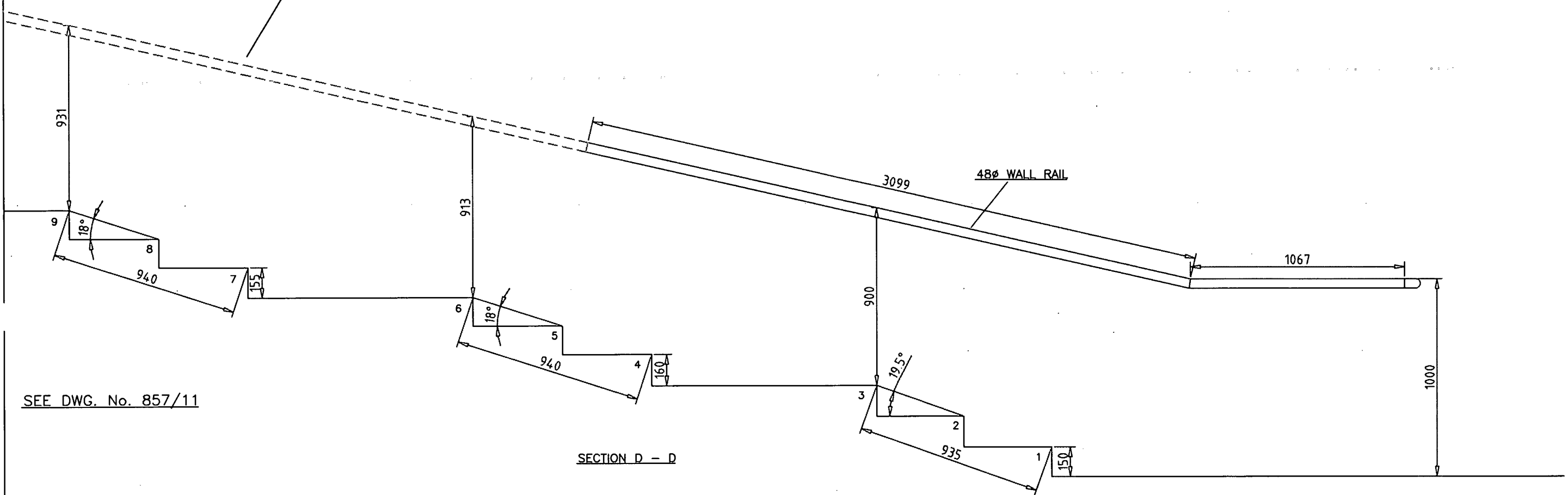

 LOWER HARBOUR
 PERTH PH2 8BB
 TEL: 01738 624158
 & 631194
 FAX: 01738 633814
 E.MAIL: office@mcgarrie.net

PROJECT:
 CAIRNGORM FUNICULAR
 RAILWAY
 BOTTOM STATION

MATERIAL:	AS SHOWN	JOB No. 8750	REV.
COLOUR:	GALVANISED	DRG No: 857/11	A
CHECKED:		DRAWN BY	DATE
			10.04.01
			SCALE
			1:20

REV. A - CUT DIMS ADDED

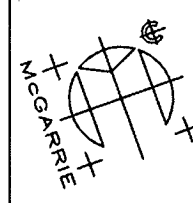
THIS SECTION TO BE ADDED ON SITE



SEE DWG. No. 857/11

SECTION D - D

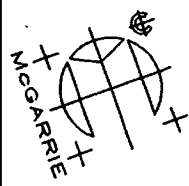
WALLRAIL BRACKETS TO BE ADDED
ON SITE TO SUIT MULLION
POSITION OF SCREENS


 LOWER HARBOUR
 PERTH PH2 8BB
 TEL:01738 624158
 & 631194
 FAX:01738 633814
 E.MAIL: office@mcgarrie.net

PROJECT:
 CAIRNGORM FUNICULAR
 RAILWAY
 BOTTOM STATION

MATERIAL: AS SHOWN	JOB No. 8750	REV.
	DRG No: 857/12	A
COLOUR: GALVANISED	DRAWN BY	DATE
CHECKED:		10.04.01
		SCALE
		1:20

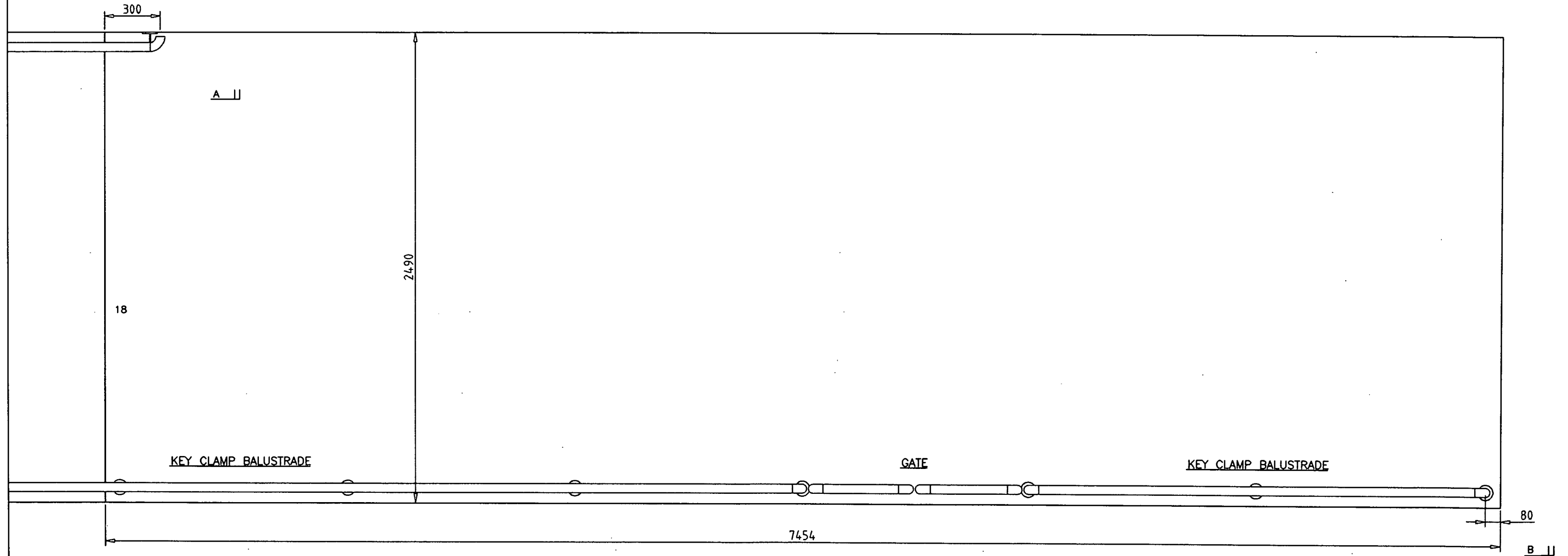
REV. A - CUT DIMS ADDED

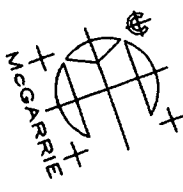

 LOWER HARBOUR
 PERTH PH2 8BB
 TEL:01738 624158
 & 631194
 FAX:01738 633814
 E.MAIL: office@mcgarrie.net

PROJECT:
 CAIRNGORM FUNICULAR
 RAILWAY
 BOTTOM STATION

JOB No. 8750	REV.	MATERIAL:
DRG No: 857/13		AS SHOWN
DRAWN BY	DATE	SCALE
█	10.04.01	1:20
		COLOUR: GALVANISED
		CHECKED:

SEE DWG. No. 857/14



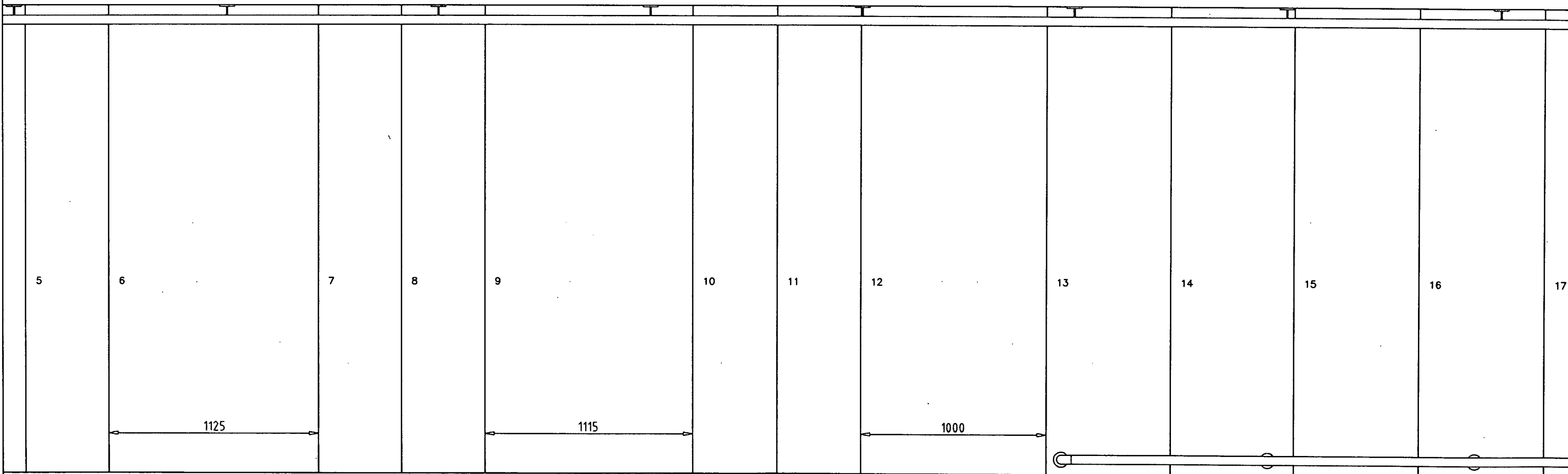

 LOWER HARBOUR
 PERTH PH2 8BB
 TEL:01738 624158
 & 631194
 FAX:01738 633814
 E.MAIL: office@mcgarrie.net

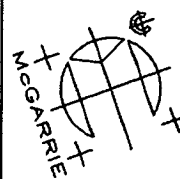
PROJECT:
 CAIRNGORM FUNICULAR
 RAILWAY
 BOTTOM STATION

JOB No. 8750	REV.	MATERIAL:
DRG No: 857/14		AS SHOWN
DRAWN BY	DATE	SCALE
█	10.04.01	1:20
		COLOUR: GALVANISED
		CHECKED:

SEE DWG. No. 857/15

SEE DWG. No. 857/13

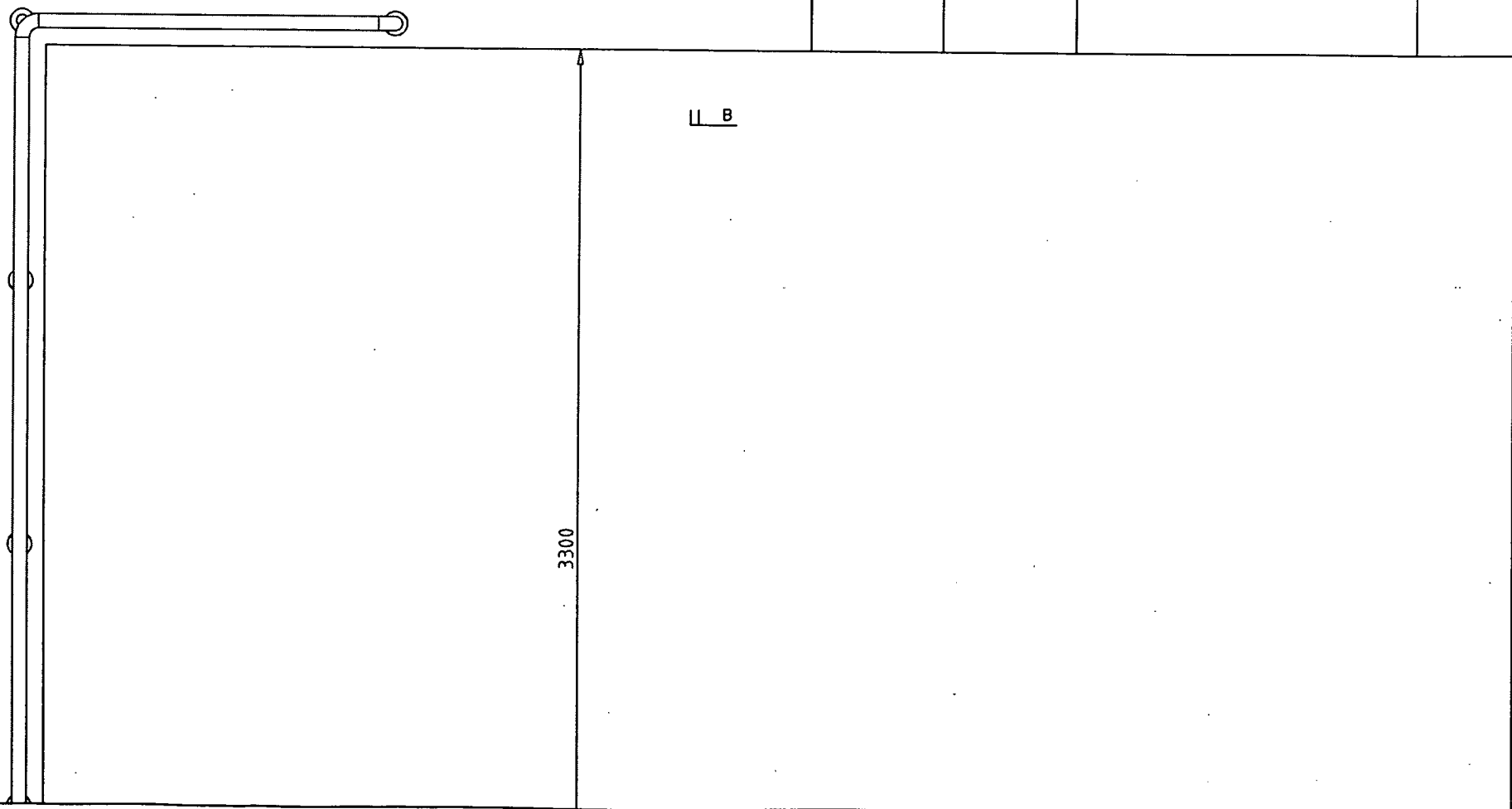
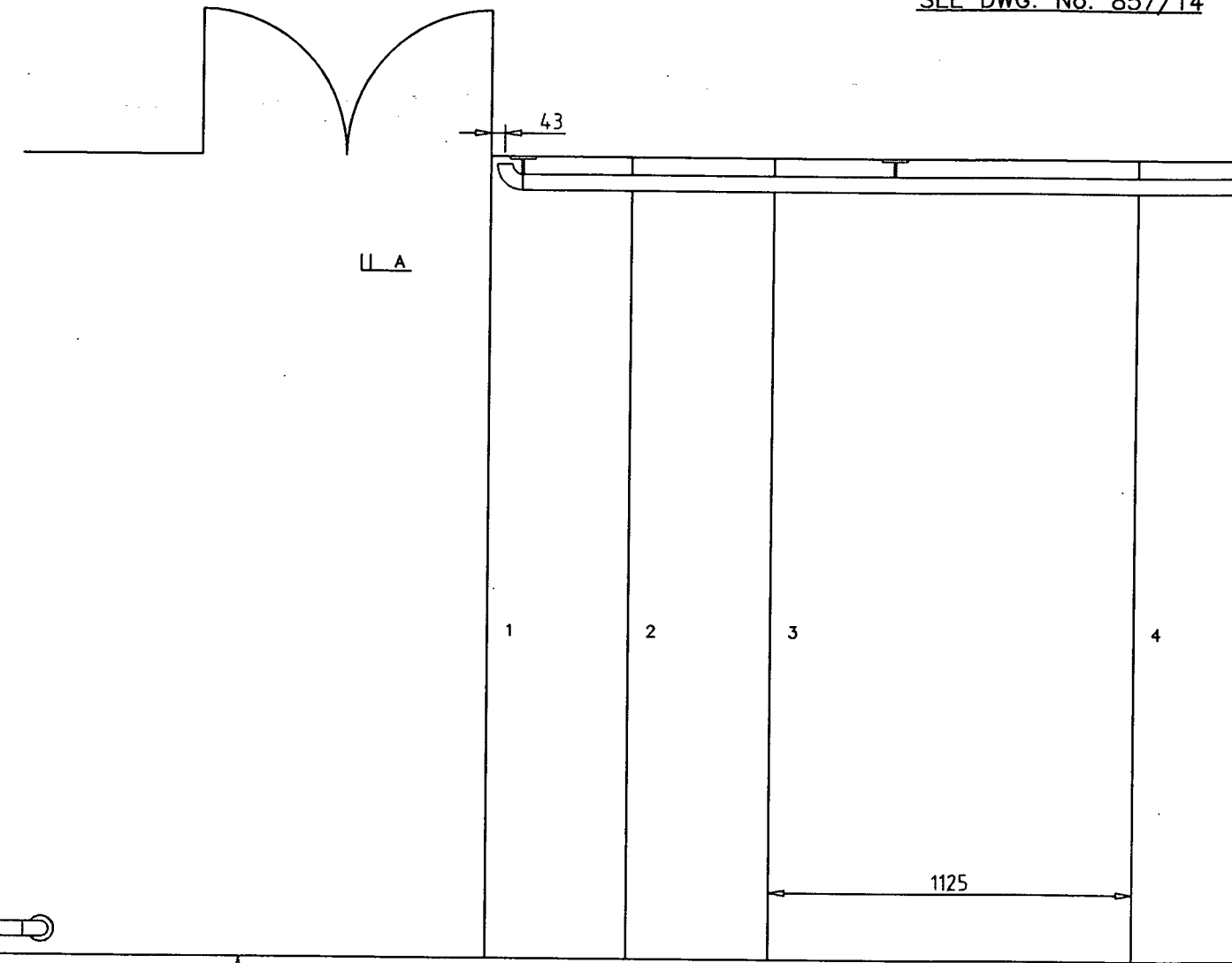



 LOWER HARBOUR
 PERTH PH2 8BB
 TEL:01738 624158
 & 631194
 FAX:01738 633814
 E.MAIL: office@mcgarrie.net

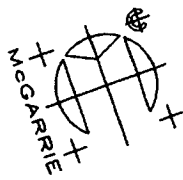
SEE DWG. No. 857/14

PROJECT:
 CAIRNGORM FUNICULAR
 RAILWAY
 BOTTOM STATION

JOB No. 8750	REV.	MATERIAL:
DRG No: 857/15		AS SHOWN
DRAWN BY	DATE	SCALE
	10.04.01	1:20
		COLOUR: GALVANISED
		CHECKED:



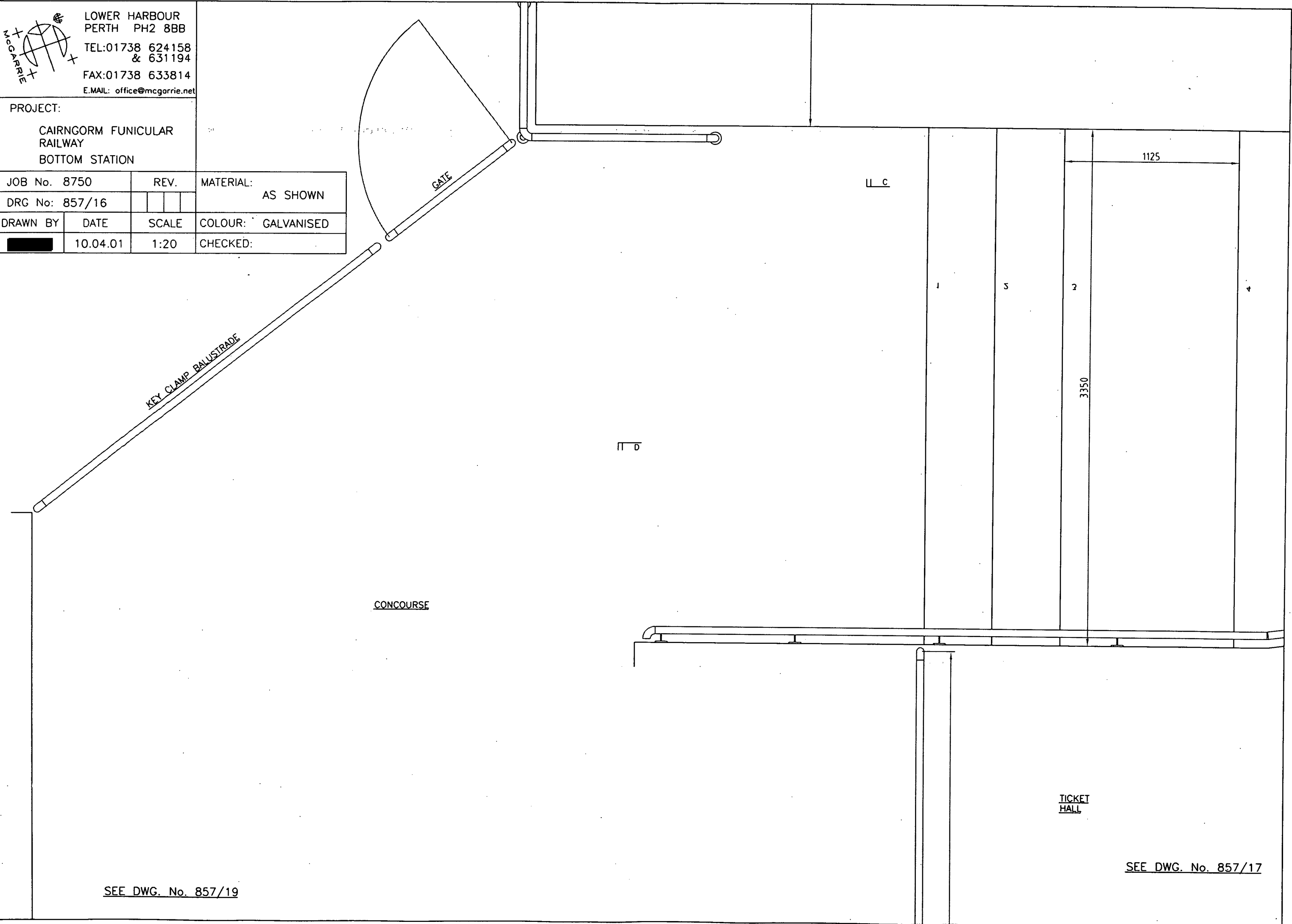
KEY CLAMP BALUSTRADE



LOWER HARBOUR
 PERTH PH2 8BB
 TEL:01738 624158
 & 631194
 FAX:01738 633814
 E.MAIL: office@mcgarrie.net

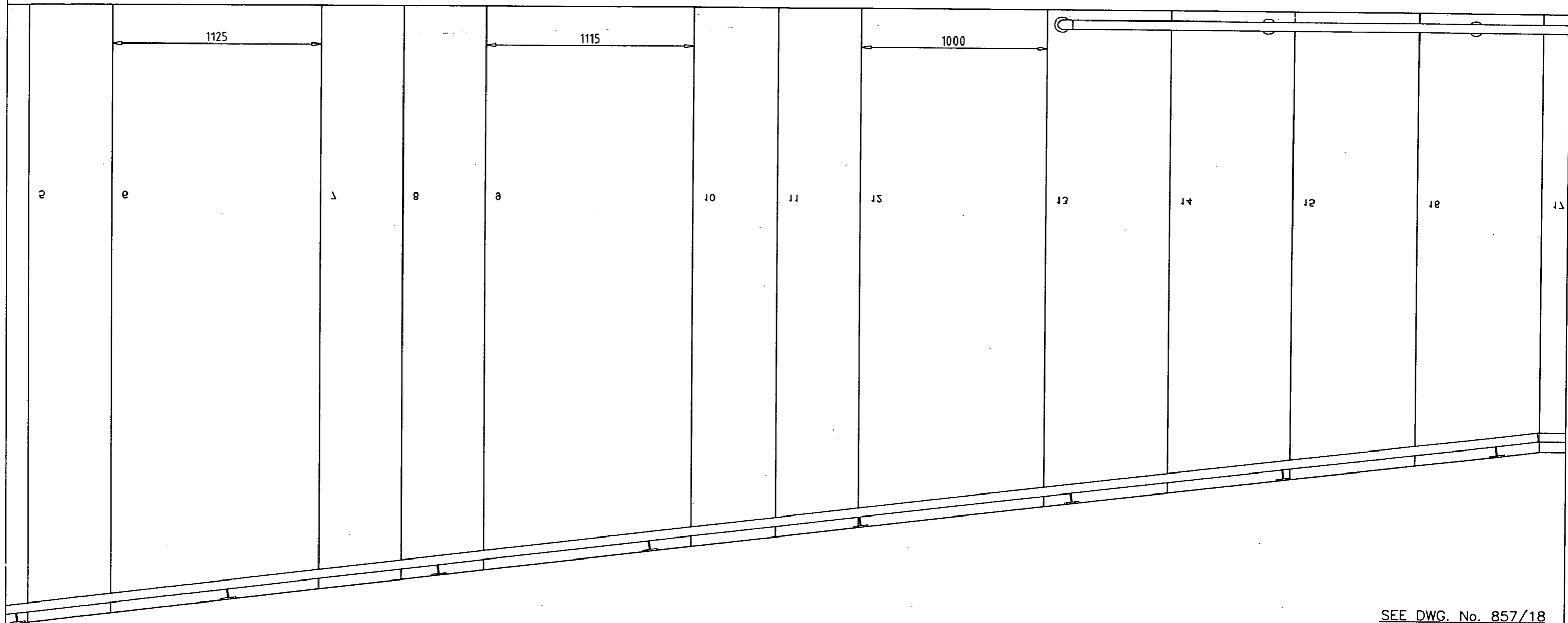
PROJECT:
 CAIRNGORM FUNICULAR
 RAILWAY
 BOTTOM STATION

JOB No. 8750	REV.	MATERIAL:
DRG No: 857/16		AS SHOWN
DRAWN BY	DATE	SCALE
	10.04.01	1:20
		COLOUR: GALVANISED
		CHECKED:

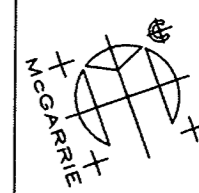


SEE DWG. No. 857/19

SEE DWG. No. 857/17



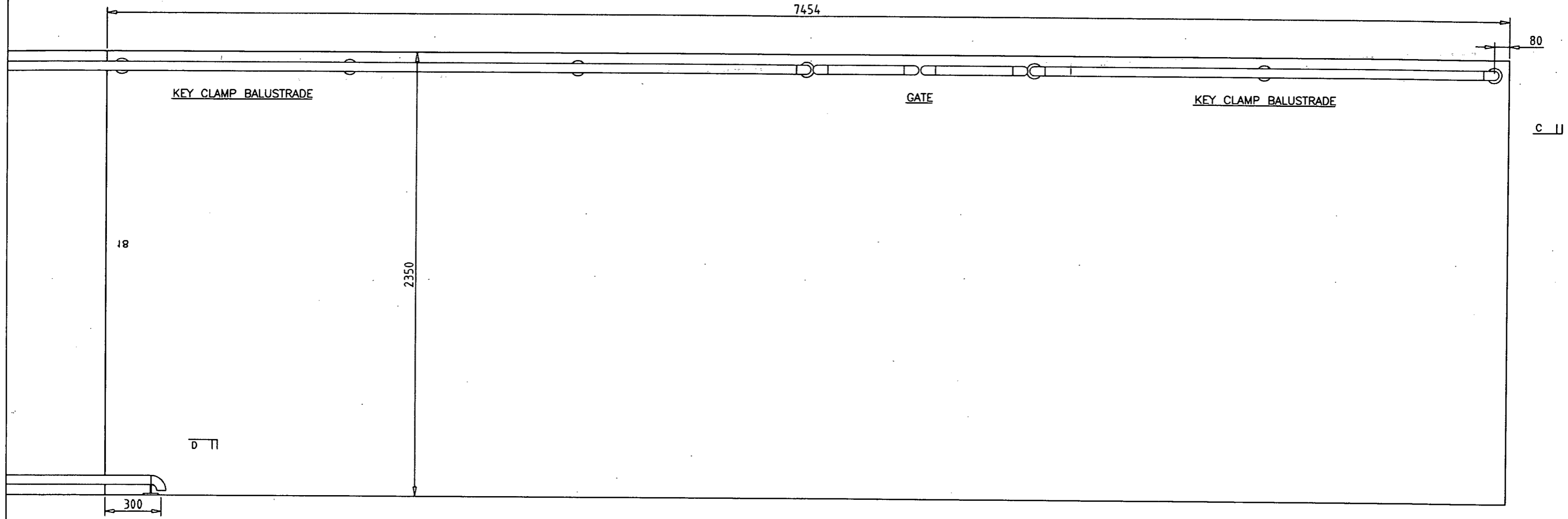
SEE DWG. No. 857/18


 LOWER HARBOUR
 PERTH PH2 8BB
 TEL: 01738 624158
 & 631194
 FAX: 01738 633814
 E.MAIL: office@mcgarrie.net

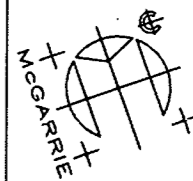
PROJECT:
 CAIRNGORM FUNICULAR
 RAILWAY
 BOTTOM STATION

SEE DWG. No. 857/16

MATERIAL: AS SHOWN	JOB No. 8750	REV.
	DRG No: 857/17	
COLOUR: GALVANISED	DRAWN BY	DATE
CHECKED:		10.04.01
		1:20



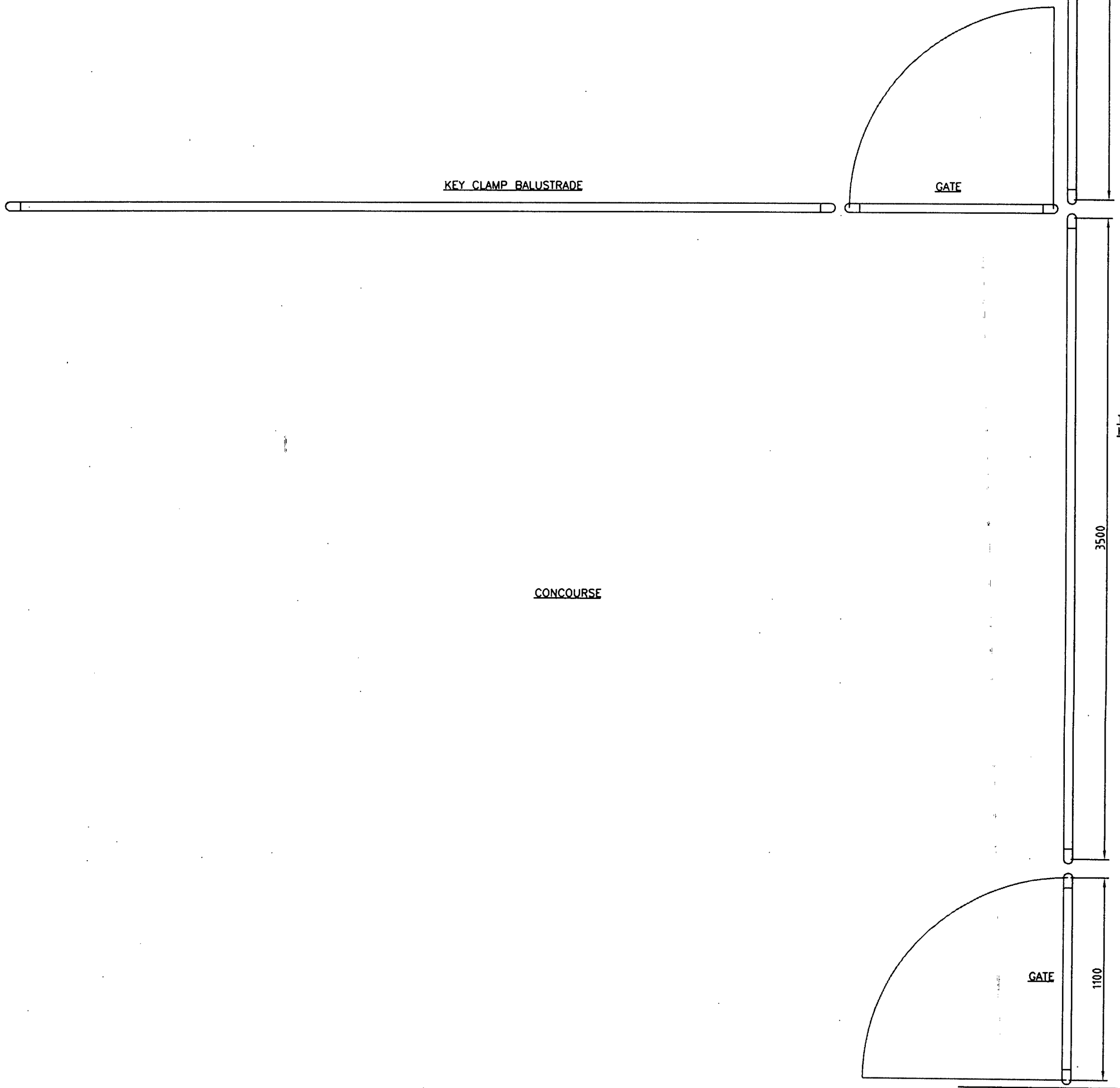
SEE DWG. No. 857/17

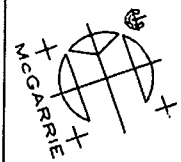

 LOWER HARBOUR
 PERTH PH2 8BB
 TEL:01738 624158
 & 631194
 FAX:01738 633814
 E.MAIL: office@mcgarrie.net

PROJECT:
 CAIRNGORM FUNICULAR
 RAILWAY
 BOTTOM STATION

MATERIAL:	AS SHOWN	JOB No. 8750		REV.
		DRG No: 857/18		
COLOUR:	GALVANISED	DRAWN BY	DATE	SCALE
CHECKED:			10.04.01	1:20

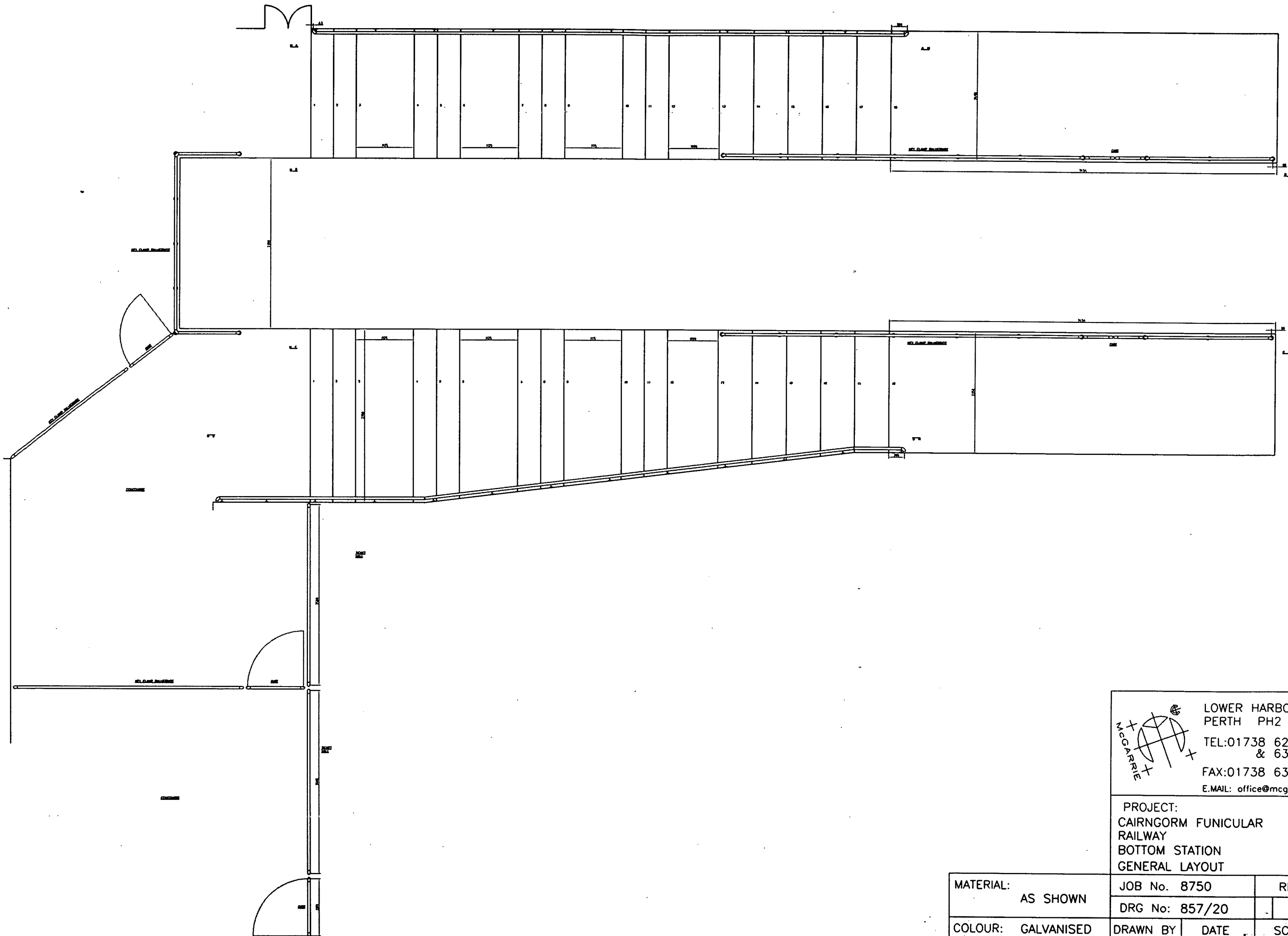
SEE DWG. No. 857/16

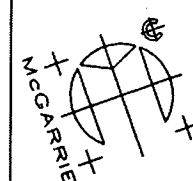



 LOWER HARBOUR
 PERTH PH2 8BB
 TEL:01738 624158
 & 631194
 FAX:01738 633814
 E.MAIL: office@mcgarrie.net

PROJECT:
 CAIRNGORM FUNICULAR
 RAILWAY
 BOTTOM STATION

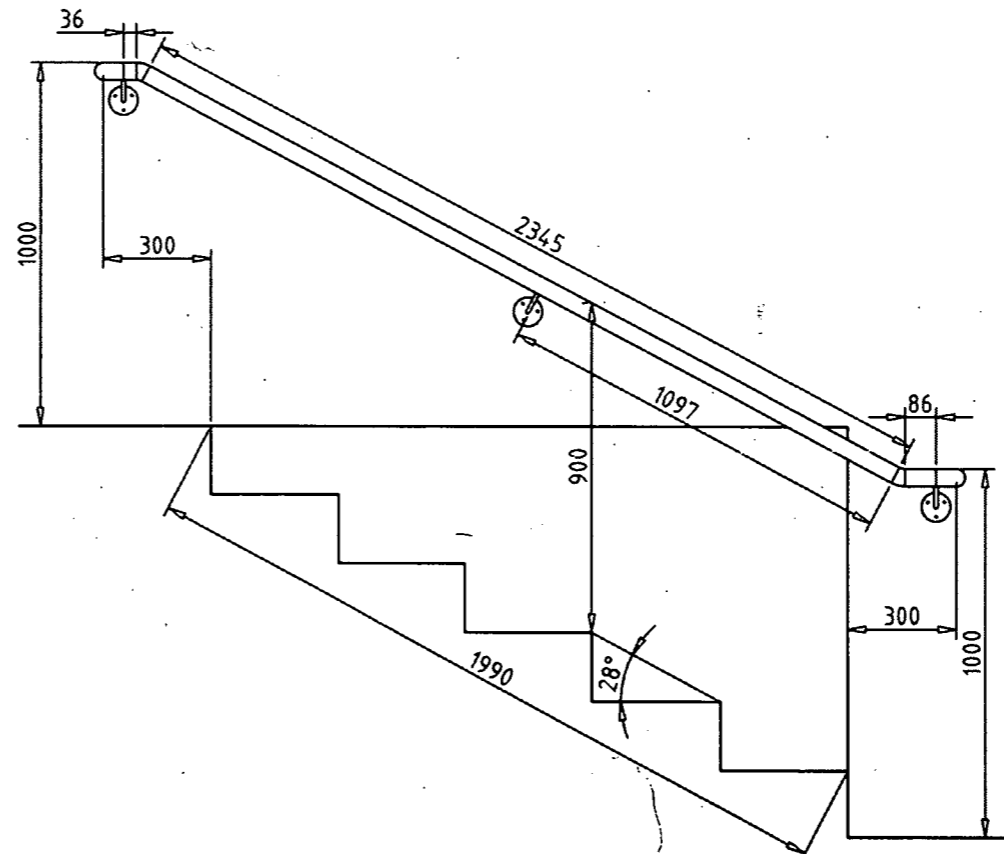
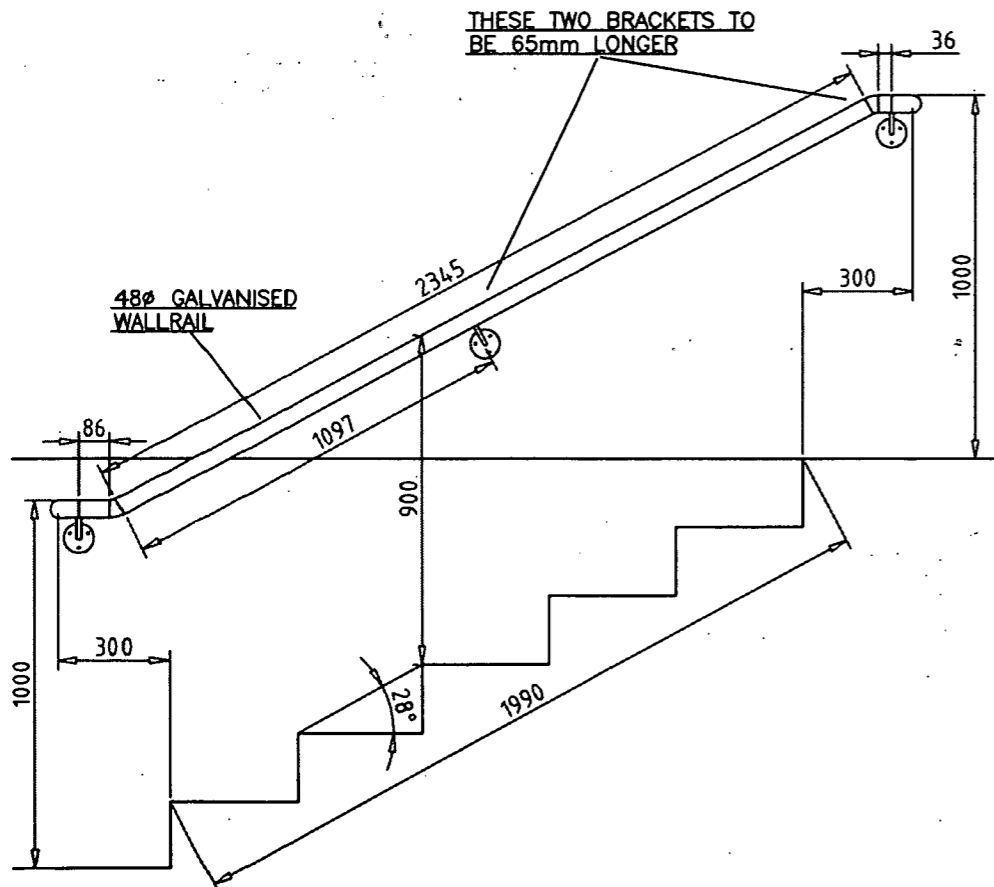
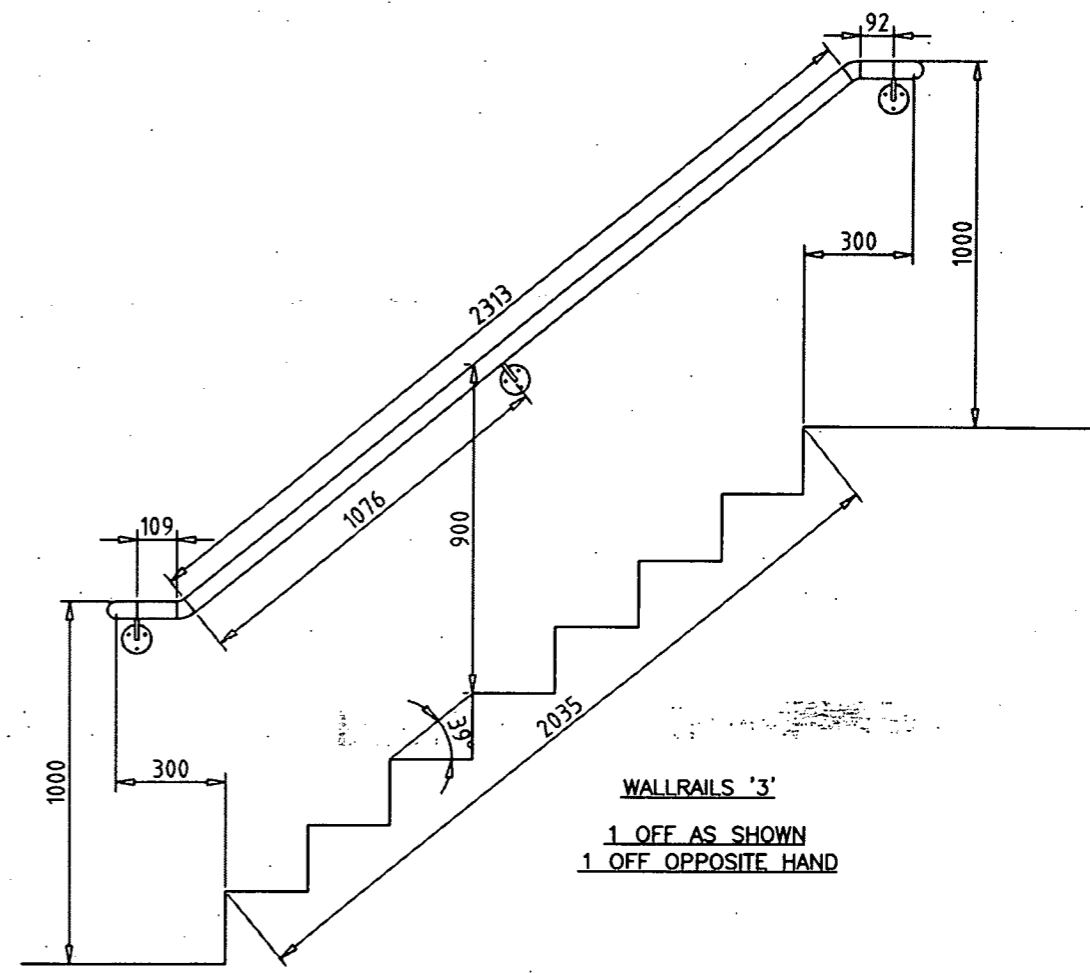
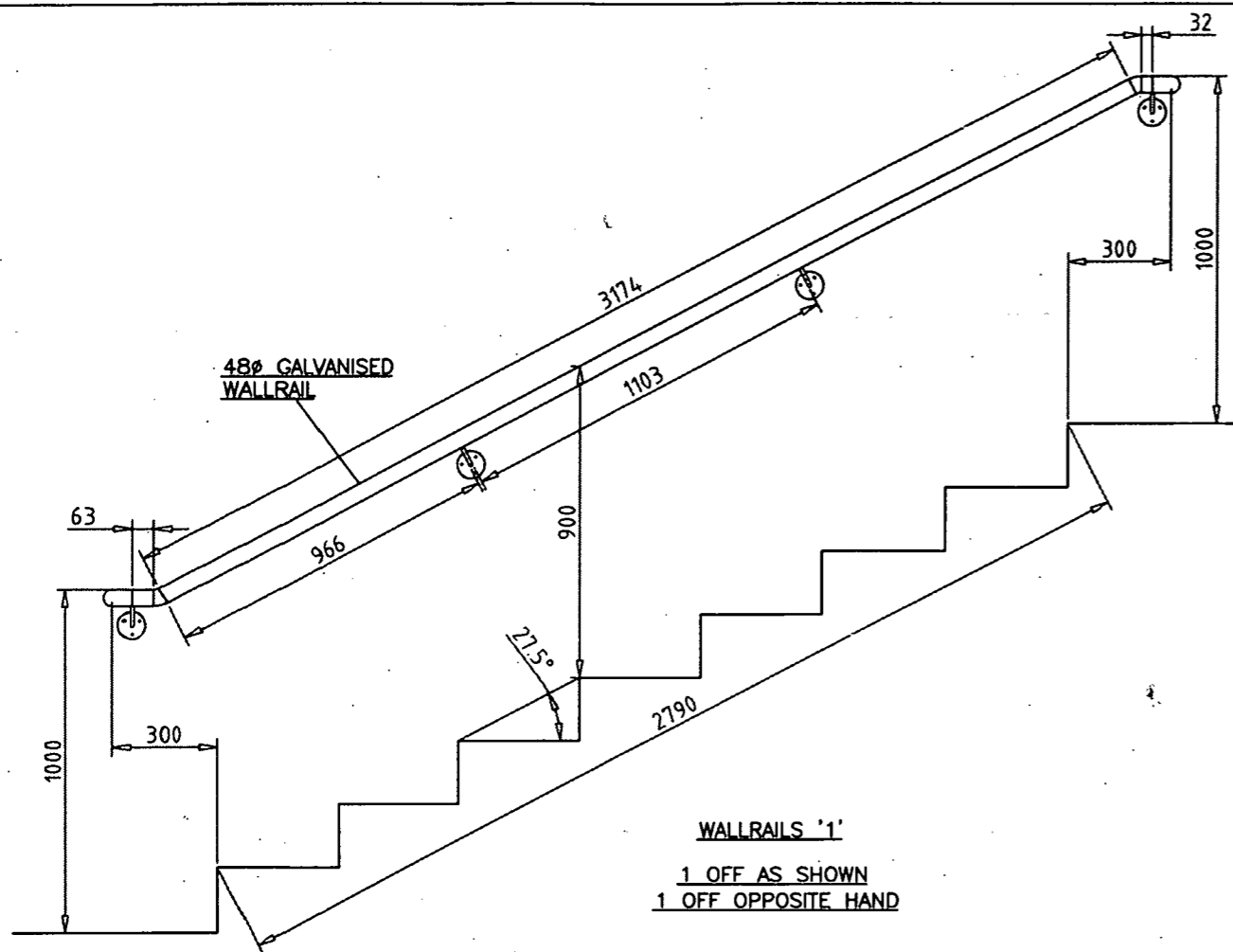
MATERIAL:	AS SHOWN	JOB No. 8750	REV.
COLOUR:	GALVANISED	DRG No: 857/19	
CHECKED:		DRAWN BY	DATE
			10.04.01
			SCALE
			1:20

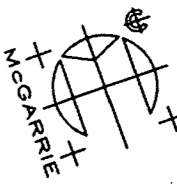



 LOWER HARBOUR
 PERTH PH2 8BB
 TEL:01738 624158
 & 631194
 FAX:01738 633814
 E.MAIL: office@mcgorrie.net

PROJECT:
 CAIRNGORM FUNICULAR
 RAILWAY
 BOTTOM STATION
 GENERAL LAYOUT

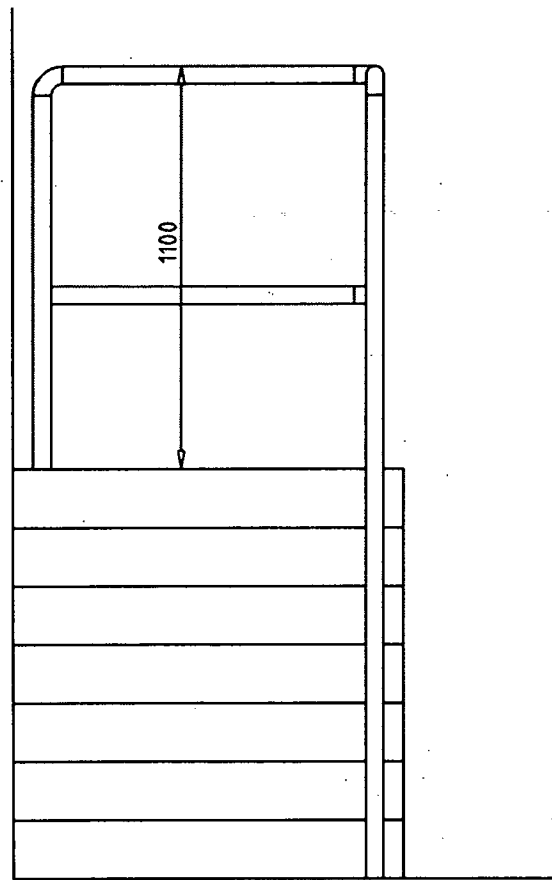
MATERIAL:	AS SHOWN	JOB No. 8750	REV.
		DRG No: 857/20	
COLOUR:	GALVANISED	DRAWN BY	DATE
CHECKED:			SCALE
		10.04.01	N.T.S.



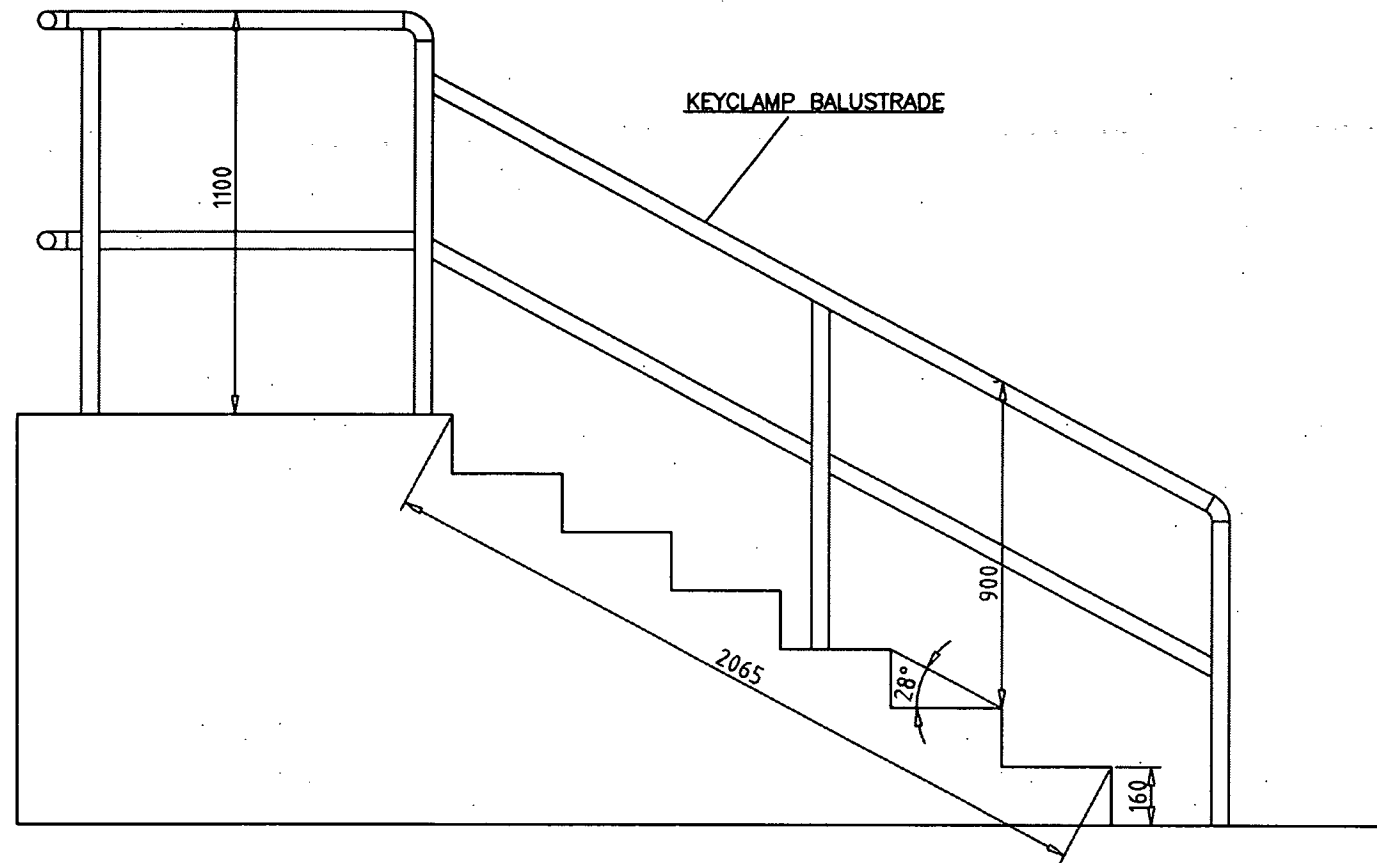

 LOWER HARBOUR
 PERTH PH2 8BB
 TEL:01738 624158
 & 631194
 FAX:01738 633814
 E.MAIL: office@mcgarrie.net

PROJECT:
CAIRNGORM FUNICULAR RAILWAY

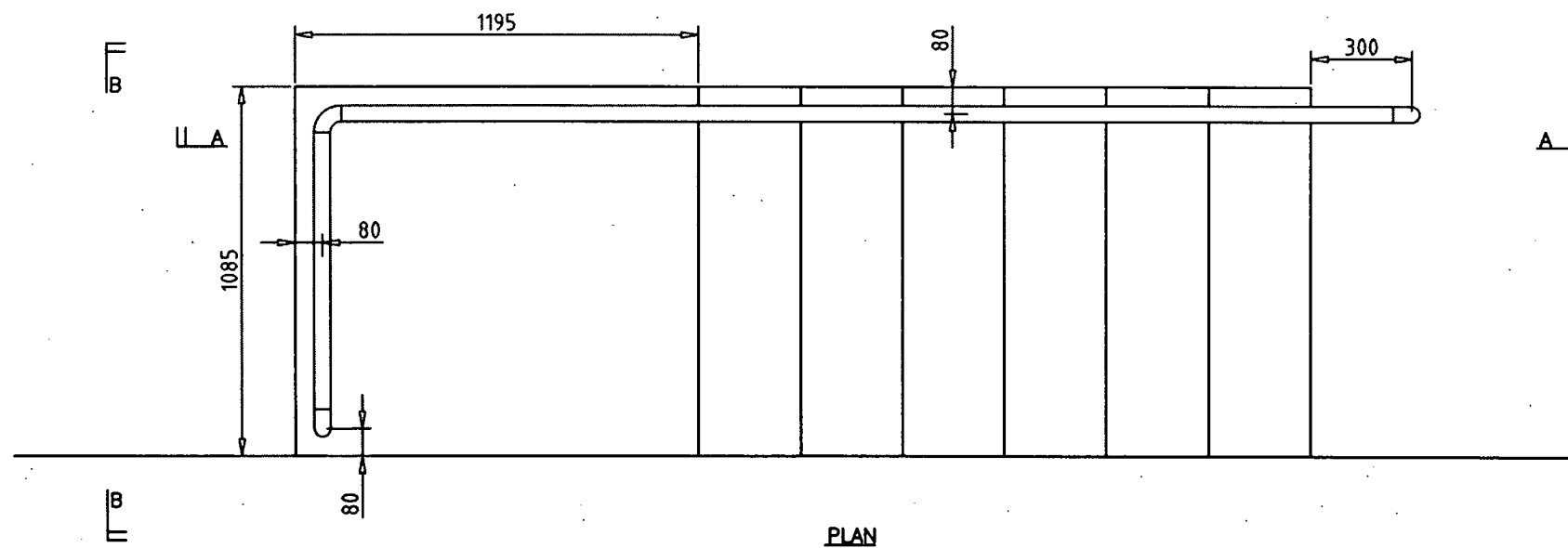
MATERIAL:	AS SHOWN	JOB No. 8750	REV.
COLOUR:	GALVANISED	DRG No: 857/21	
CHECKED:		DRAWN BY	DATE
			05.07.01
			SCALE
			1:20



SECTION B - B

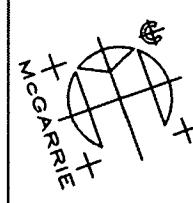


SECTION A - A



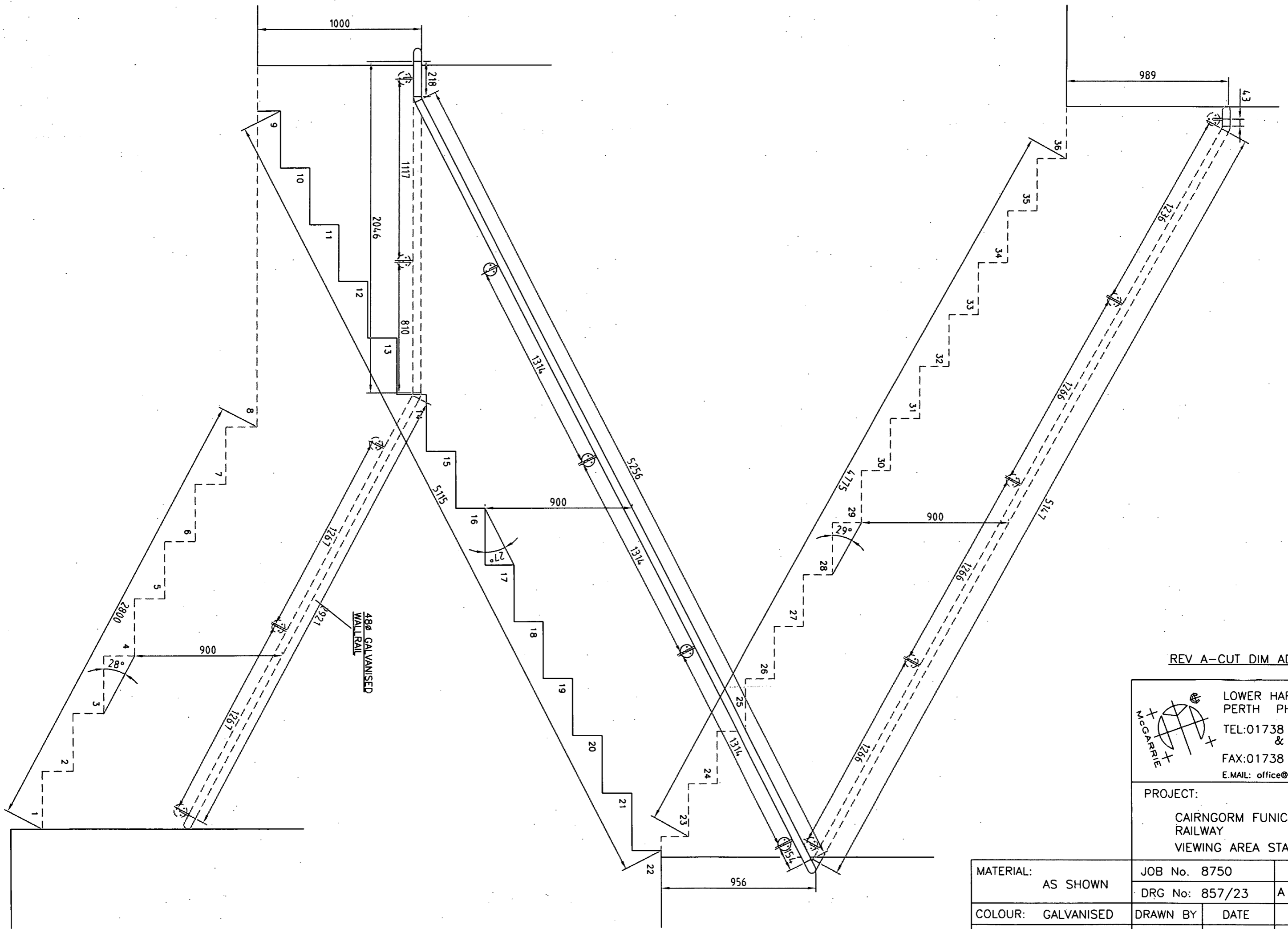
PLAN

BALUSTRADE '4'



 LOWER HARBOUR
 PERTH PH2 8BB
 TEL: 01738 624158
 & 631194
 FAX: 01738 633814
 E.MAIL: office@mcgarrie.net

PROJECT:
 CAIRNGORM FUNICULAR
 RAILWAY

MATERIAL:	AS SHOWN	JOB No. 8750	REV.
COLOUR:	GALVANISED	DRG No: 857/22	
CHECKED:		DRAWN BY	DATE
			05.07.01
			SCALE
			1:20

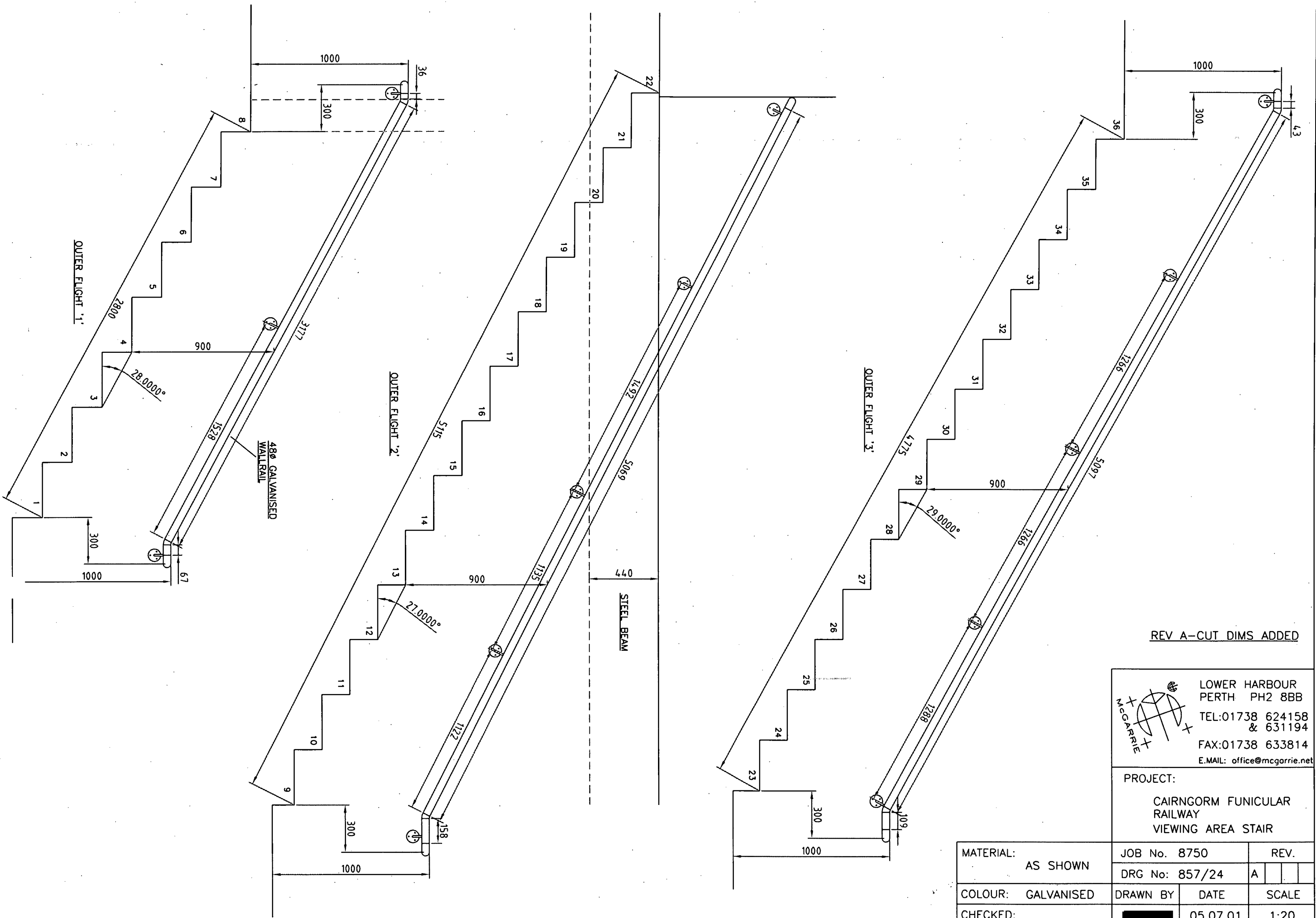


REV A-CUT DIM ADDED

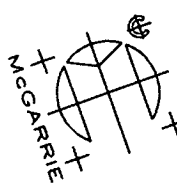

 LOWER HARBOUR
 PERTH PH2 8BB
 TEL:01738 624158
 & 631194
 FAX:01738 633814
 E.MAIL: office@mcgorrie.net

PROJECT:
 CAIRNGORM FUNICULAR
 RAILWAY
 VIEWING AREA STAIR

MATERIAL:	AS SHOWN	JOB No. 8750	REV.
COLOUR:	GALVANISED	DRG No: 857/23	A
CHECKED:		DRAWN BY	DATE
			05.07.01
			SCALE
			1:20

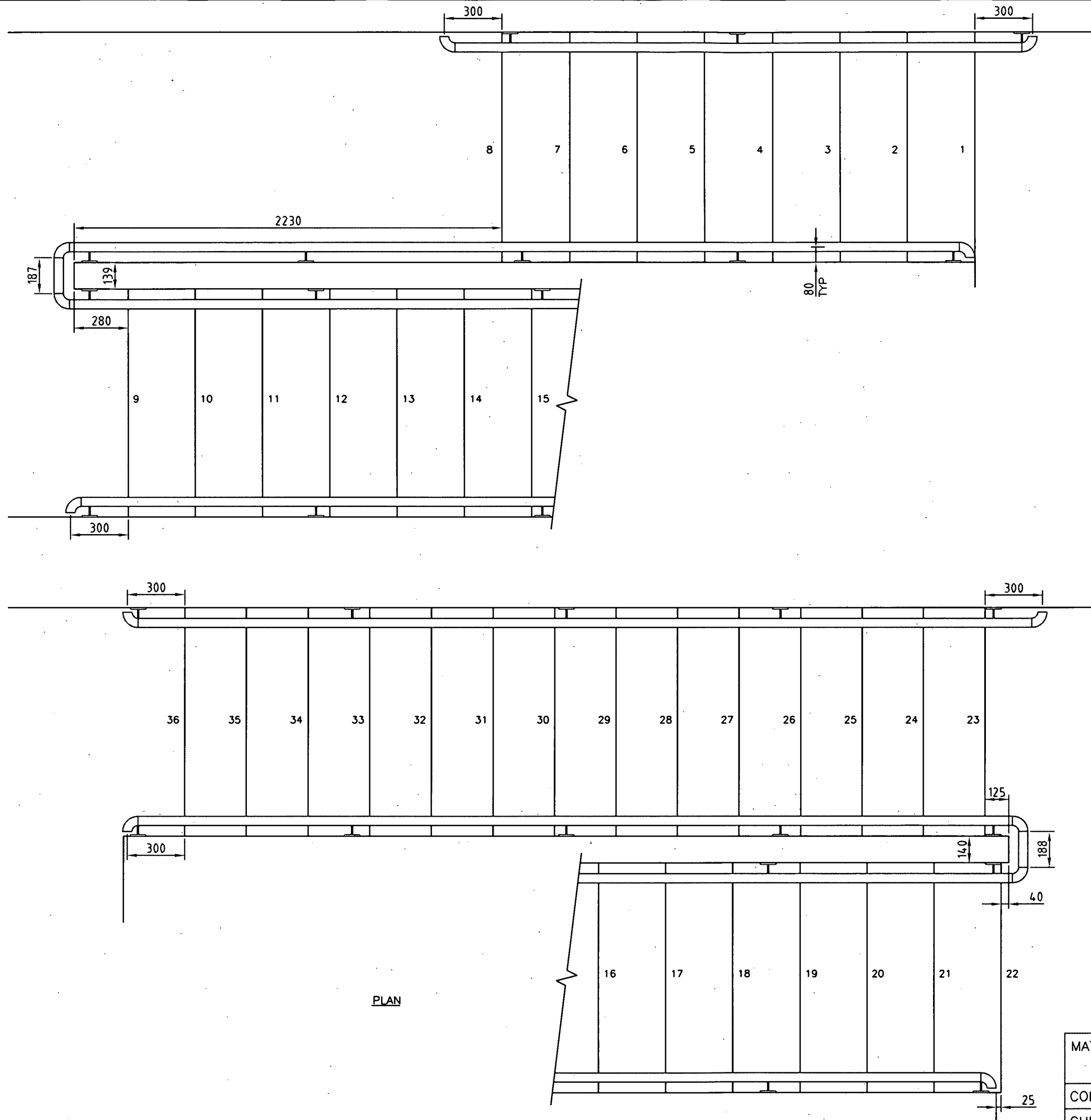


REV A-CUT DIMS ADDED

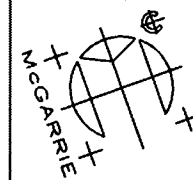

 LOWER HARBOUR
 PERTH PH2 8BB
 TEL:01738 624158
 & 631194
 FAX:01738 633814
 E.MAIL: office@mcgorrie.net

PROJECT:
 CAIRNGORM FUNICULAR
 RAILWAY
 VIEWING AREA STAIR

MATERIAL:	AS SHOWN	JOB No. 8750	REV.
COLOUR:	GALVANISED	DRG No: 857/24	A
CHECKED:		DRAWN BY	DATE
			05.07.01
			SCALE
			1:20

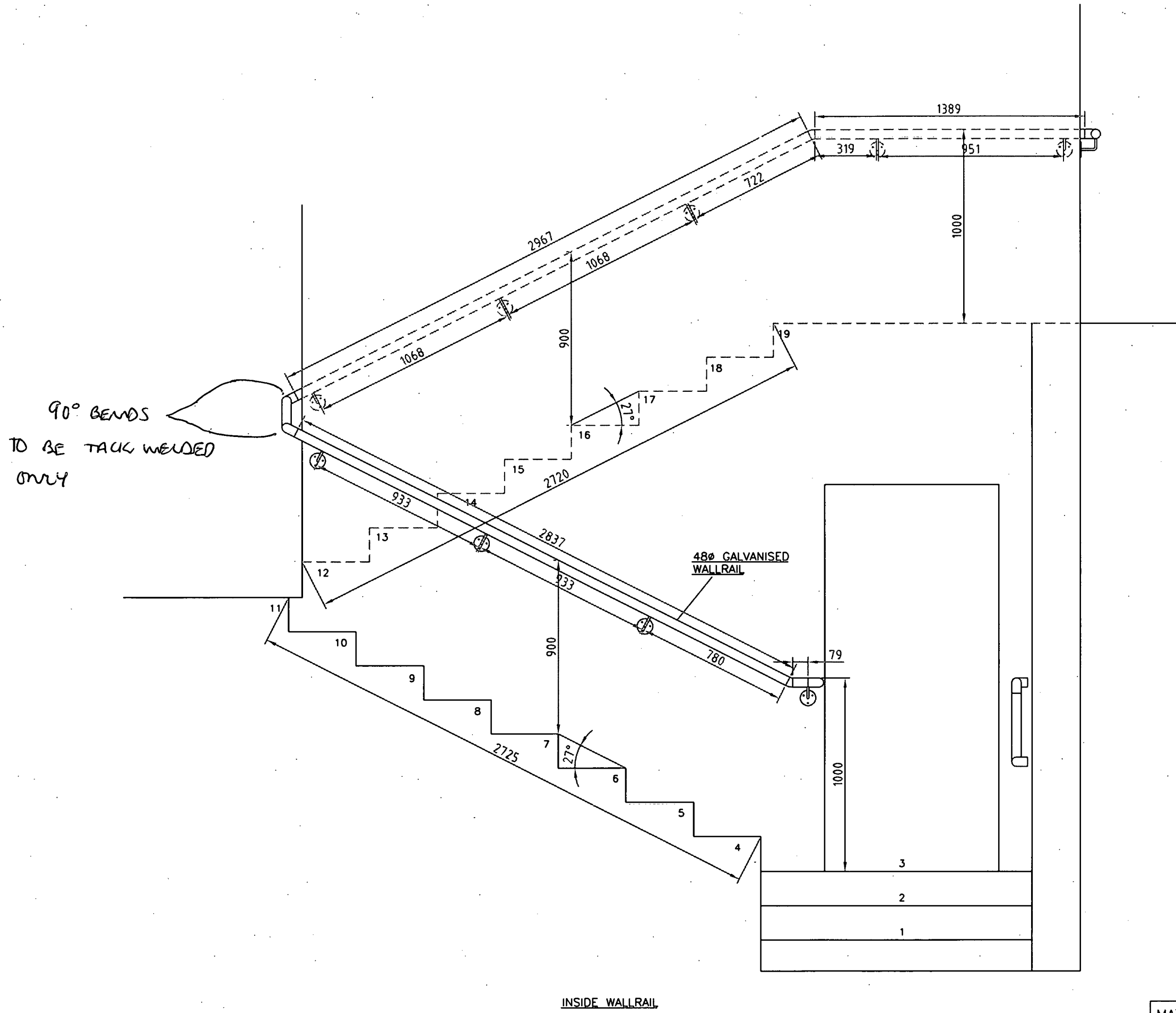


REV A-CUT DIMS ADDED

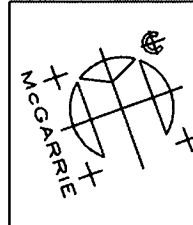

 LOWER HARBOUR
 PERTH PH2 8BB
 TEL: 01738 624158
 & 631194
 FAX: 01738 633814
 E.MAIL: office@mcgorrie.net

PROJECT:
 CAIRNGORM FUNICULAR
 RAILWAY
 VIEWING AREA STAIR

MATERIAL: AS SHOWN	JOB No. 8750	REV.	
	DRG No: 857/25	A	
COLOUR: GALVANISED	DRAWN BY	DATE	SCALE
CHECKED:		05.07.01	1:20

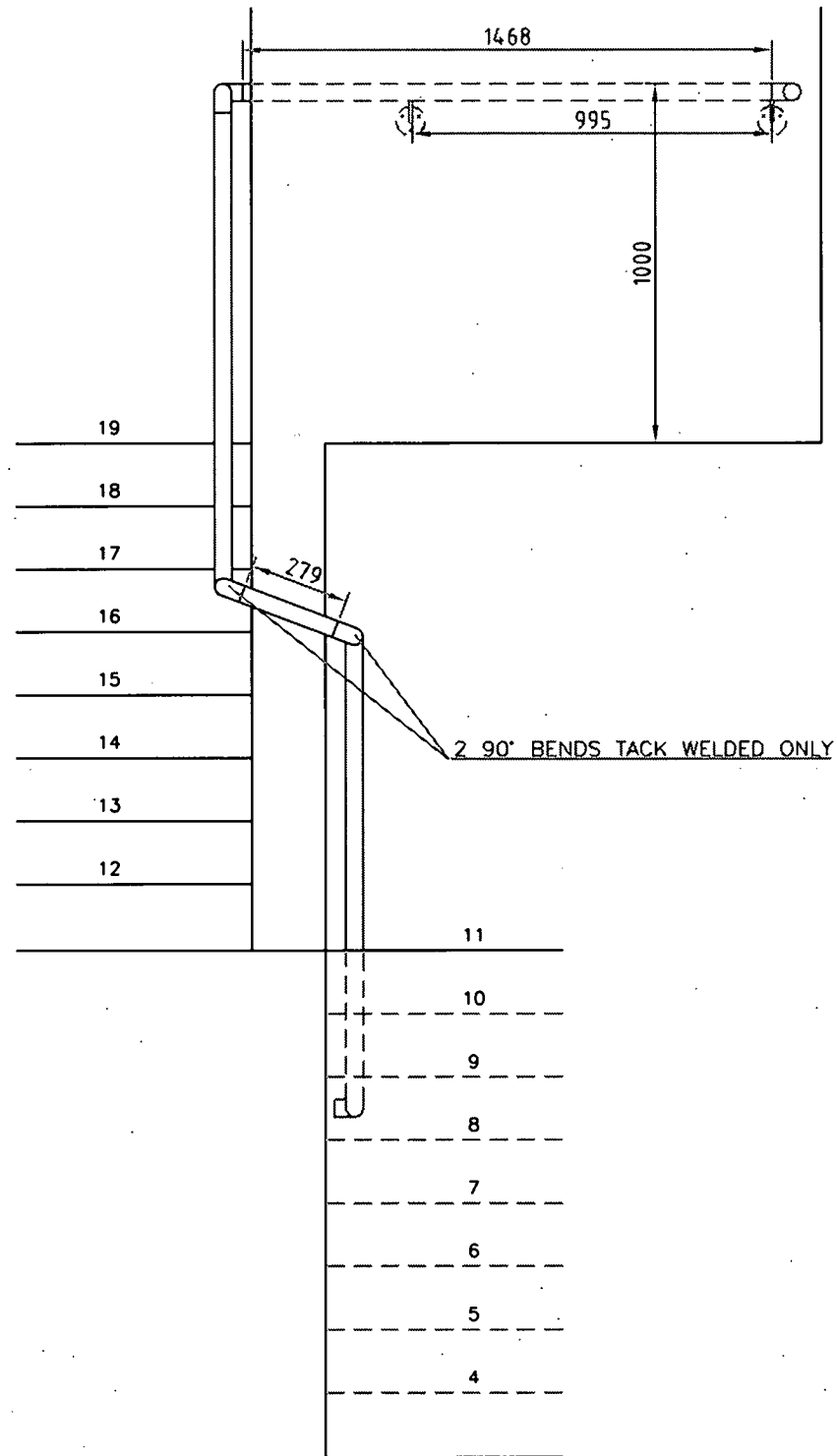


REV A-CUT DIMS ADDED

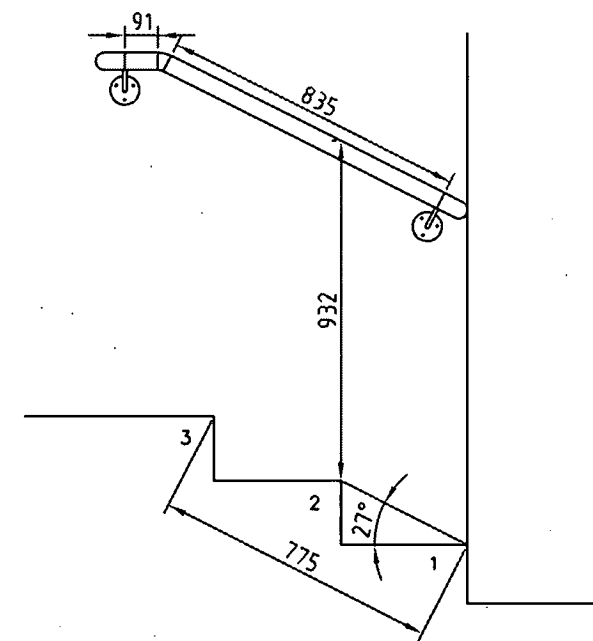

 LOWER HARBOUR
 PERTH PH2 8BB
 TEL:01738 624158
 & 631194
 FAX:01738 633814
 E.MAIL: office@mcgarrie.net

PROJECT:
 CAIRNGORM FUNICULAR
 RAILWAY
 MAIN STAIR

MATERIAL:	AS SHOWN	JOB No. 8750	REV.
COLOUR:	GALVANISED	DRG No: 857/26	A
CHECKED:		DRAWN BY	DATE
			05.07.01
			SCALE
			1:20

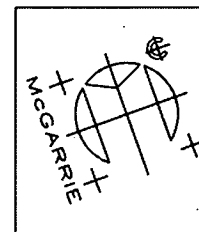


INSIDE WALLRAIL



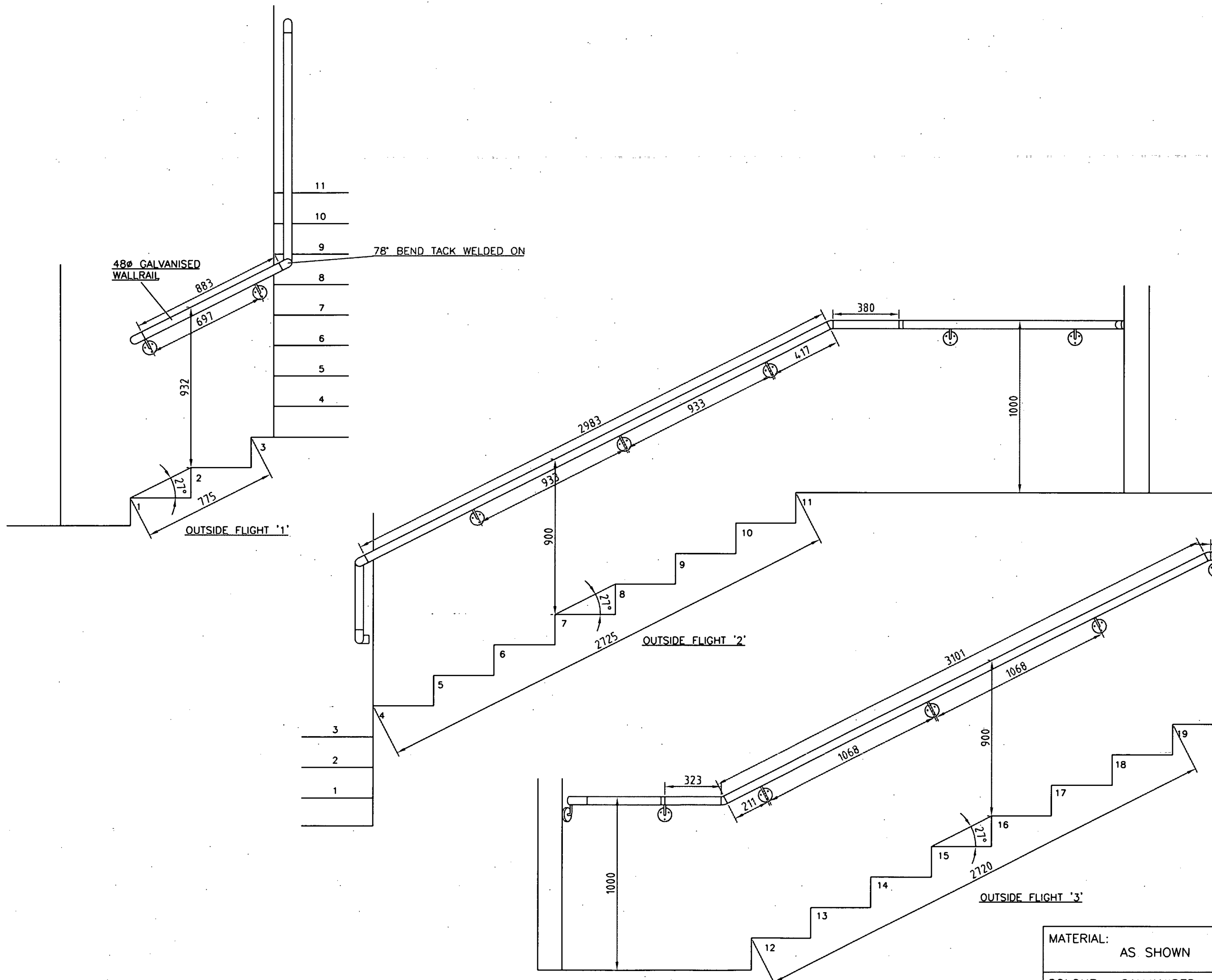
INSIDE FLIGHT '1'

REV A-CUT DIM ADDED

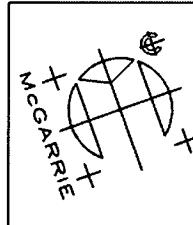

 LOWER HARBOUR
 PERTH PH2 8BB
 TEL:01738 624158
 & 631194
 FAX:01738 633814
 E.MAIL: office@mcgarrie.net

PROJECT:
 CAIRNGORM FUNICULAR
 RAILWAY
 MAIN STAIR

MATERIAL:	AS SHOWN	JOB No. 8750	REV.
COLOUR:	GALVANISED	DRG No: 857/27	A
CHECKED:		DRAWN BY	DATE
			05.07.01
			SCALE
			1:20

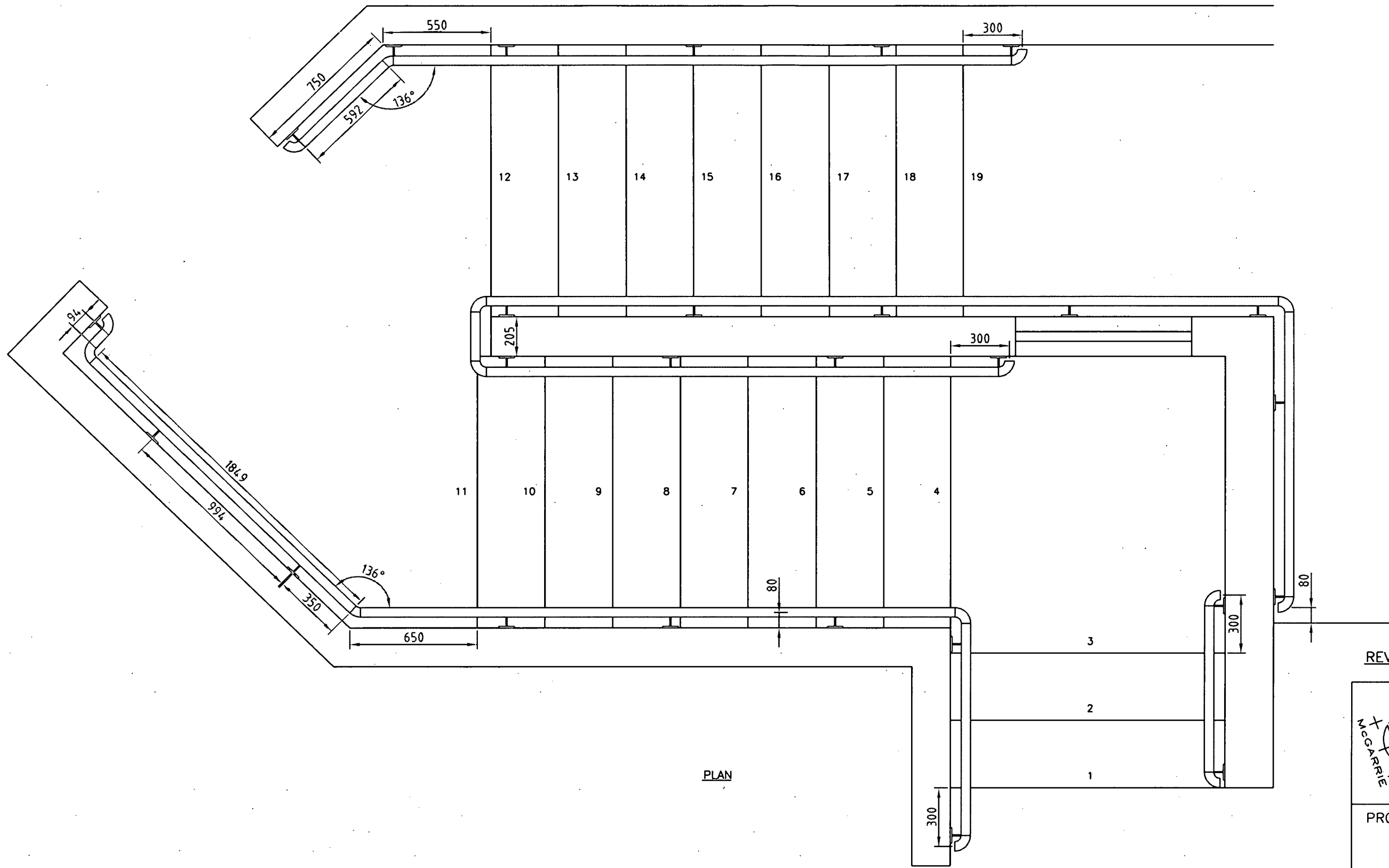


REV A-CUT DIMS ADDED


 LOWER HARBOUR
 PERTH PH2 8BB
 TEL: 01738 624158
 & 631194
 FAX: 01738 633814
 E-MAIL: office@mcgarrie.net

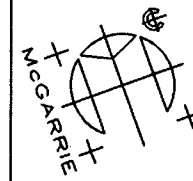
PROJECT:
 CAIRNGORM FUNICULAR
 RAILWAY
 MAIN STAIR

MATERIAL:	AS SHOWN	JOB No. 8750	REV.
COLOUR:	GALVANISED	DRG No: 857/28	A
CHECKED:		DATE	SCALE
		05.07.01	1:20



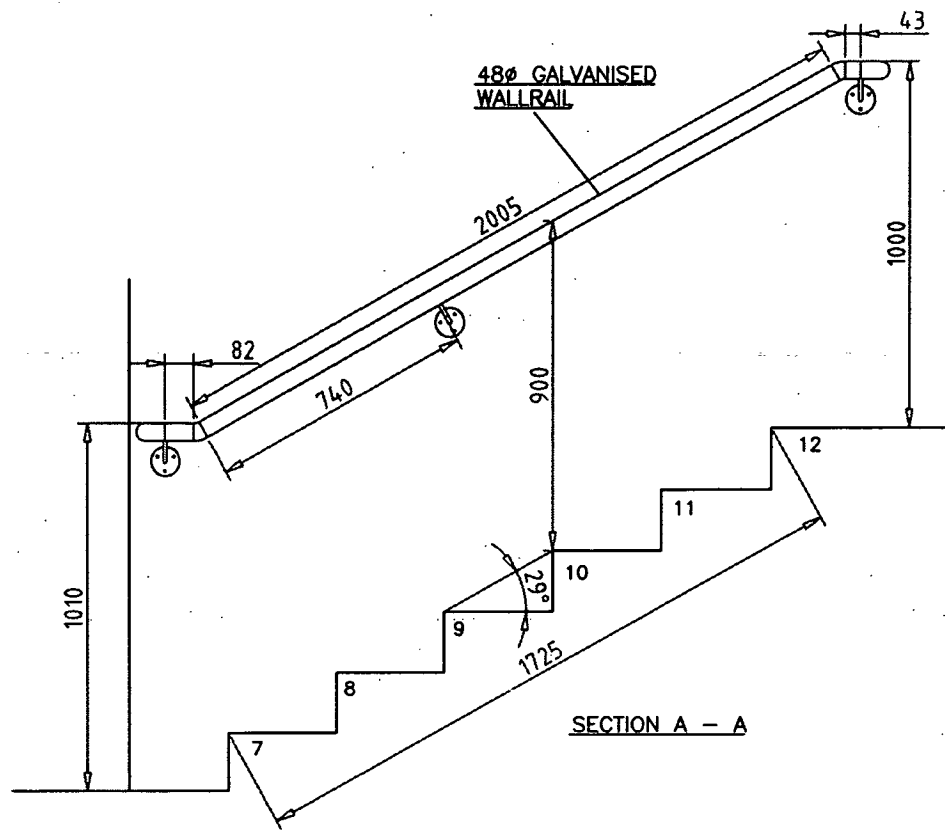
PLAN

REV A-CUT DIMS ADDED

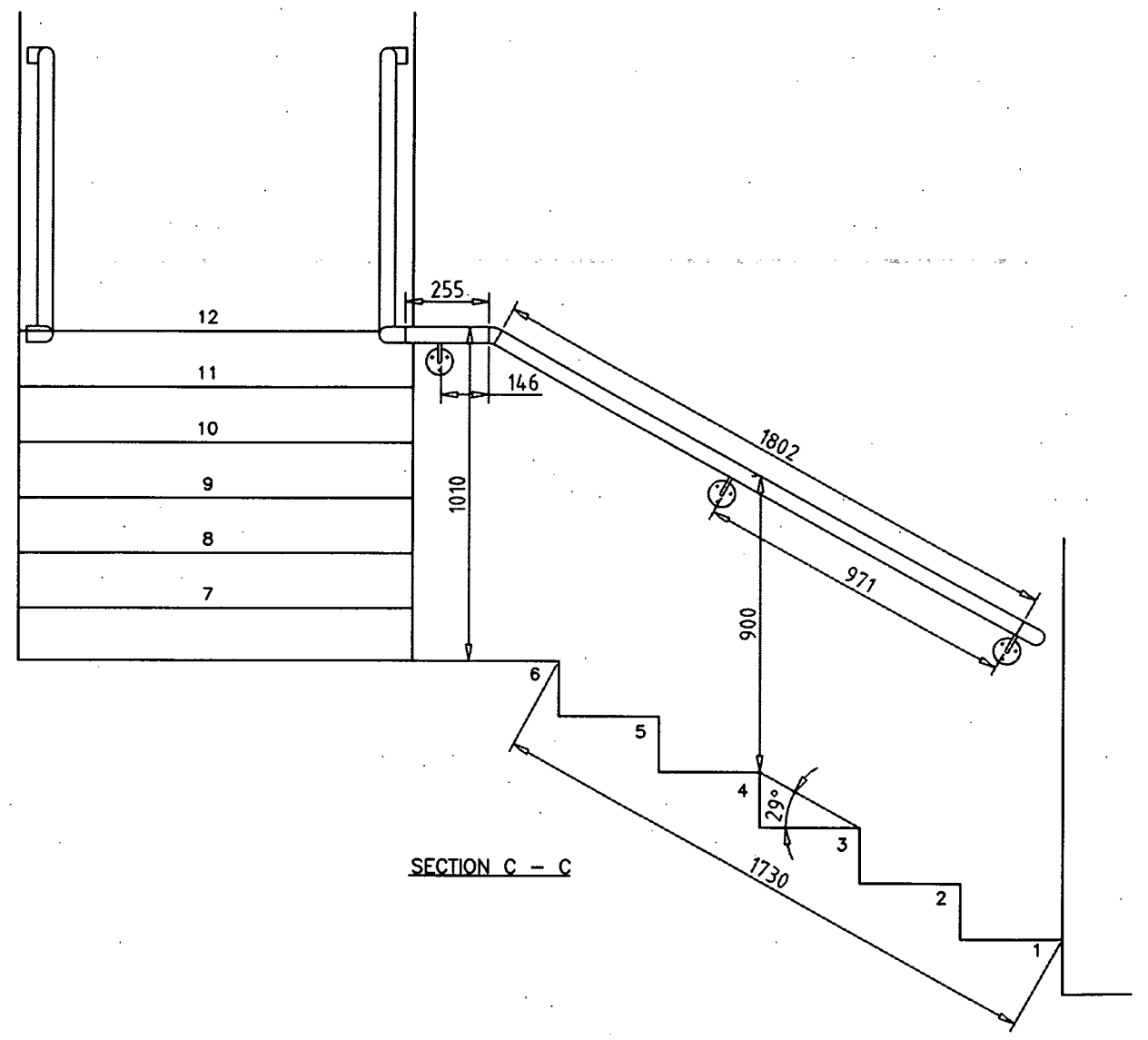

 LOWER HARBOUR
 PERTH PH2 8BB
 TEL:01738 624158
 & 631194
 FAX:01738 633814
 E.MAIL: office@mcgarrie.net

PROJECT:
 CAIRNGORM FUNICULAR
 RAILWAY
 MAIN STAIR

MATERIAL: AS SHOWN	JOB No. 8750	REV.
COLOUR: GALVANISED	DRG No: 857/29	A
CHECKED:	DRAWN BY	DATE
		05.07.01
		SCALE
		1:20

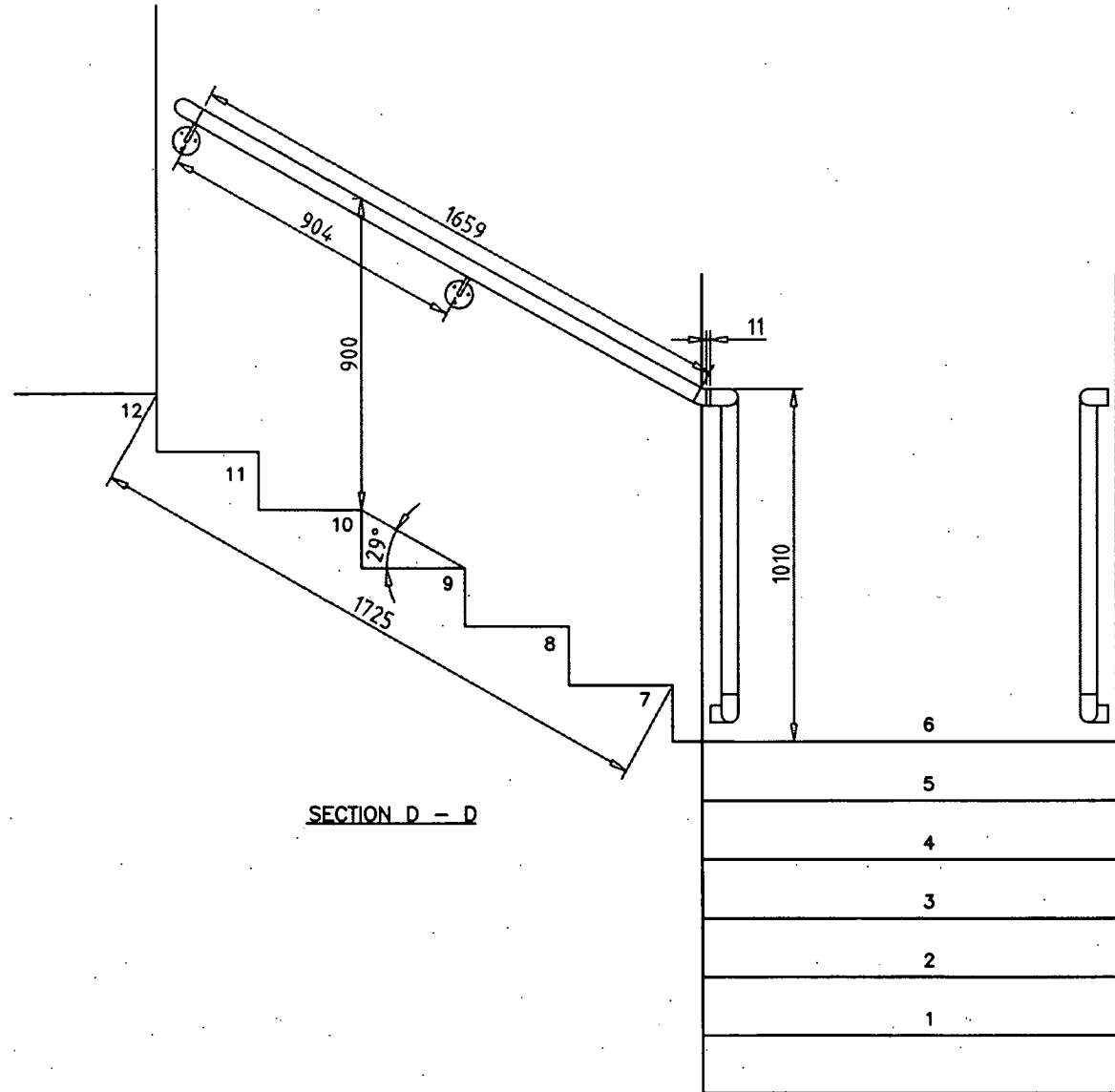


SECTION A - A

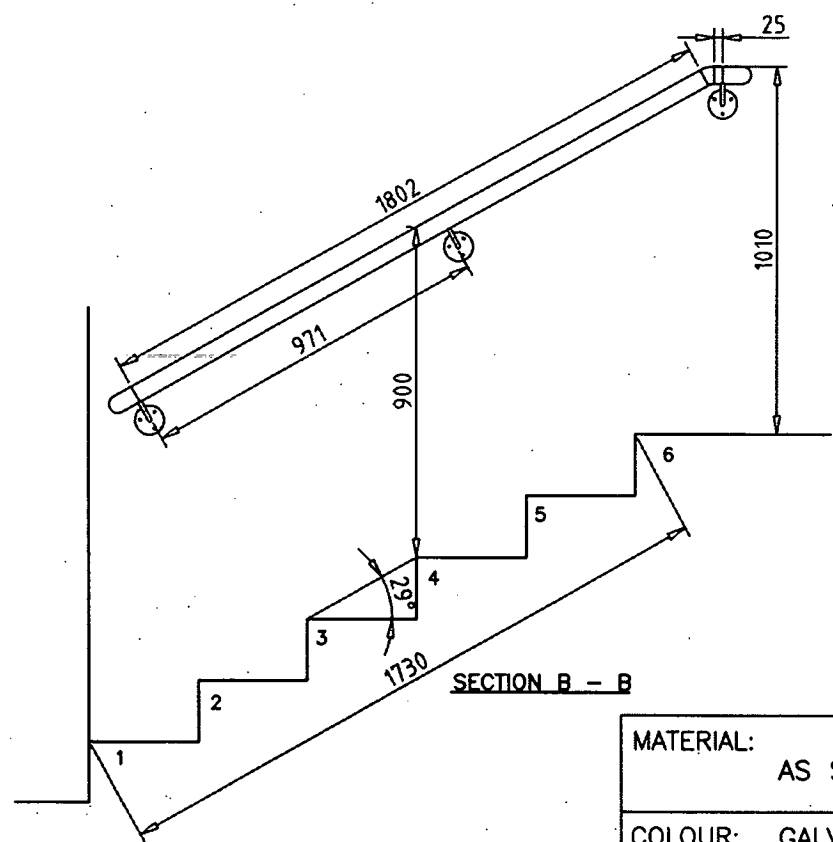


SECTION C - C


WALLRAILS '7'



SECTION D - D

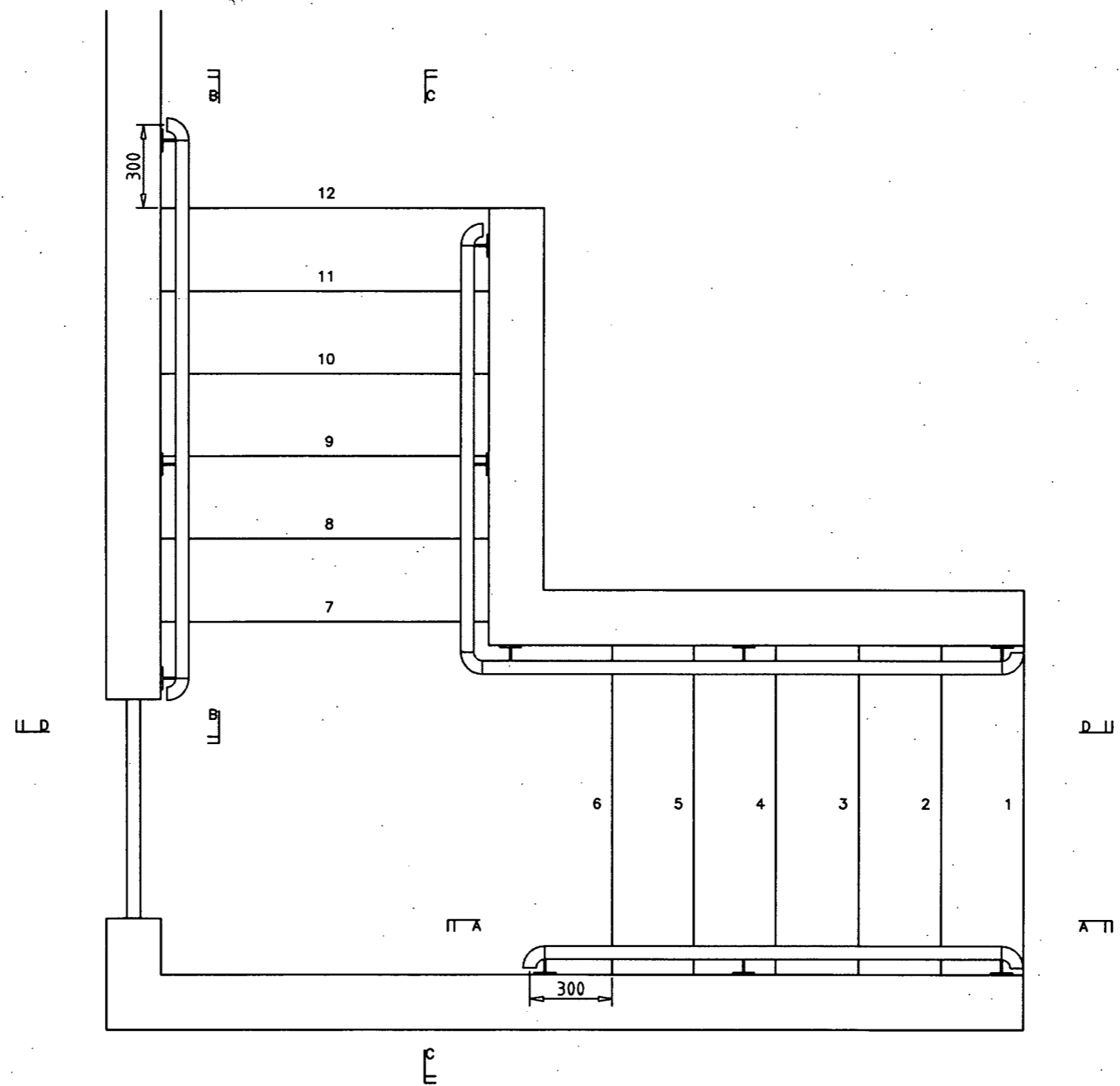


SECTION B - B



 LOWER HARBOUR
 PERTH PH2 8BB
 TEL: 01738 624158
 & 631194
 FAX: 01738 633814
 E.MAIL: office@mcgarrie.net

PROJECT:
 CAIRNGORM FUNICULAR
 RAILWAY

MATERIAL:	AS SHOWN	JOB No. 8750	REV.
COLOUR:	GALVANISED	DRG No: 857/30	
CHECKED:		DRAWN BY	DATE
			05.07.01
			SCALE
			1:20

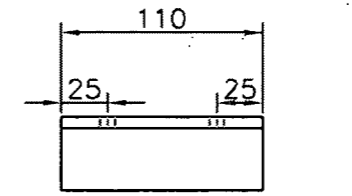
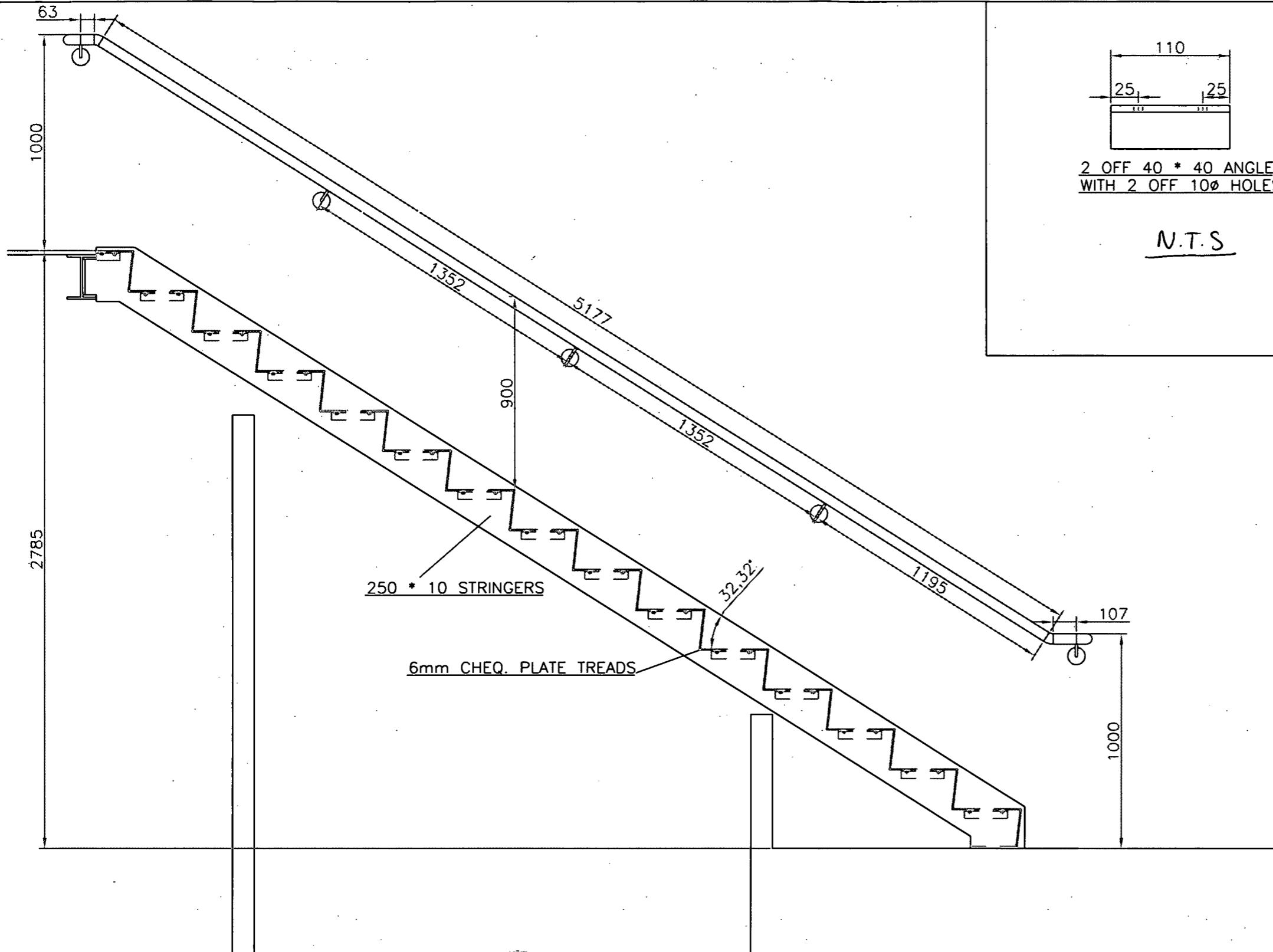


PLAN


 LOWER HARBOUR
 PERTH PH2 8BB
 TEL: 01738 624158
 & 631194
 FAX: 01738 633814
 E.MAIL: office@mcgarrie.net

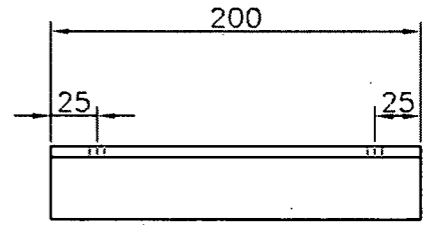
PROJECT:
 CAIRNGORM FUNICULAR
 RAILWAY

MATERIAL: AS SHOWN	JOB No. 8750	REV.
	DRG No: 857/31	
COLOUR: GALVANISED	DRAWN BY	DATE
CHECKED:		05.07.01
		SCALE
		1:20



2 OFF 40 * 40 ANGLE
WITH 2 OFF 10Ø HOLES

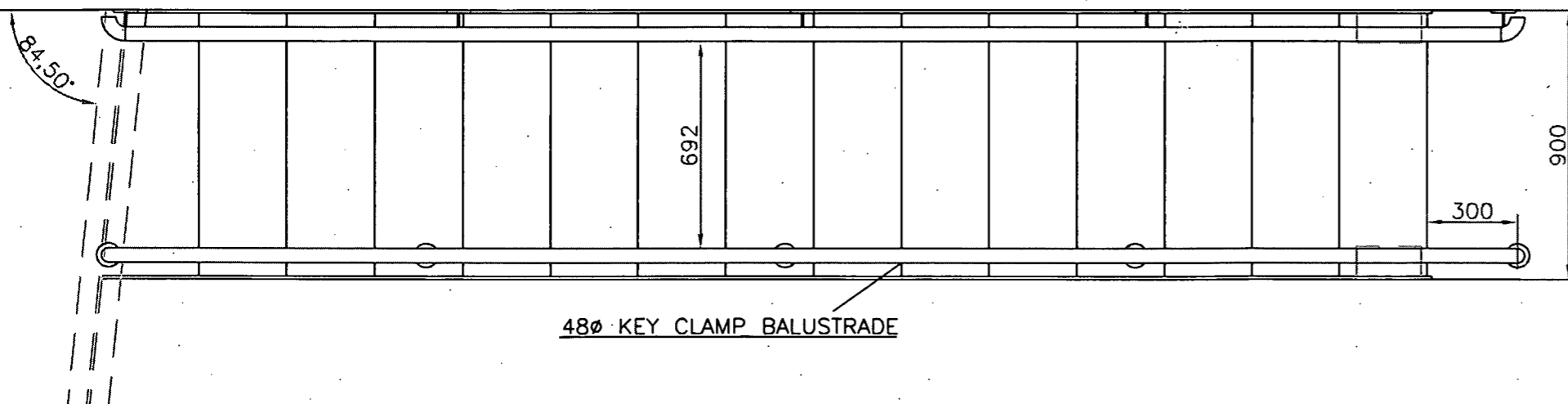
N.T.S.

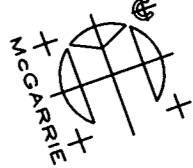


80 OFF 40 * 40 ANGLE
WITH 2 OFF 10Ø HOLES

N.T.S.

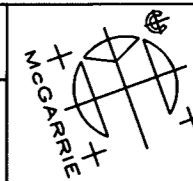
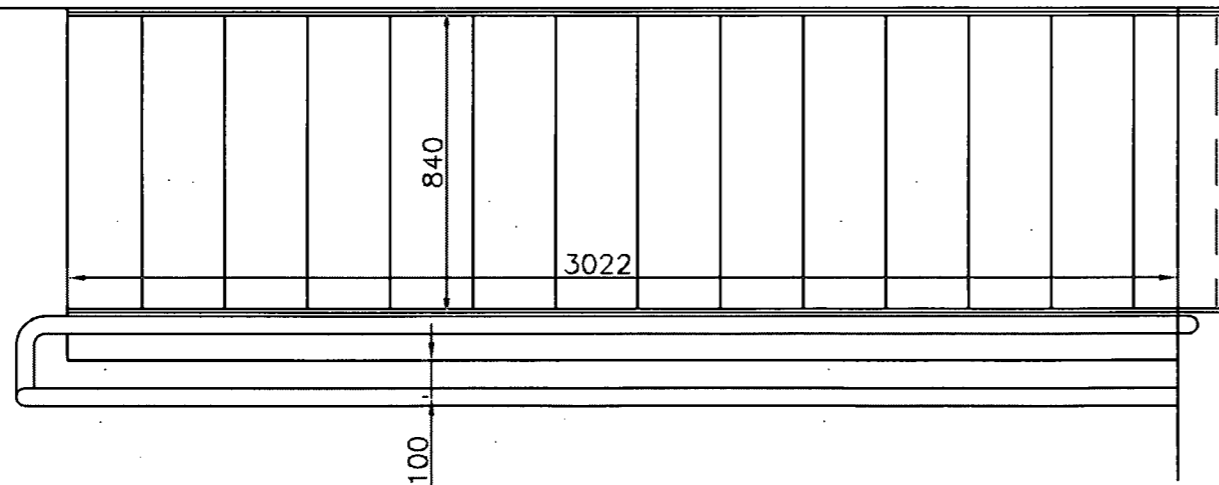
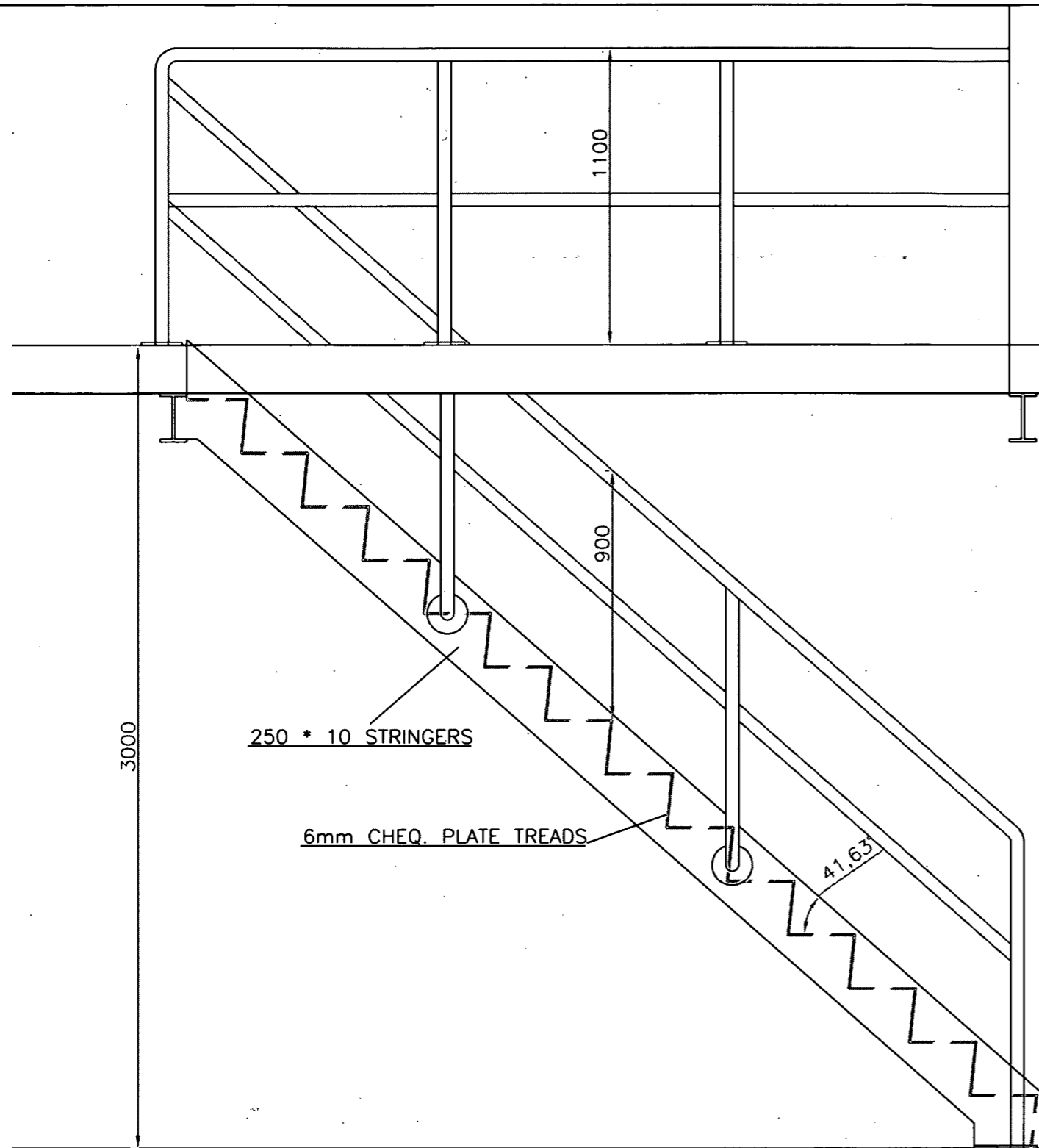
REV A-CUT DIMS ADDED




 LOWER HARBOUR
 PERTH PH2 8BB
 TEL:01738 624158
 & 631194
 FAX:01738 633814

PROJECT:
 CAIRNGORM FUNICULAR RAILWAY
 PTAARMIGAN
 PLANTROOM STAIR

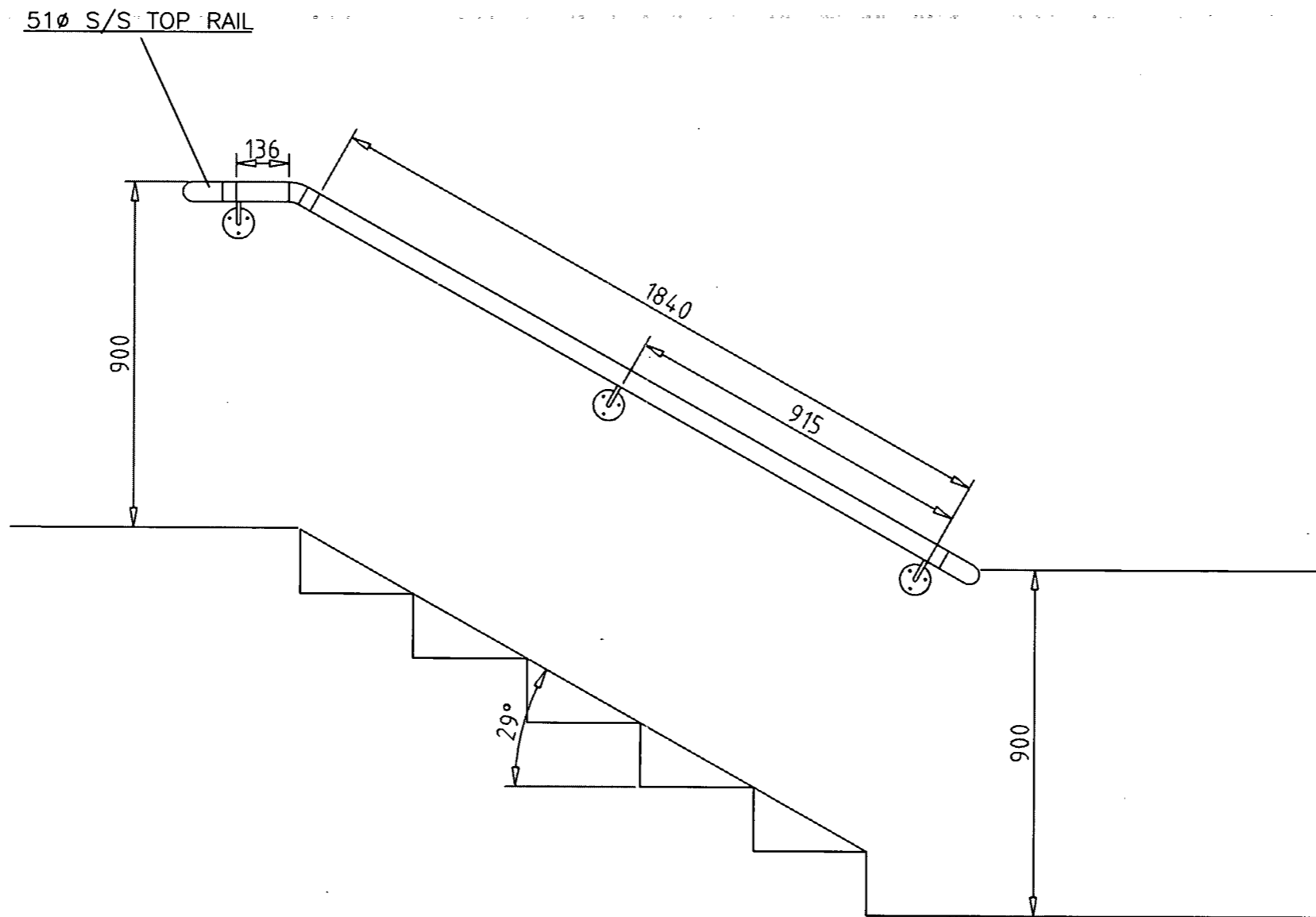
MATERIAL:	M/S AS SHOWN	JOB No. 8750	REV.
COLOUR:	GALV.	DRG No: 857/37	A
CHECKED:		DRAWN BY	DATE
			5.7.01
			SCALE
			1:20



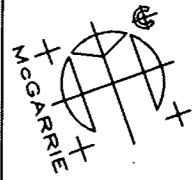
LOWER HARBOUR
PERTH PH2 8BB
TEL:01738 624158
& 631194
FAX:01738 633814

PROJECT:
CAIRNGORM FUNICULAR RAILWAY
PTAARMIGAN
PLANTROOM STAIR
KASSBOJNER

MATERIAL: M/S AS SHOWN	JOB No. 8750	REV.
COLOUR: GALV.	DRG No: 857/38	
CHECKED:	DRAWN BY	DATE
		5.7.01
		SCALE
		1:20

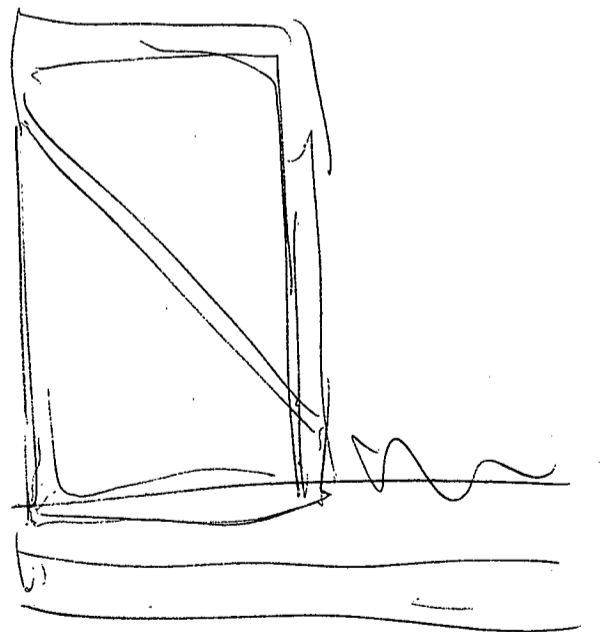


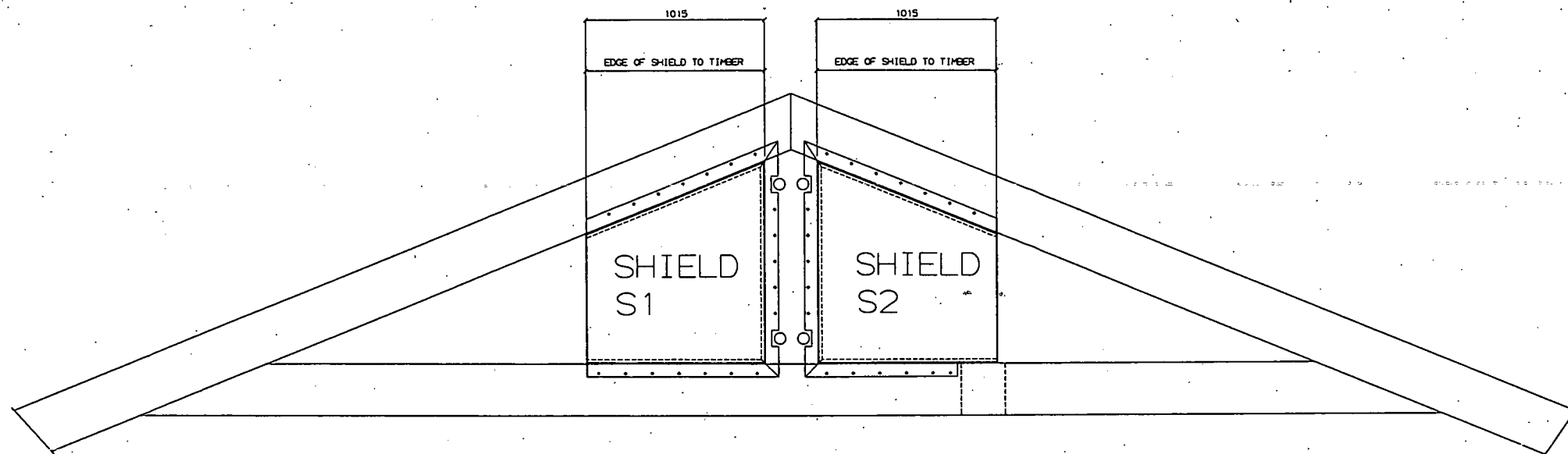
1 OFF AS SHOWN
 1 OFF OPPOSITE HAND - BRACKETS TO BE 50mm LONGER


 LOWER HARBOUR
 PERTH PH2 8BB
 TEL:01738 624158
 & 631194
 FAX:01738 633814
 E.MAIL: office@mcgarrie.net

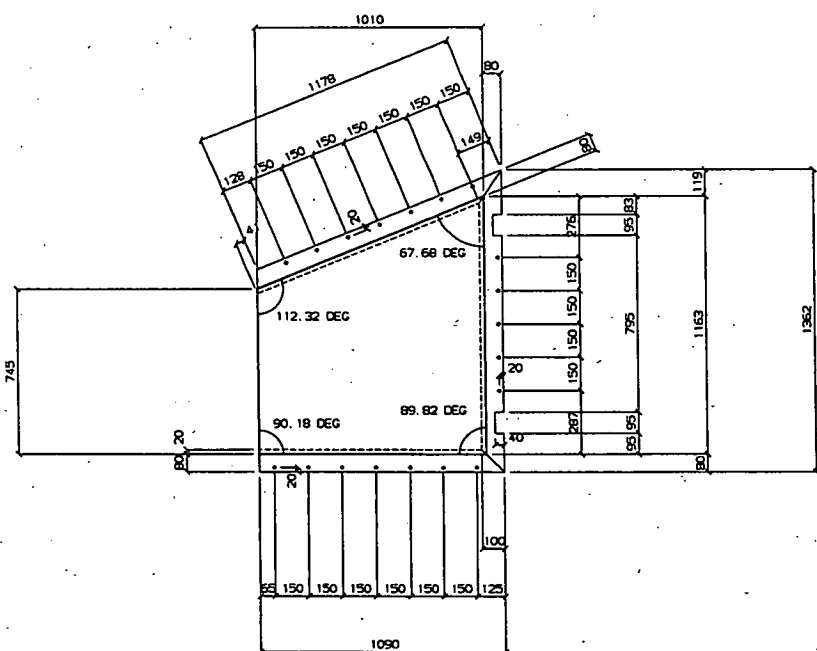
PROJECT:
 CAIRNGORM FUNICULAR
 RAILWAY

MATERIAL: AS SHOWN	JOB No. 8750	REV.
	DRG No: 857/51	
COLOUR: SATIN	DRAWN BY	DATE
CHECKED:		05.07.01
		SCALE
		N.T.S.

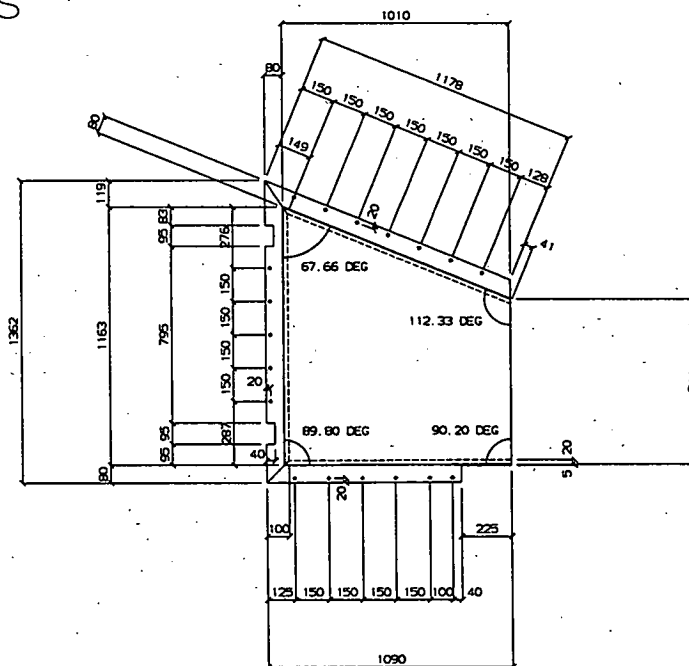




ELEVATION OF SHIELDING ON SKIERS




1 No SHIELD REQUIRED AS DRAWN MARKED S1

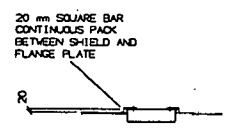


1 No SHIELD REQUIRED AS DRAWN MARKED S2

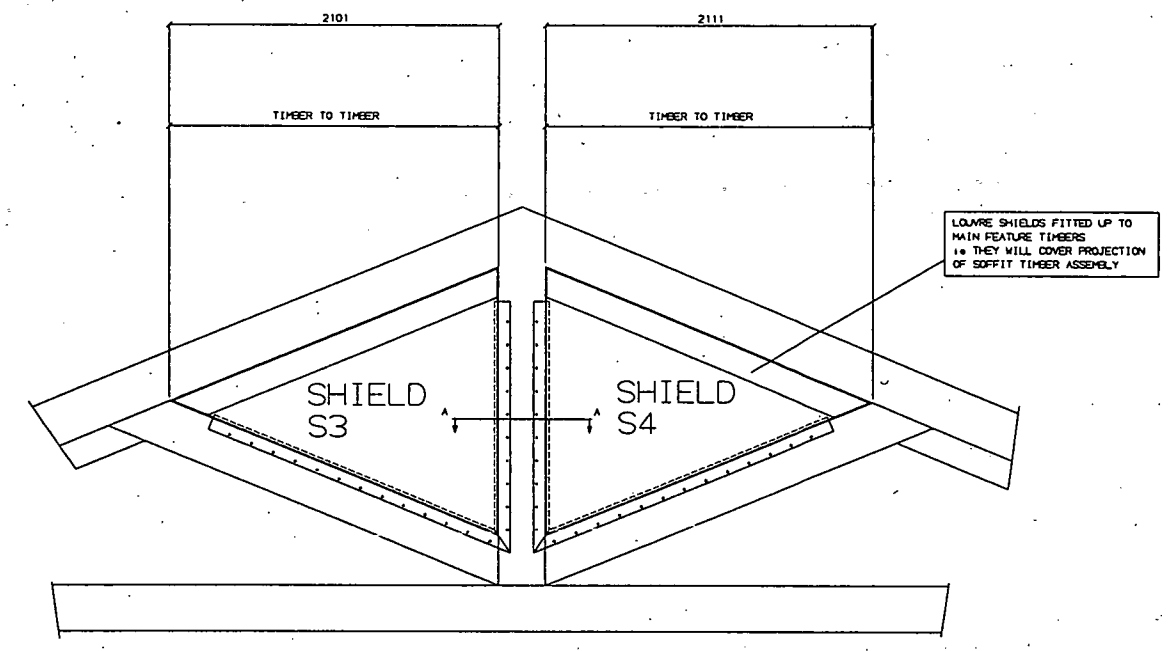
SHIELDS OUT OF 6 THICK PLATE
SUPPORT FLANGE OUT OF 100 X6 FLAT BAR
HOLED TO SUIT COACH SCREWS
FLANGE TO SHIELD INTERMITTENT 6 F WELD
WITH SEALING RUN BETWEEN

				CLIENT	DRAWN	MUK	Metalwork U.K. BLARLIATH INDUSTRIAL ESTATE TAIN ROSS-SHIRE IV191EB TEL: 01862 894002 FAX: 01862 894008				
				 MORRISON CONSTRUCTION LIMITED	CHECKED	MUK					
				PROJECT	GENERAL NOTES			SCALE	JOB No	DWG. No.	REV
				CAIRNGORM FUNICULAR				NTS	M 598	LS 1	
REV	BY	DATE	DETAILS	TITLE	LOUVRE SHIELDING						

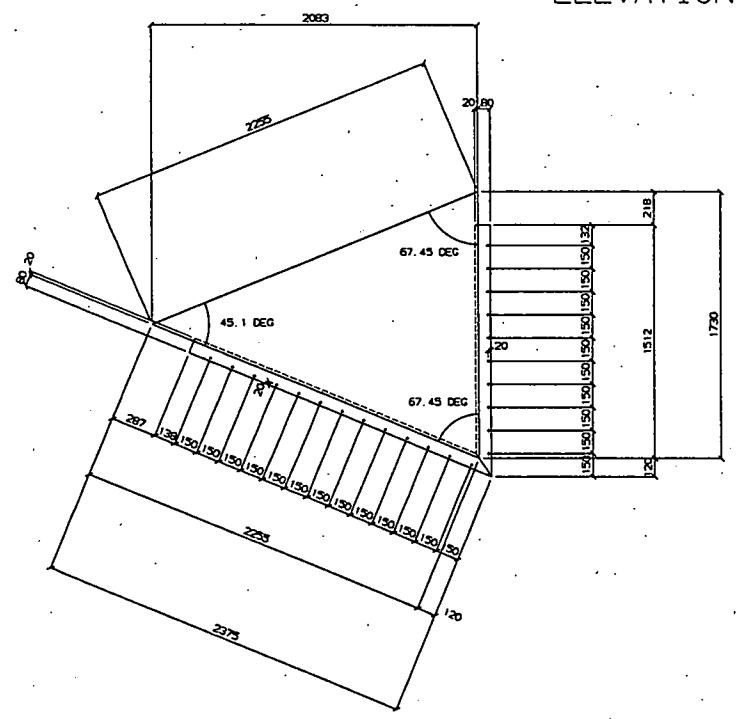




SECTION A-A

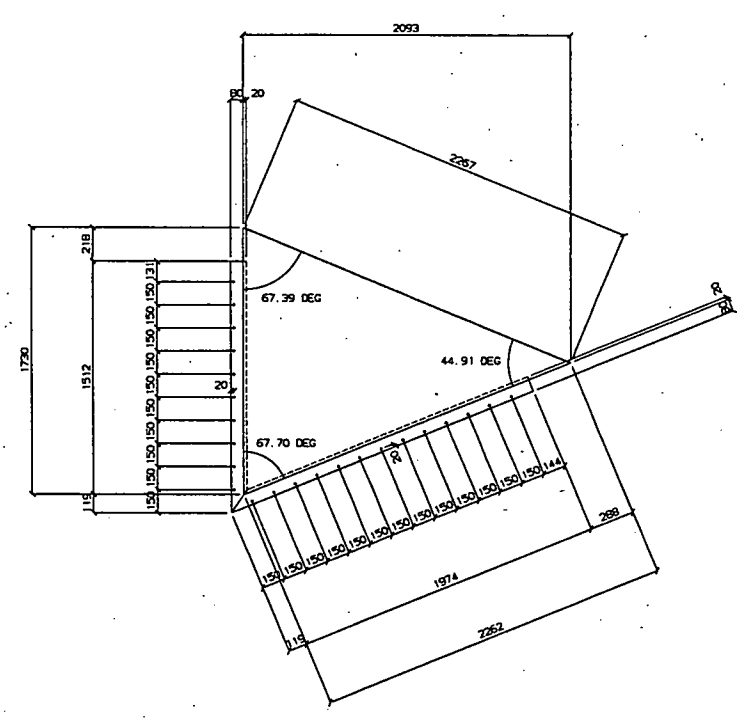


ELEVATION ON SHIELDING AT GRID LINE P



1 No SHIELD REQUIRED AS DRAWN MARKED S3

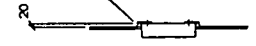
SHIELDS OUT OF 6 THICK PLATE
SUPPORT FLANGE OUT OF 100 X6 FLAT BAR
HOLED TO SUIT COACH SCREWS
FLANGE TO SHIELD INTERMITTENT 6 F WELD
WITH SEALING RUN BETWEEN
20 mm SQUARE BAR PACK BETWEEN SHIELD
AND FLANGE PLATE - SEE SECTION A-A



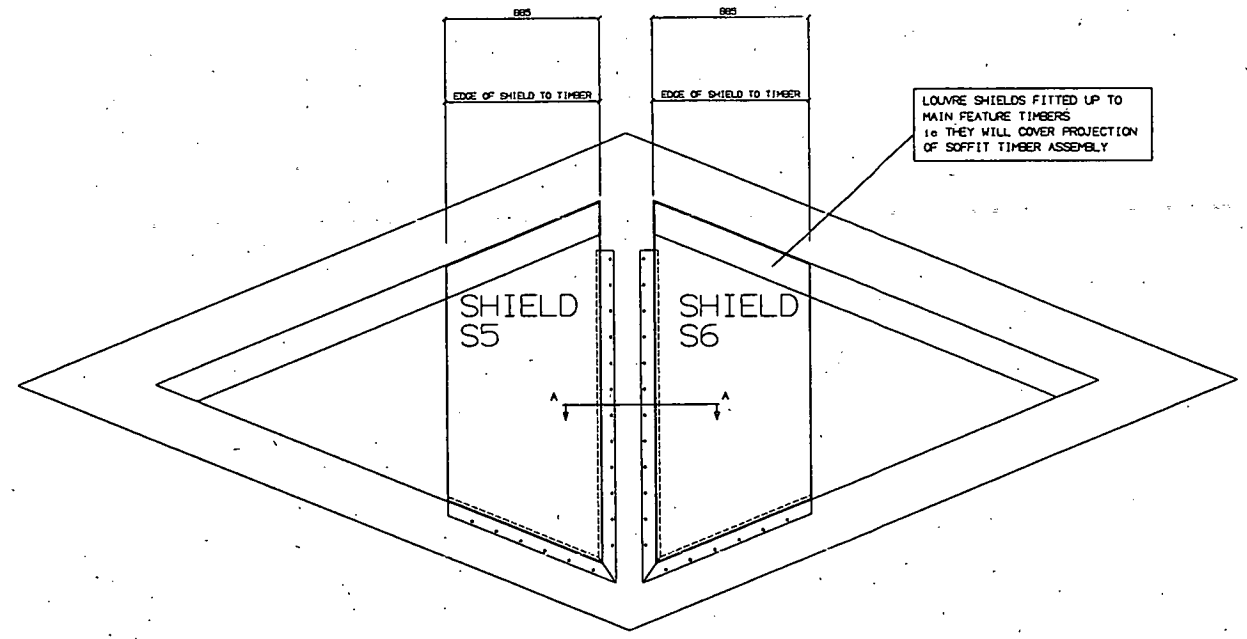
1 No SHIELD REQUIRED AS DRAWN MARKED S4

				CLIENT	DRAWN	MUK	Metalwork U.K. BLARLIATH INDUSTRIAL ESTATE TAIN ROSS-SHIRE IV191EB TEL: 01862 894002 FAX: 01862 894008				
				MORRISON CONSTRUCTION LIMITED	CHECKED	MUK					
				PROJECT	GENERAL NOTES			SCALE	JOB No	DWG No.	REV
				CAIRNGORM FUNICULAR				NTS	M 598	LS 2	
REV	BY	DATE	DETAILS	TITLE	OPEN GRID FLOORING						

20 mm SQUARE BAR
CONTINUOUS PACK
BETWEEN SHIELD AND
FLANGE PLATE

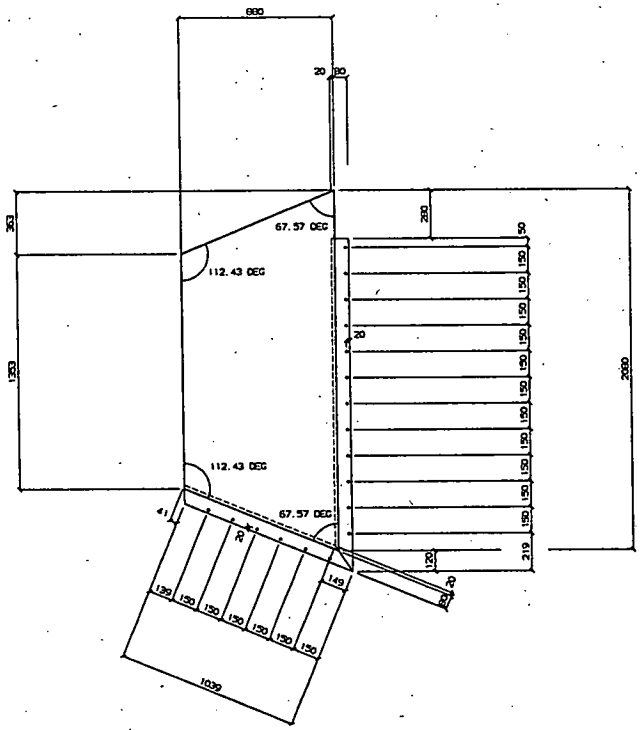


SECTION A-A

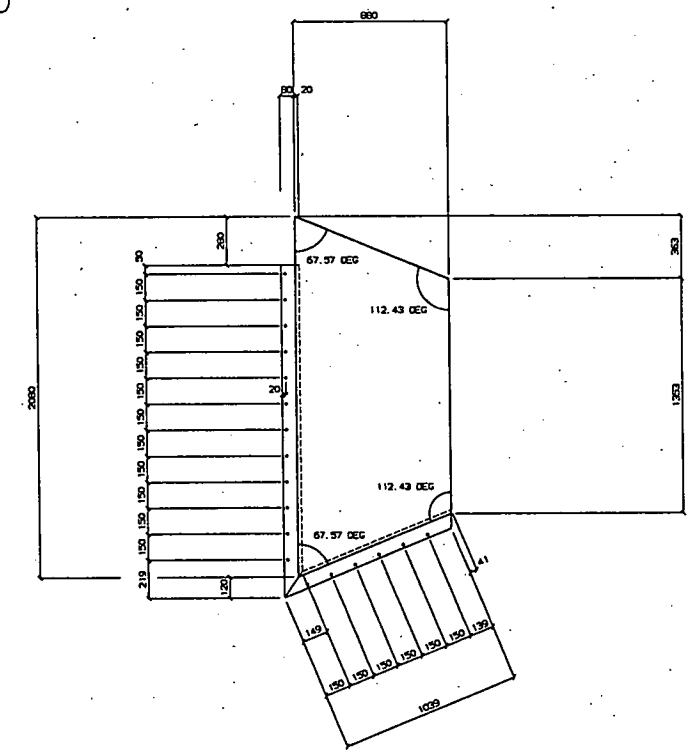


LOUVRE SHIELDS FITTED UP TO
MAIN FEATURE TIMBERS
so THEY WILL COVER PROJECTION
OF SOFFIT TIMBER ASSEMBLY

ELEVATION ON SHIELDING ON GRID LINE D



SHIELDS OUT OF 6 THICK PLATE
SUPPORT FLANGE OUT OF 100 X6 FLAT BAR
HOLED TO SUIT COACH SCREWS
FLANGE TO SHIELD INTERMITTENT 6 F WELD
WITH SEALING RUN BETWEEN
20 mm SQUARE BAR PACK BETWEEN SHIELD
AND FLANGE PLATE - SEE SECTION A-A



1 No SHIELD REQUIRED AS DRAWN MARKED S5

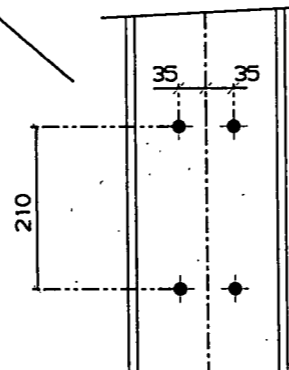
1 No SHIELD REQUIRED AS DRAWN MARKED S6

				CLIENT	DRAWN	MUK	Metalwork U.K. BLARLIATH INDUSTRIAL ESTATE TAIN ROSS-SHIRE IV191EB TEL: 01862 894002. FAX: 01862 894008			
				MORRISON CONSTRUCTION LIMITED	CHECKED	MUK				
				PROJECT	GENERAL NOTES					
				CAIRNGORM FUNICULAR			SCALE	JOB No	DWG No.	REV
REV	BY	DATE	DETAILS	TITLE	OPEN GRID FLOORING		NTS	M 598	LS 3	

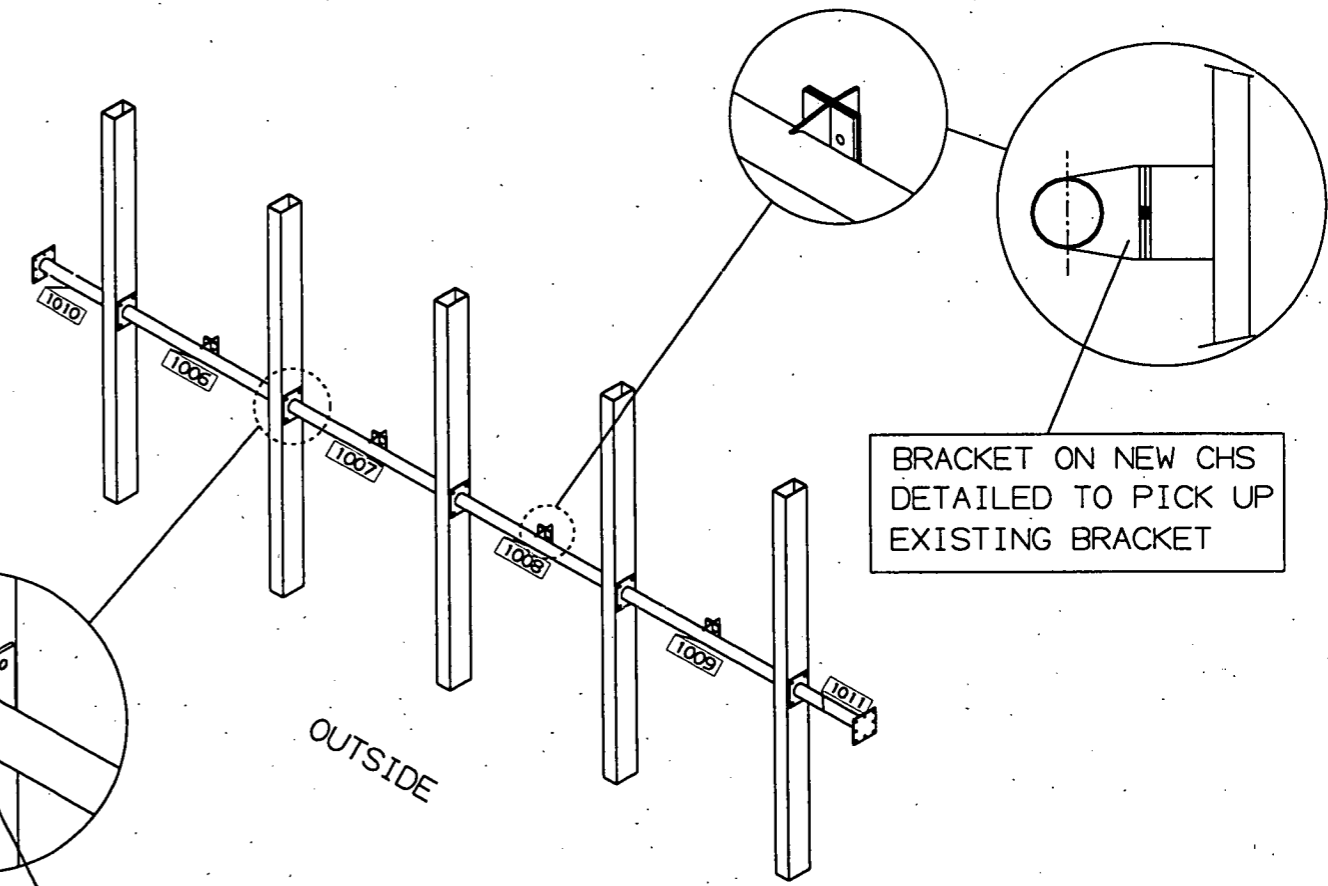


8 No 14 DIA HOLES
IN END PLATE FOR
FACE FIXING TO TIMBER
260 SQUARE END PLATE

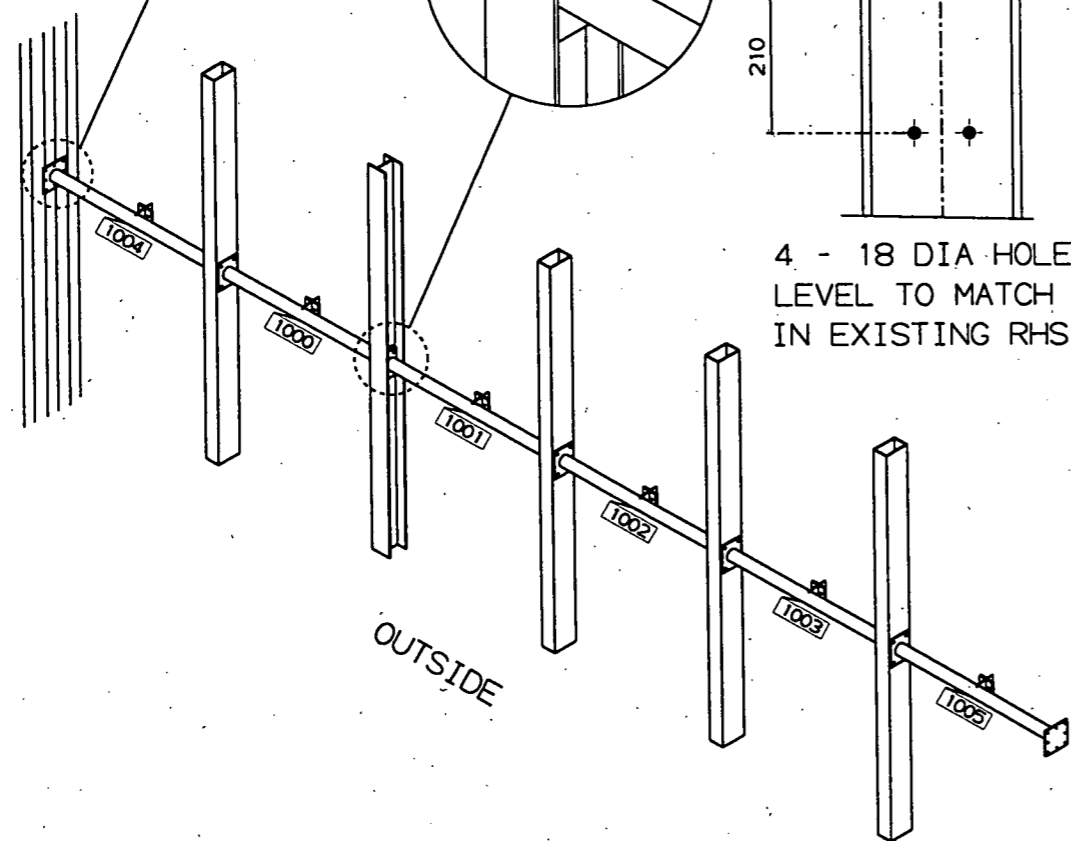
NEW HOLES DRILLED IN WEB
OF EXISTING COLUMN
30 mm LAMINATED PACK SUPPLIED
FOR END OF NEW CHS TO ALLOW
CLEARANCE FOR FITTING



4 - 18 DIA HOLES
LEVEL TO MATCH HOLES
IN EXISTING RHS POSTS

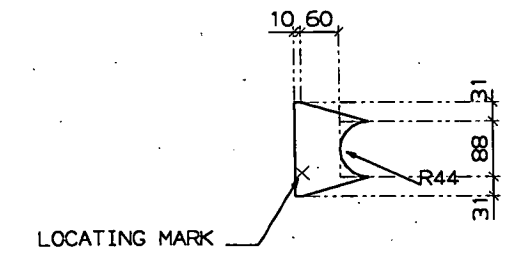
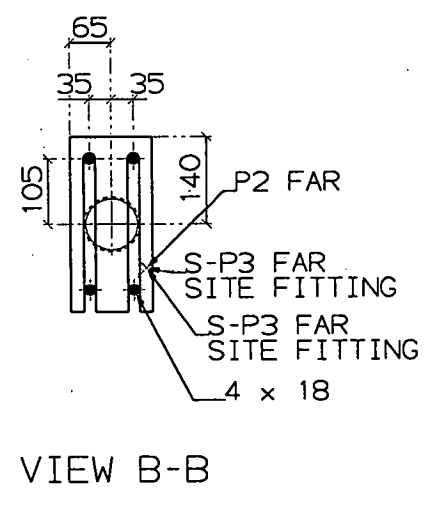
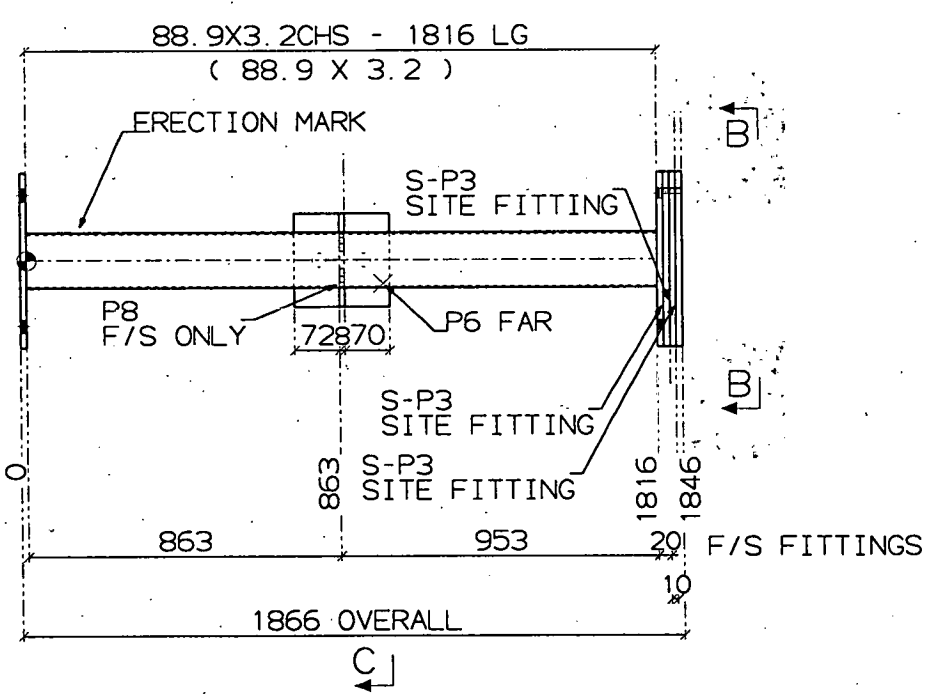
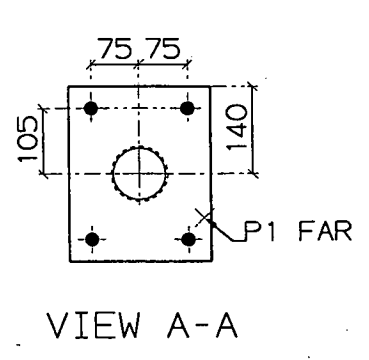
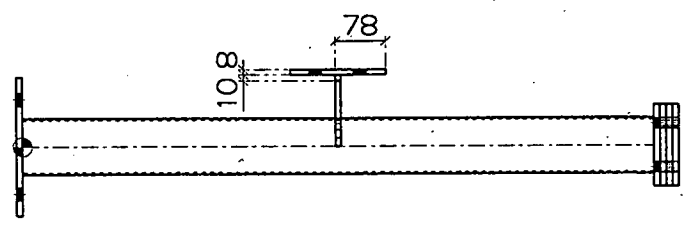
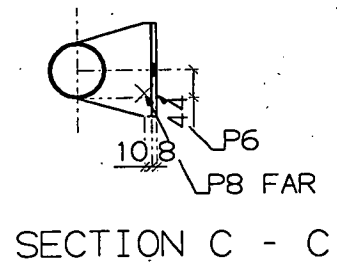


VIEW ON GLAZING ON SUMMIT SIDE OF TOP STATION

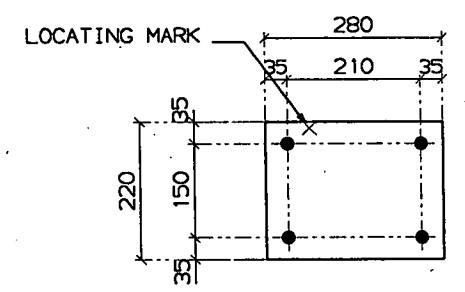


VIEW ON GLAZING ON TRACK SIDE OF TOP STATION

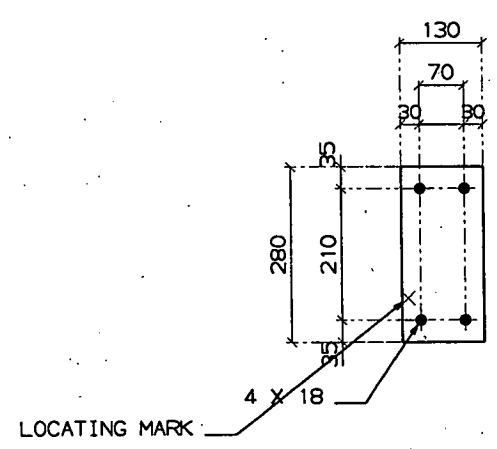
				CLIENT	DRAWN	MUK	23/08/01	Metalwork U.K. BLARLIATH INDUSTRIAL ESTATE TAIN ROSS-SHIRE IV191EB TEL: 01862 894002 FAX: 01862 894008			
				MORRISON CONSTRUCTION	CHECKED						
				PROJECT	GENERAL NOTES ALL WELDS 6 mm UNO ALL HOLES 22 DIAM UNO TOTAL WEIGHT 28.0 Kg. STEEL GRADE 43A			SCALE	JOB No	DWG No.	REV.
REV	BY	DATE	DETAILS	TITLE TOP STATION				NTS	M618	ISO 1	



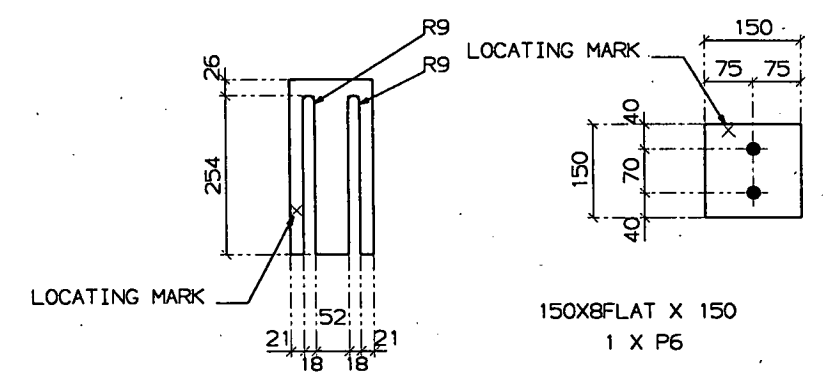
150X8FLAT X 114
1 X P8



220X10FLAT X 280
1 X P1



280X10FLAT X 130
1 X P2



280X10FLAT X 130
3 X S-P3

150X8FLAT X 150
1 X P6

SHOP MATERIAL LIST FOR 1 ASSEMBLY						
MARK	SIZE	GRADE	LENGTH MM	No	AREA M2	WEIGHT KG
1000	88.9X3.2CHS	43A	1816	1	0.49	12.3
P1	220X10FLAT	43A	280	1	0.13	4.8
P2	280X10FLAT	43A	130	1	0.08	2.9
P6	150X8FLAT	43A	150	1	0.05	1.4
P8	150X8FLAT	43A	114	1	0.04	1.1
TOTAL						0.80 22.5

SITE FITTING LIST FOR 1 ASSEMBLY						
MARK	SIZE	GRADE	LENGTH MM	No	AREA M2	WEIGHT KG
S-P3	280X10FLAT	43A	130	3	0.24	8.6
TOTAL						0.24 8.6

LOCATION LIST	
GRID LOC.	GRID LOC.
-6835/-22300/2000	-4888/-22300/2000

RADIAL CUT DIMS GIVEN TO INTERSECTION POINTS

1 REQUIRED AS DRAWN MARKED 1000

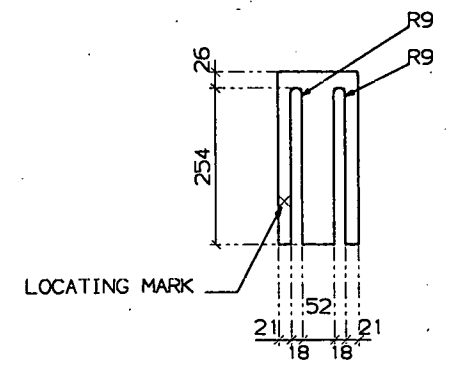
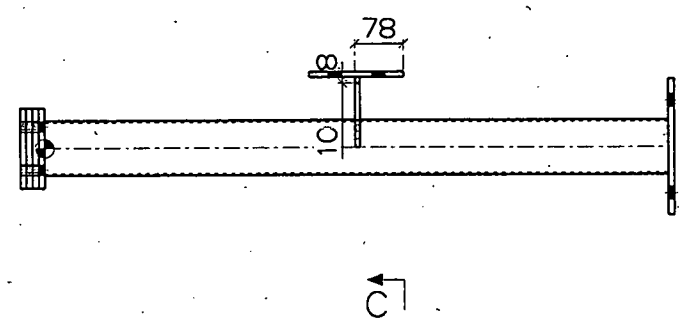
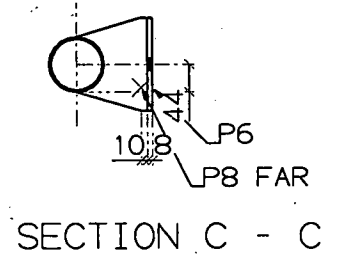
PHASE 1
PRELIM 1001
FINISH GALV

⊕ SHOP BOLTS	◆ SITE BOLTS/HOLES
★ C/SUNK NEARSIDE	✱ C/SUNK FAR SIDE

				CLIENT	DRAWN	MUK	10/09/01	<h1>Metalwork U.K.</h1> BLARLIATH INDUSTRIAL ESTATE TAIN ROSS-SHIRE IV191EB TEL: 01862 894002 FAX: 01862 894008			
				MORRISON CONSTRUCTION	CHECKED						
				PROJECT	GENERAL NOTES			SCALE	JOB No.	DWG No.	REV
				CAIRNGORM FUNICULAR	ALL WELDS 6 mm UNO ALL HOLES 22 DIAM UNO TOTAL WEIGHT 22.5 Kg. STEEL GRADE 43A			NTS	M618	1000	
REV	BY	DATE	DETAILS	TITLE	TOP STATION						

STRUCAD



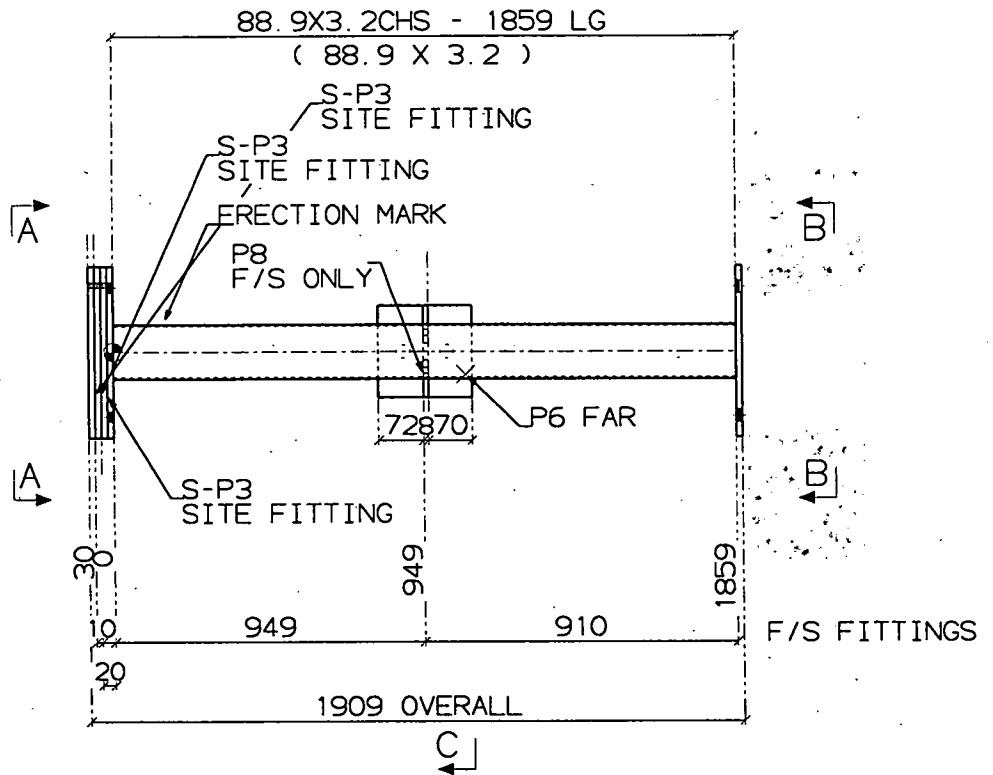
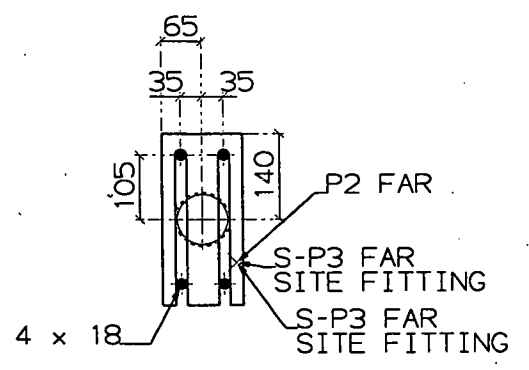


SHOP MATERIAL LIST FOR 1 ASSEMBLY						
MARK	SIZE	GRADE	LENGTH MM	No	AREA M2	WEIGHT KG
1001	88.9X3.2CHS	43A	1859	1	0.51	12.6
P1	220X10FLAT	43A	280	1	0.13	4.8
P2	280X10FLAT	43A	130	1	0.08	2.9
P6	150X8FLAT	43A	150	1	0.05	1.4
P8	150X8FLAT	43A	114	1	0.04	1.1
TOTAL					0.81	22.7

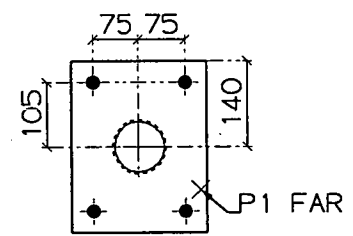
SITE FITTING LIST FOR 1 ASSEMBLY						
MARK	SIZE	GRADE	LENGTH MM	No	AREA M2	WEIGHT KG
S-P3	280X10FLAT	43A	130	3	0.24	8.6
TOTAL					0.24	8.6

LOCATION LIST	
GRID LOC.	GRID LOC.
-4888/-22300/2000	-2899/-22300/2000

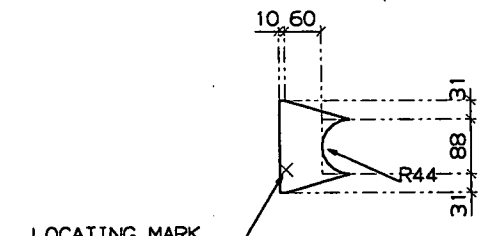
RADIAL CUT DIMS GIVEN TO INTERSECTION POINTS



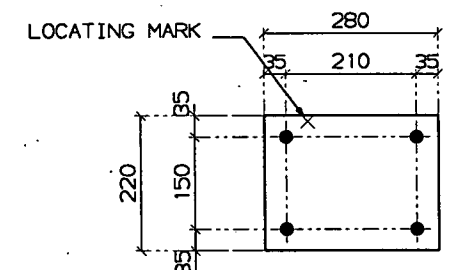
280X10FLAT X 130
3 X S-P3



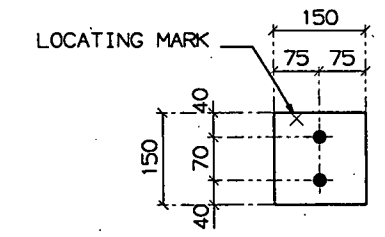
VIEW B-B



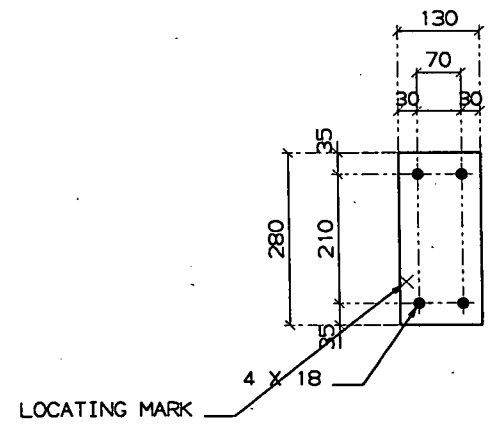
150X8FLAT X 114
1 X P8



220X10FLAT X 280
1 X P1



150X8FLAT X 150
1 X P6




280X10FLAT X 130
1 X P2

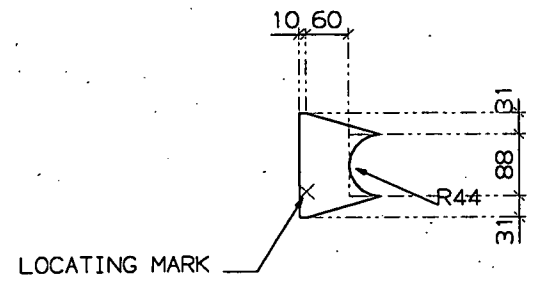
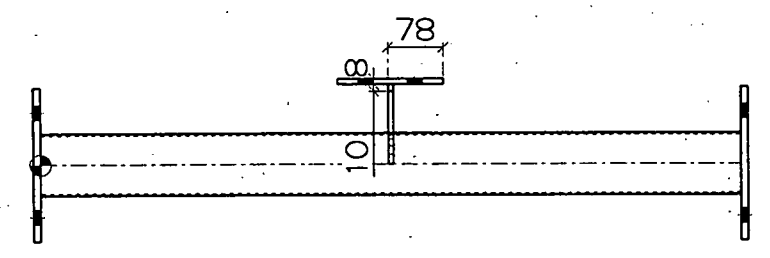
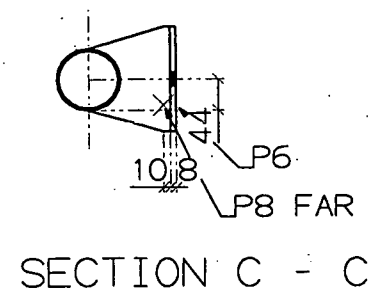
1 REQUIRED AS DRAWN MARKED 1001

PHASE 1
PRELIM 1002
FINISH GALV

STRUCAD

⊕ SHOP BOLTS	◆ SITE BOLTS/HOLES
★ C/SUNK NEARSIDE	✱ C/SUNK FAR SIDE

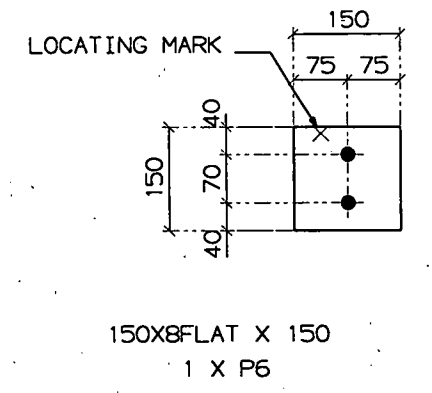
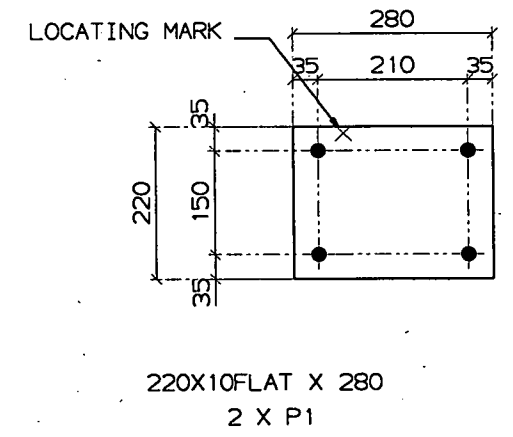
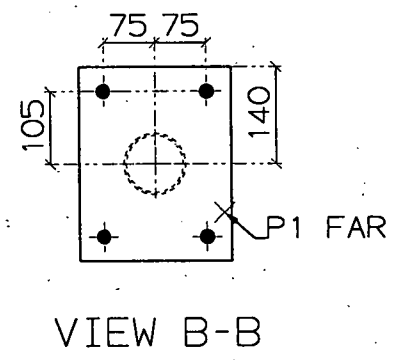
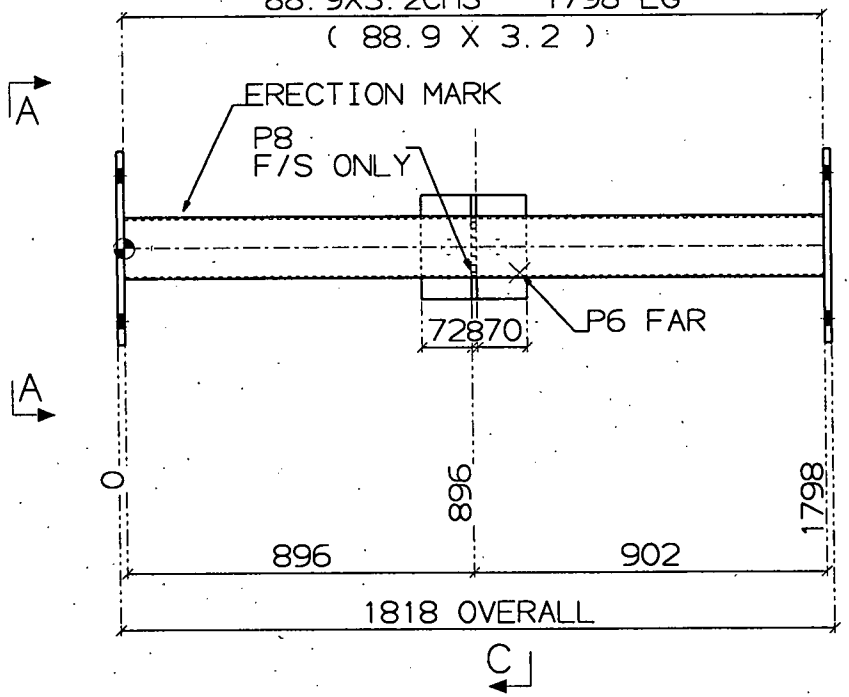
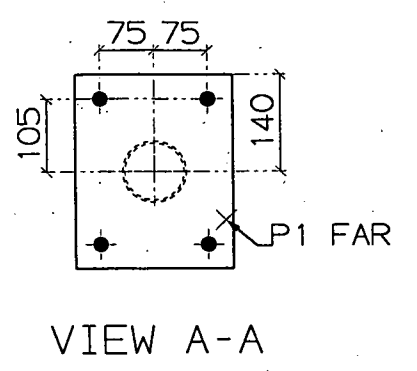
				CLIENT	DRAWN	MUK	10/09/01	<h1>Metalwork U.K.</h1> <p>BLARLIATH INDUSTRIAL ESTATE TAIN ROSS-SHIRE IV191EB TEL: 01862 894002 FAX: 01862 894008</p> 			
				MORRISON CONSTRUCTION	CHECKED						
				PROJECT	GENERAL NOTES			SCALE	JOB No	DWG No	REV
				CAIRNGORM FUNICULAR	ALL WELDS 6 mm UNO ALL HOLES 22' DIAM UNO TOTAL WEIGHT 22.7 Kg. STEEL GRADE 43A			NTS	M618	1001	
REV	BY	DATE	DETAILS	TITLE	TOP STATION						



SHOP MATERIAL LIST FOR 1 ASSEMBLY						
MARK	SIZE	GRADE	LENGTH MM	No	AREA M2	WEIGHT KG
1002	88.9X3.2CHS	43A	1798	1	0.49	12.2
P1	220X10FLAT	43A	280	2	0.27	9.7
P6	150X8FLAT	43A	150	1	0.05	1.4
P8	150X8FLAT	43A	114	1	0.04	1.1
TOTAL					0.84	24.3

LOCATION LIST	
GRID LOC.	GRID LOC.
-2899/-22300/2000	-929/-22300/2000

RADIAL CUT DIMS GIVEN TO INTERSECTION POINTS



1 REQUIRED AS DRAWN MARKED 1002

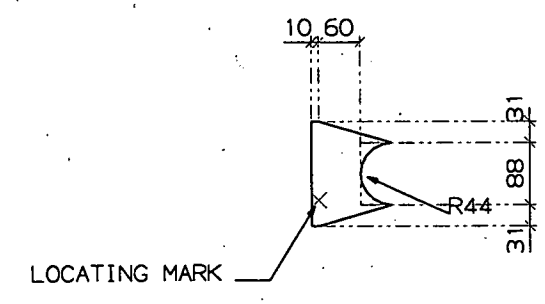
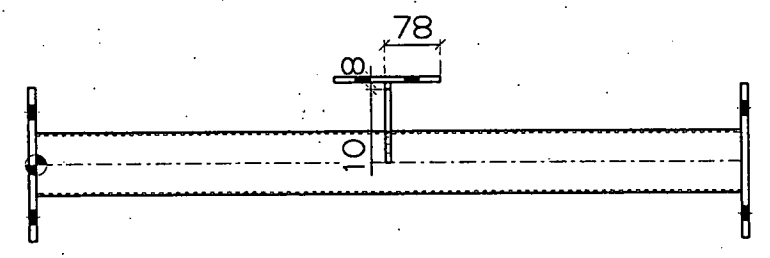
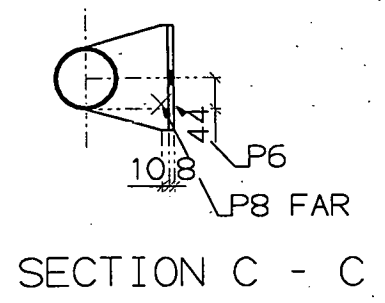
PHASE 1
PRELIM 1003
FINISH GALV

⊕ SHOP BOLTS	◆ SITE BOLTS/HOLES
★ C/SUNK NEARSIDE	✱ C/SUNK FAR SIDE

				CLIENT	DRAWN	MJK	10/09/01	<h1>Metalwork U.K.</h1> BLARLIATH INDUSTRIAL ESTATE TAIN ROSS-SHIRE IV191EB TEL: 01862 894002 FAX: 01862 894008			
				MORRISON CONSTRUCTION	CHECKED						
				PROJECT	GENERAL NOTES ALL WELDS 6 mm UNO ALL HOLES 22 DIAM UNO TOTAL WEIGHT 24.3 Kg. STEEL GRADE 43A			SCALE	JOB No	DWG No.	REV
				CAIRNGORM FUNICULAR				NTS	M618	1002	
REV	BY	DATE	DETAILS	TITLE	TOP STATION						

STRUCAD

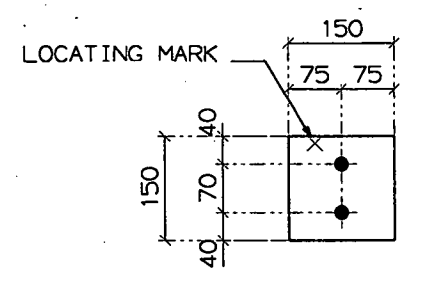
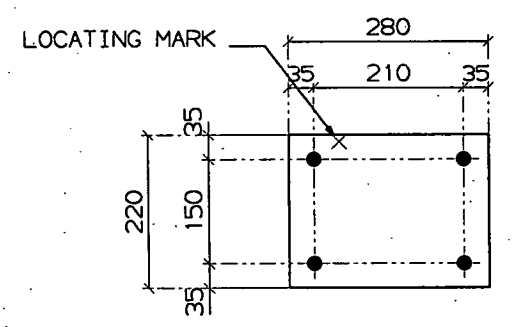
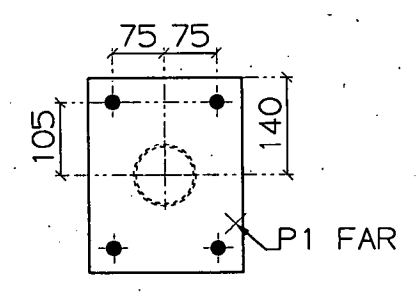
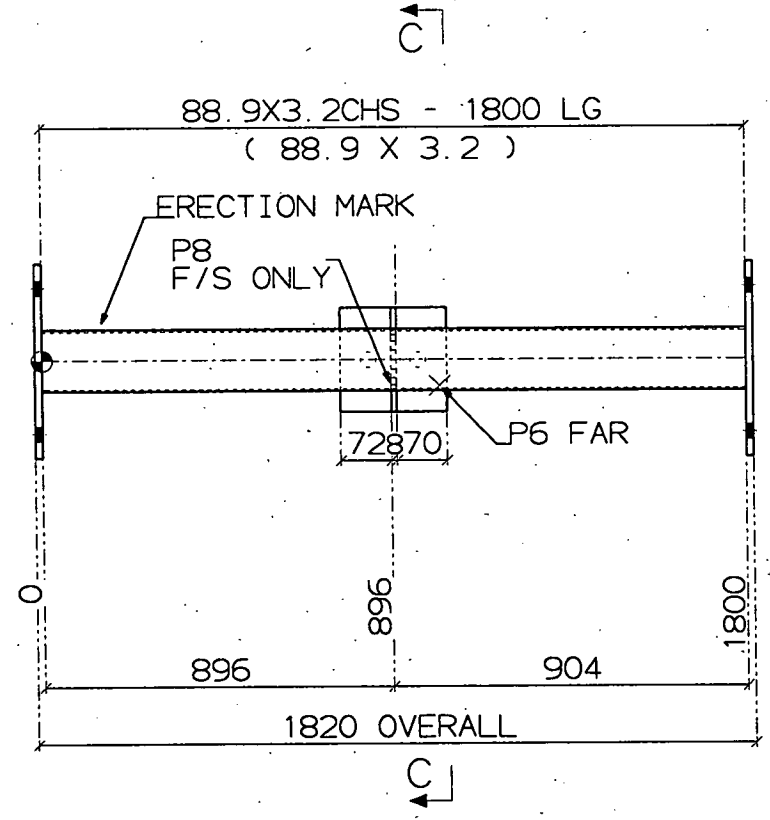
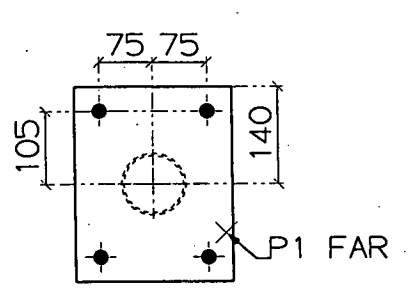




SHOP MATERIAL LIST FOR 1 ASSEMBLY							
MARK	SIZE	GRADE	LENGTH MM	No	AREA M2	WEIGHT KG	
1003	88.9X3.2CHS	43A	1800	1	0.49	12.2	
P1	220X10FLAT	43A	280	2	0.27	9.7	
P6	150X8FLAT	43A	150	1	0.05	1.4	
P8	150X8FLAT	43A	114	1	0.04	1.1	
TOTAL						0.84	24.3

LOCATION LIST	
GRID LOC.	GRID LOC.
-929/-22300/2000	1043/-22300/2000

RADIAL CUT DIMS GIVEN TO INTERSECTION POINTS



220X10FLAT X 280
2 X P1

150X8FLAT X 150
1 X P6


F/S FITTINGS

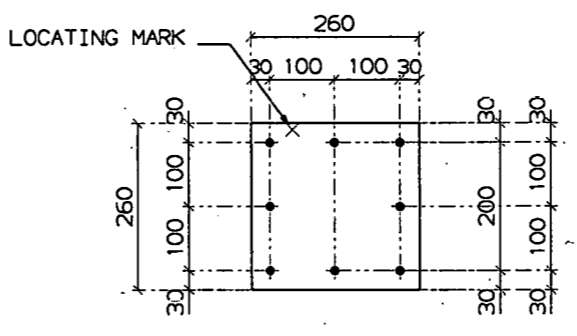
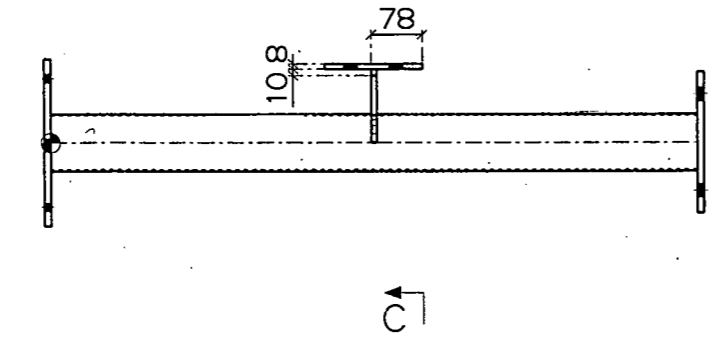
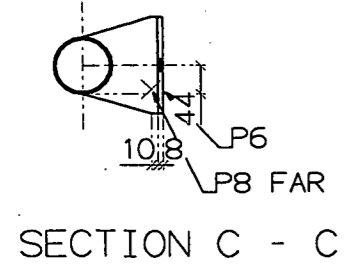
1 REQUIRED AS DRAWN MARKED 1003

PHASE 1
PRELIM 1004
FINISH GALV

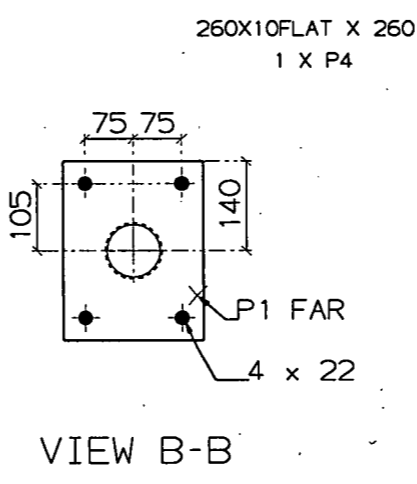
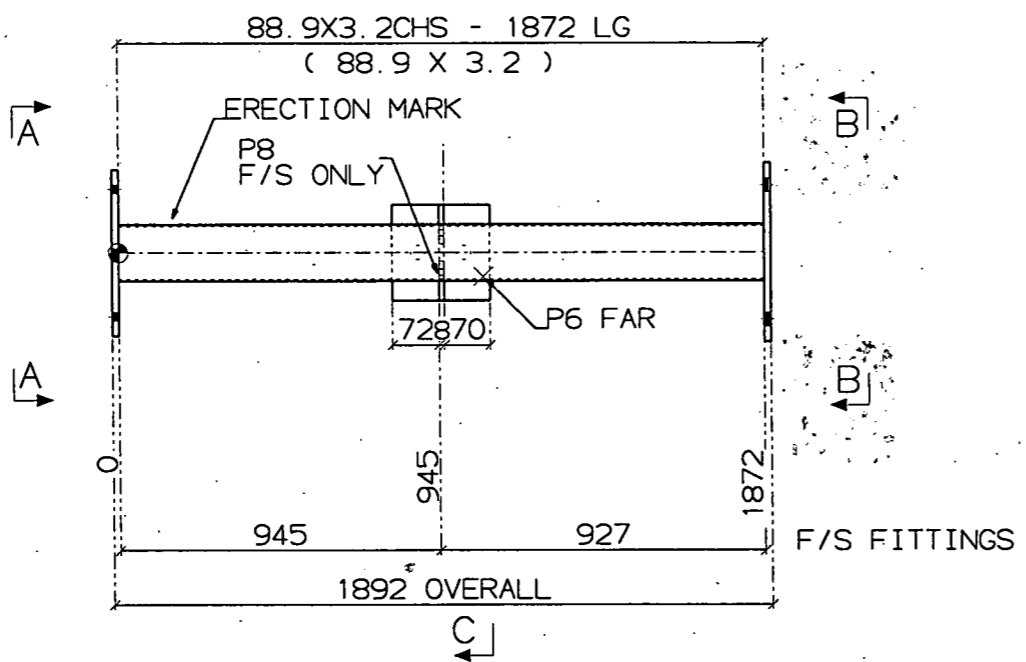
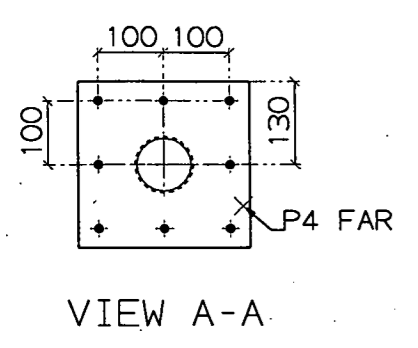
STRUCAD

⊕ SHOP BOLTS	◆ SITE BOLTS/HOLES
★ C/SUNK NEARSIDE	✱ C/SUNK FAR SIDE

				CLIENT	DRAWN	MUK	10/09/01	<h1>Metalwork U.K.</h1> <p>BLARLIATH INDUSTRIAL ESTATE TAIN ROSS-SHIRE IV191EB TEL: 01862 894002 FAX: 01862 894008</p> 			
				MORRISON CONSTRUCTION	CHECKED						
				PROJECT	GENERAL NOTES			SCALE	JOB No	DWG No.	REV
				CAIRNGORM FUNICULAR	ALL WELDS 6 mm UNO ALL HOLES 22 DIAM UNO TOTAL WEIGHT 24.3 Kg. STEEL GRADE 43A			NTS	M618	1003	
REV	BY	DATE	DETAILS	TITLE	TOP STATION						

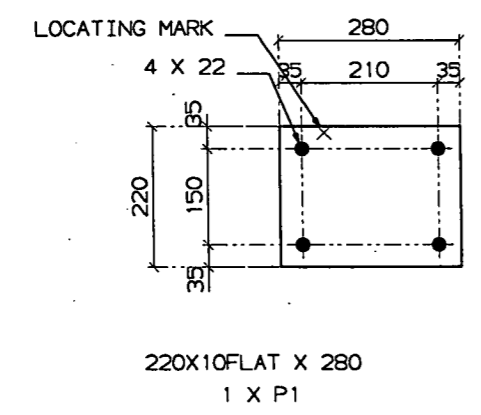
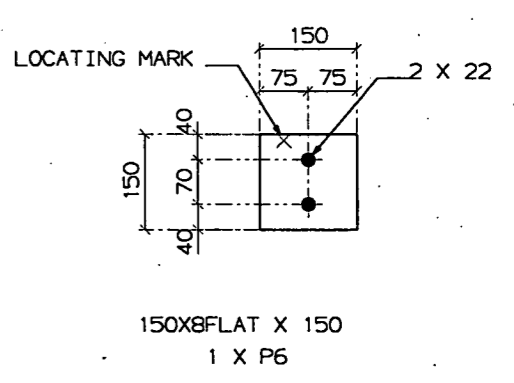
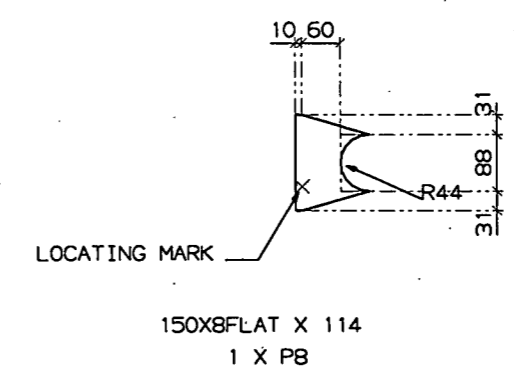


SHOP MATERIAL LIST FOR 1 ASSEMBLY						
MARK	SIZE	GRADE	LENGTH MM	No	AREA M2	WEIGHT KG
1004	88.9X3.2CHS	43A	1872	1	0.51	12.7
P1	220X10FLAT	43A	280	1	0.13	4.8
P4	260X10FLAT	43A	260	1	0.15	5.3
P6	150X8FLAT	43A	150	1	0.05	1.4
P8	150X8FLAT	43A	114	1	0.04	1.1
					TOTAL	0.88 25.3



LOCATION LIST	
GRID LOC.	GRID LOC.
-8805/-22300/2000	-6835/-22300/2000

RADIAL CUT DIMS GIVEN TO INTERSECTION POINTS



1 REQUIRED AS DRAWN MARKED 1004

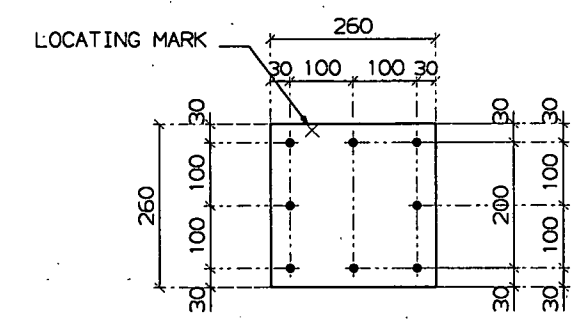
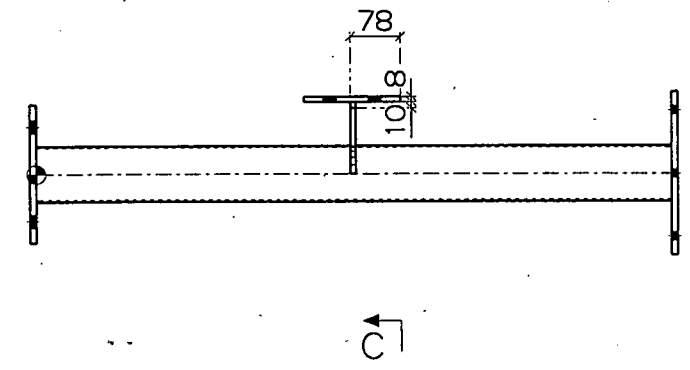
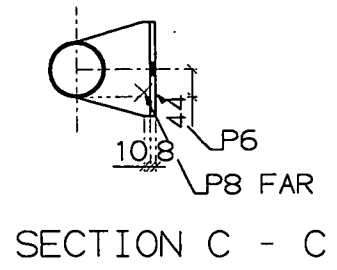
PHASE 1
PRELIM 1000
FINISH GALV

STRUCAD

⊕ SHOP BOLTS	◆ SITE BOLTS/HOLES
★ C/SUNK NEARSIDE	* C/SUNK FAR SIDE

				CLIENT	DRAWN	MUK	10/09/01	<h1>Metalwork U.K.</h1> BLARLIATH INDUSTRIAL ESTATE TAIN ROSS-SHIRE IV191EB TEL: 01862 894002 FAX: 01862 894008			
				MORRISON CONSTRUCTION	CHECKED						
				PROJECT	GENERAL NOTES ALL WELDS 6 mm UNO ALL HOLES 14 DIAM UNO TOTAL WEIGHT 25.3 Kg. STEEL GRADE 43A			SCALE	JOB No	DWG No.	REV
				CAIRNGORM FUNICULAR				NTS	M618	1004	
REV	BY	DATE	DETAILS	TITLE	TOP STATION						

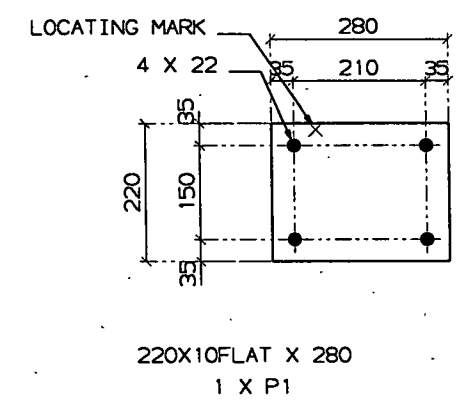
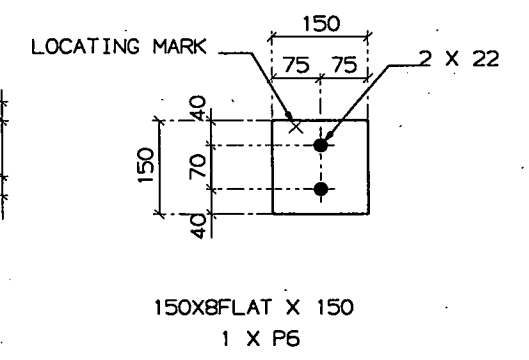
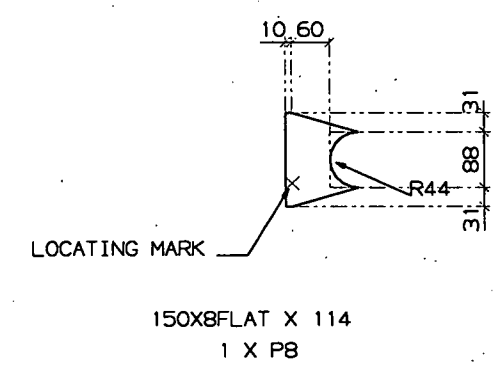
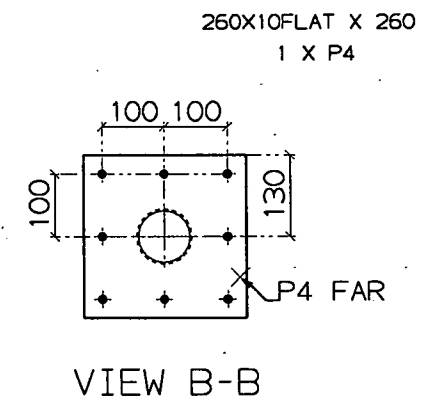
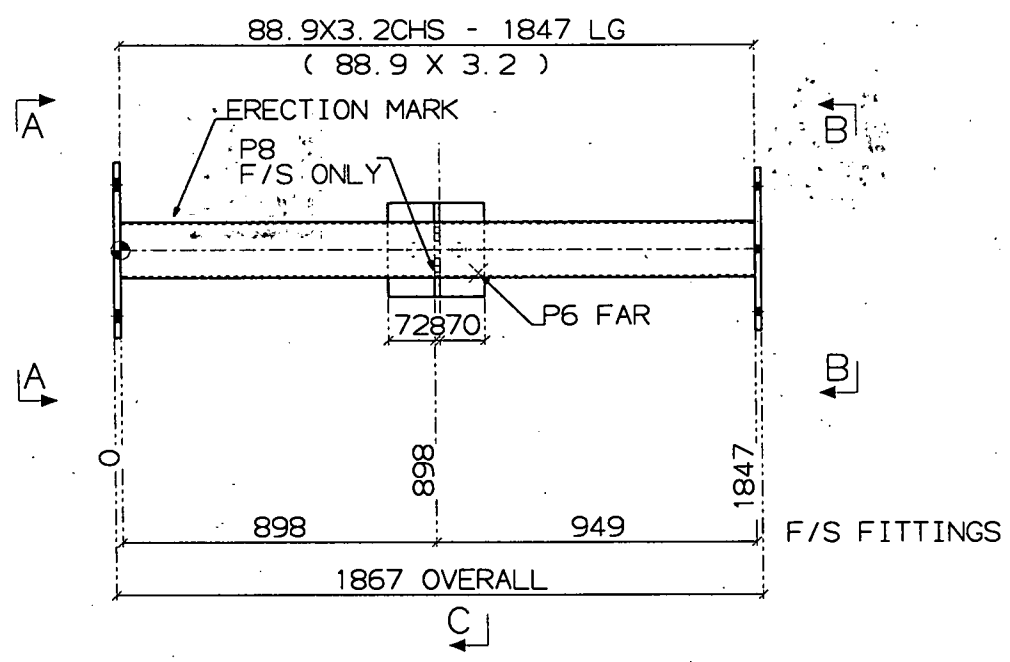
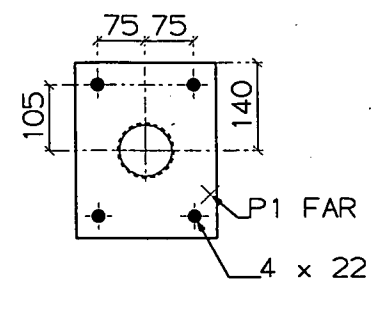




SHOP MATERIAL LIST FOR 1 ASSEMBLY						
MARK	SIZE	GRADE	LENGTH MM	No	AREA M2	WEIGHT KG
1005	88.9X3.2CHS	43A	1847	1	0.50	12.5
P1	220X10FLAT	43A	280	1	0.13	4.8
P4	260X10FLAT	43A	260	1	0.15	5.3
P6	150X8FLAT	43A	150	1	0.05	1.4
P8	150X8FLAT	43A	114	1	0.04	1.1
TOTAL						0.87 25.1

LOCATION LIST	
GRID LOC.	GRID LOC.
1043/-22300/2000	2988/-22300/2000


RADIAL CUT DIMS GIVEN TO INTERSECTION POINTS



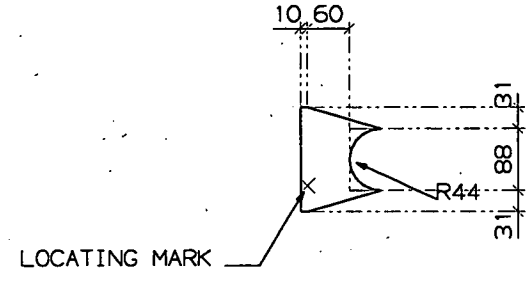
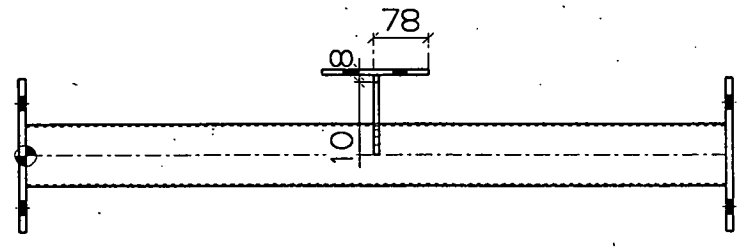
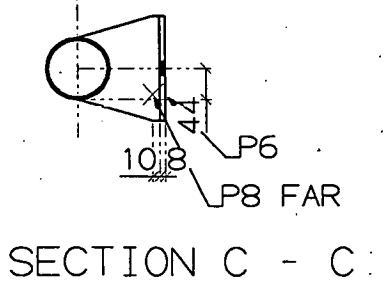
1 REQUIRED AS DRAWN MARKED 1005

PHASE 1
PRELIM 1005
FINISH GALV

⊕ SHOP BOLTS	◆ SITE BOLTS/HOLES
★ C/SUNK NEAR SIDE	✱ C/SUNK FAR SIDE

REV	BY	DATE	DETAILS	CLIENT	DRAWN	MUK	10/09/01	<h1>Metalwork U.K.</h1> <p>BLARLIATH INDUSTRIAL ESTATE TAIN ROSS-SHIRE IV191EB TEL: 01862 894002 FAX: 01862 894008</p> 				
				MORRISON CONSTRUCTION.	CHECKED				SCALE	JOB No	DWG No.	REV
				PROJECT	GENERAL NOTES				NTS	M618	1005	
				CAIRNGORM FUNICULAR	ALL WELDS 6 mm UNO. ALL HOLES 14 DIAM UNO TOTAL WEIGHT 25.1 Kg. STEEL GRADE 43A							
			TITLE	TOP STATION								

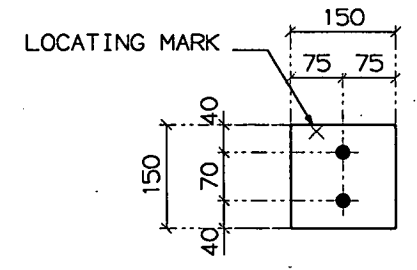
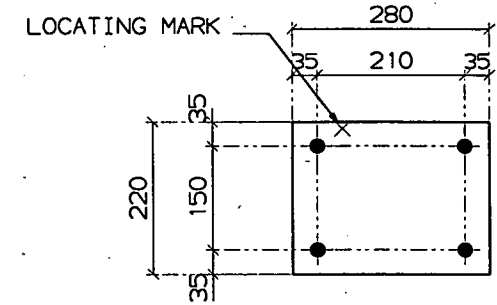
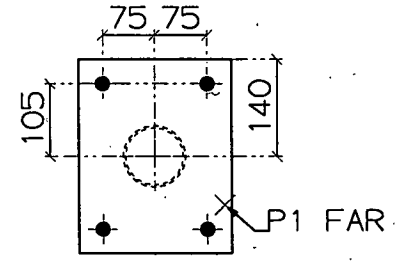
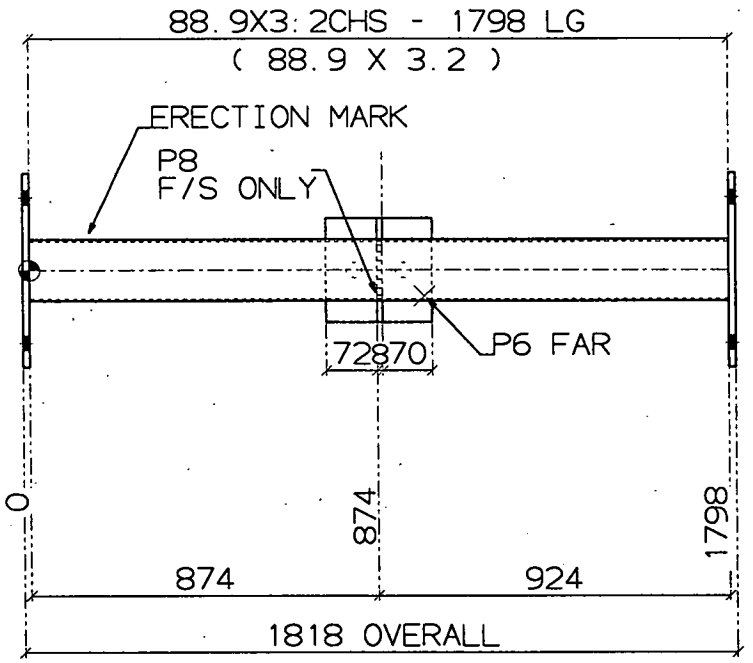
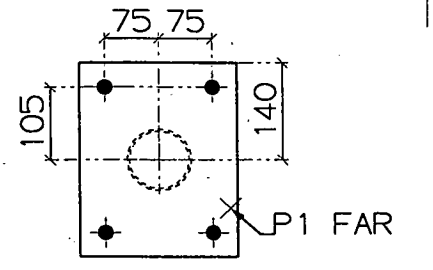
STRUCAD



SHOP MATERIAL LIST FOR 1 ASSEMBLY						
MARK	SIZE	GRADE	LENGTH MM	No	AREA M2	WEIGHT KG
1006	88.9X3.2CHS	43A	1798	1	0.49	12.2
P1	220X10FLAT	43A	280	2	0.27	9.7
P6	150X8FLAT	43A	150	1	0.05	1.4
P8	150X8FLAT	43A	114	1	0.04	1.1
TOTAL					0.84	24.3

LOCATION LIST	
GRID LOC.	GRID LOC.
1043/-14300/2000	-927/-14300/2000

RADIAL CUT DIMS GIVEN TO INTERSECTION POINTS



VIEW A-A

VIEW B-B

220X10FLAT X 280
2 X P1

150X8FLAT X 150
1 X P6

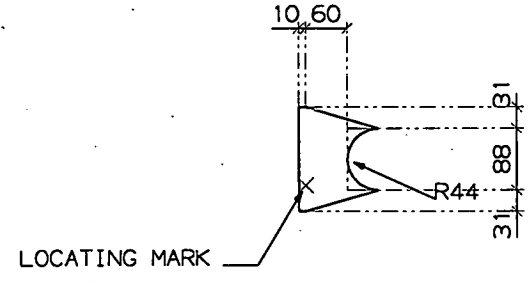
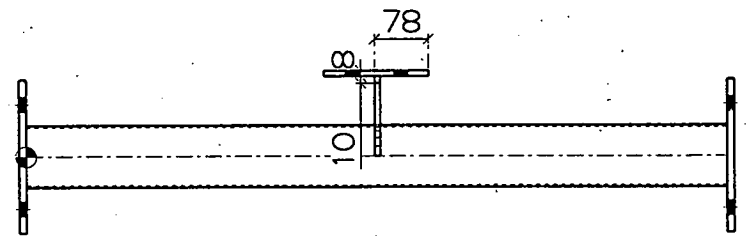
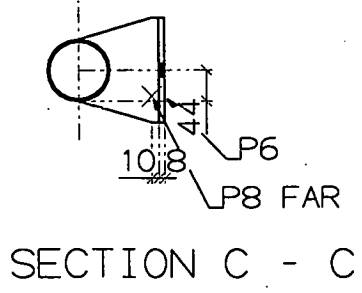
1 REQUIRED AS DRAWN MARKED 1006

PHASE 1
PRELIM 1010
FINISH GALV

STRUCAD

⊕ SHOP BOLTS	◆ SITE BOLTS/HOLES
★ C/SUNK NEAR SIDE	✱ C/SUNK FAR SIDE

				CLIENT	DRAWN	MUK	10/09/01	<h1>Metalwork U.K.</h1> BLARLIATH INDUSTRIAL ESTATE TAIN ROSS-SHIRE IV191EB TEL: 01862 894002 FAX: 01862 894008			
				MORRISON CONSTRUCTION	CHECKED						
				PROJECT	GENERAL NOTES			SCALE	JOB No	DWG No.	REV
				CAIRNGORM FUNICULAR	ALL WELDS 6 mm UNO ALL HOLES 22 DIAM UNO TOTAL WEIGHT 24.3 Kg. STEEL GRADE 43A			NTS	M618	1006	
REV	BY	DATE	DETAILS	TITLE	TOP STATION						

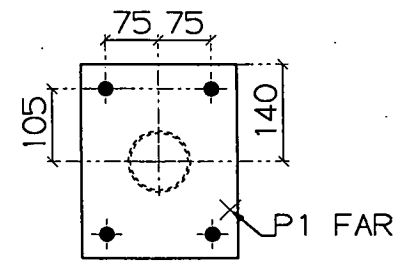


150X8FLAT X 114
1 X P8

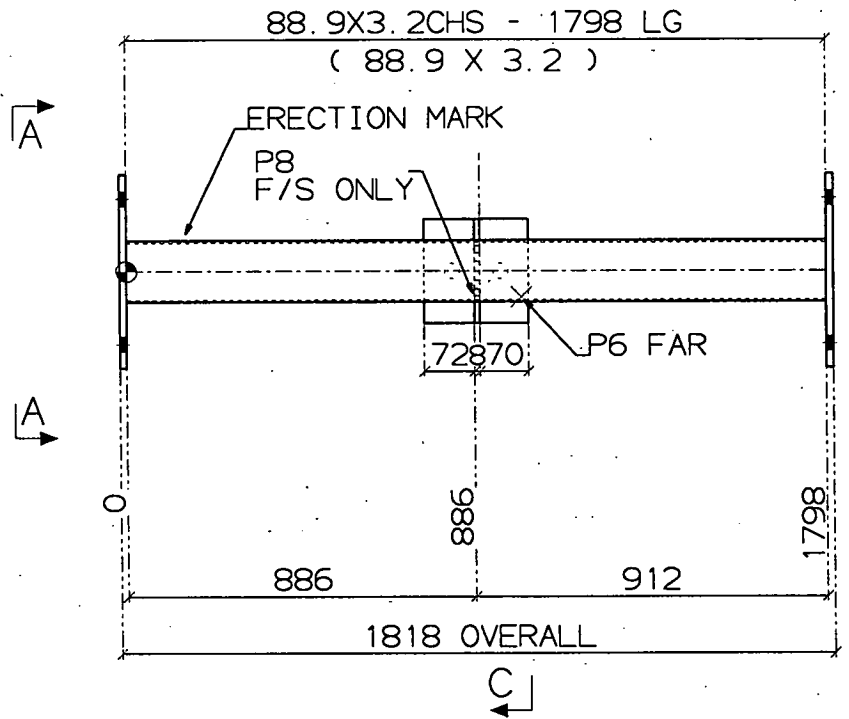
SHOP MATERIAL LIST FOR 1 ASSEMBLY						
MARK	SIZE	GRADE	LENGTH MM	No	AREA M2	WEIGHT KG
1007	88.9X3.2CHS	43A	1798	1	0.49	12.2
P1	220X10FLAT	43A	280	2	0.27	9.7
P6	150X8FLAT	43A	150	1	0.05	1.4
P8	150X8FLAT	43A	114	1	0.04	1.1
TOTAL					0.84	24.3

LOCATION LIST	
GRID LOC.	GRID LOC.
-927/-14300/2000	-2897/-14300/2000

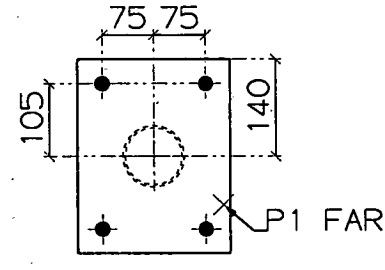
RADIAL CUT DIMS GIVEN TO INTERSECTION POINTS



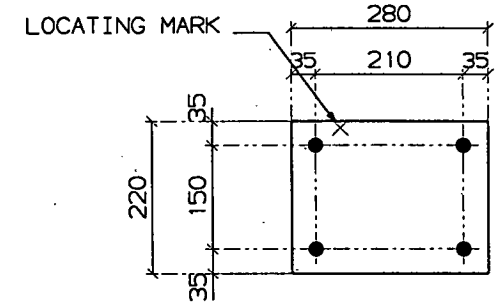
VIEW A-A



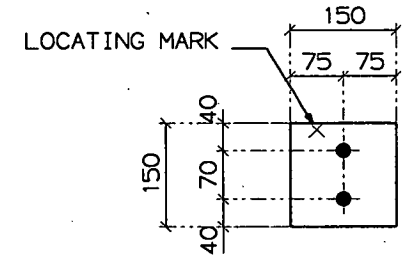
F/S FITTINGS



VIEW B-B



220X10FLAT X 280
2 X P1




150X8FLAT X 150
1 X P6

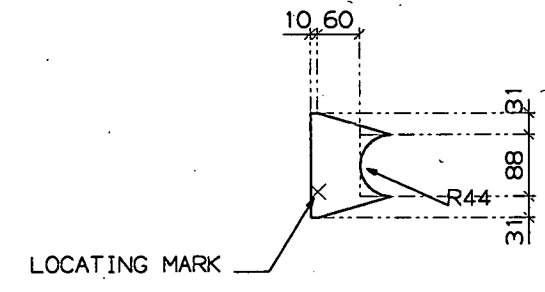
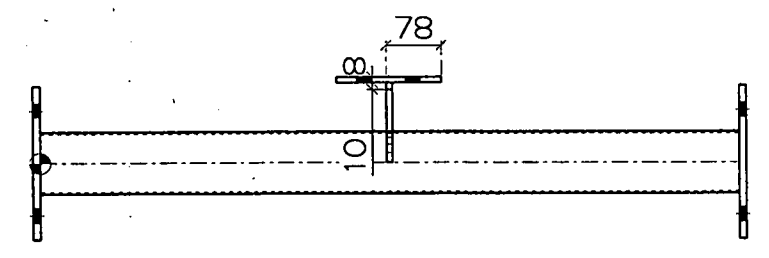
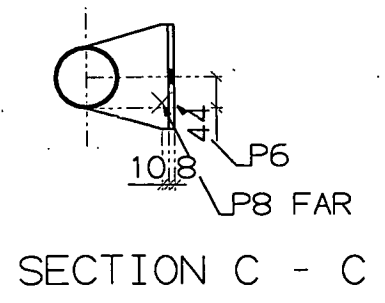
1 REQUIRED AS DRAWN MARKED 1007

PHASE 1
PRELIM 1009
FINISH GALV

⊕ SHOP BOLTS	◆ SITE BOLTS/HOLES
★ C/SUNK NEARSIDE	✱ C/SUNK FAR SIDE

				CLIENT	DRAWN	MUK	10/09/01	<h1>Metalwork U.K.</h1> <p>BLARLIATH INDUSTRIAL ESTATE TAIN ROSS-SHIRE IV191EB TEL: 01862 894002 FAX: 01862 894008</p> 			
				MORRISON CONSTRUCTION	CHECKED						
				PROJECT	GENERAL NOTES ALL WELDS 6 mm UNO ALL HOLES 22 DIAM UNO TOTAL WEIGHT 24.3 Kg. STEEL GRADE 43A.			SCALE	JOB No	DWG No.	REV
				CAIRNGORM FUNICULAR				NTS	M618	1007	
REV	BY	DATE	DETAILS	TITLE	TOP STATION						

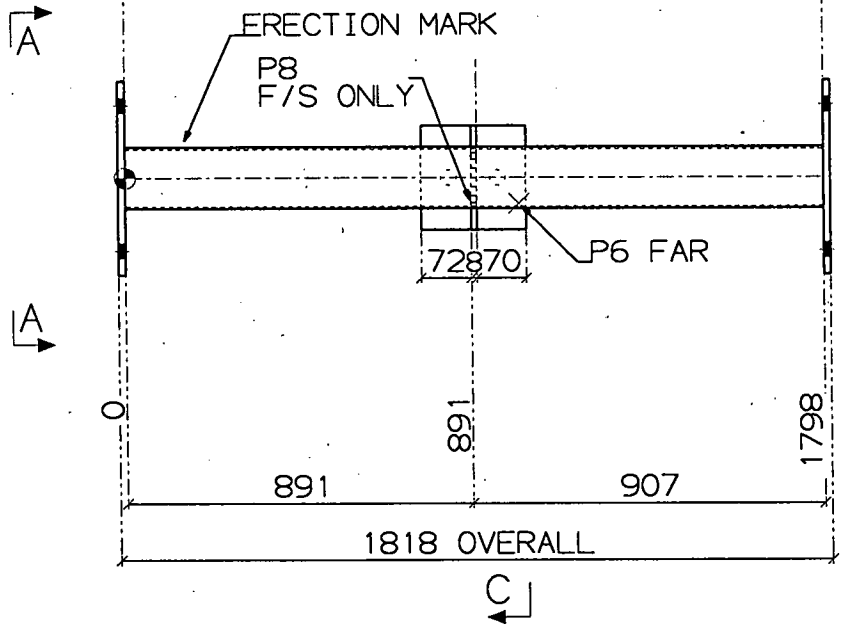
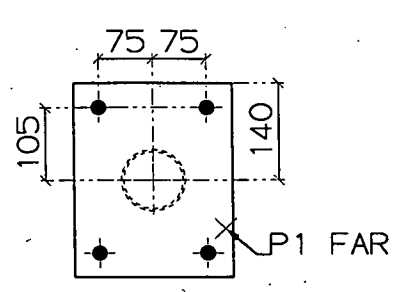
STRUCAD



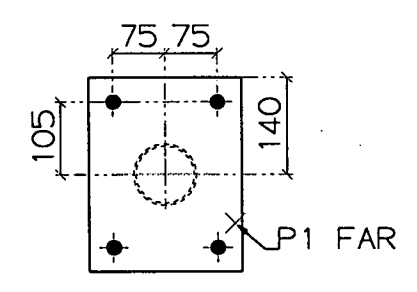
SHOP MATERIAL LIST FOR 1 ASSEMBLY						
MARK	SIZE	GRADE	LENGTH MM	No	AREA M2	WEIGHT KG
1008	88.9X3.2CHS	43A	1798	1	0.49	12.2
P1	220X10FLAT	43A	280	2	0.27	9.7
P6	150X8FLAT	43A	150	1	0.05	1.4
P8	150X8FLAT	43A	114	1	0.04	1.1
TOTAL					0.84	24.3

LOCATION LIST	
GRID LOC.	GRID LOC.
-2897/-14300/2000	-4867/-14300/2000

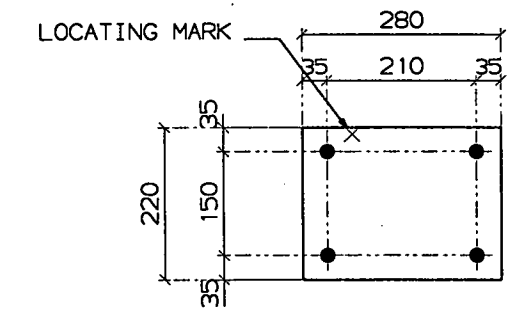
RADIAL CUT DIMS GIVEN TO INTERSECTION POINTS



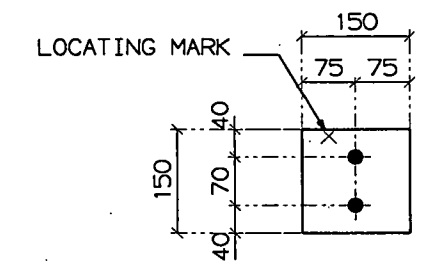
F/S FITTINGS



VIEW B-B



220X10FLAT X 280
2 X P1




150X8FLAT X 150
1 X P6

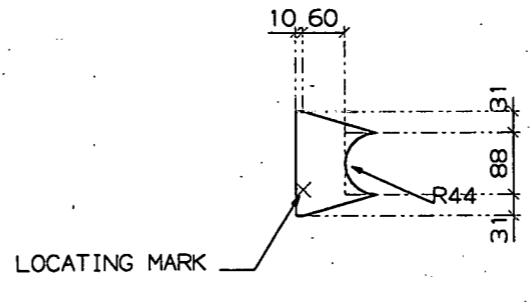
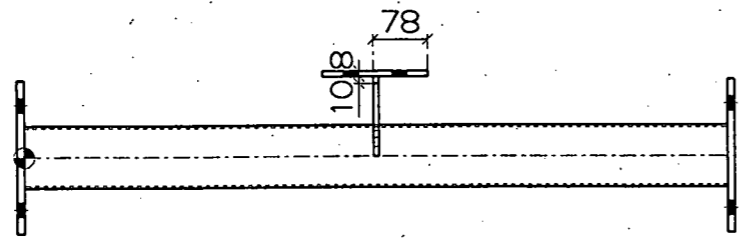
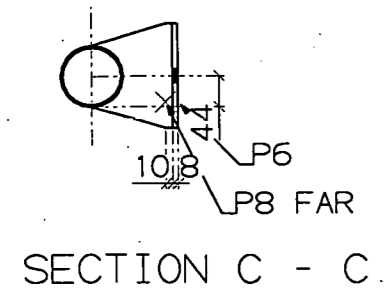
1 REQUIRED AS DRAWN MARKED 1008

PHASE 1
PRELIM 1008
FINISH GALV

STRUCAD

⊕ SHOP BOLTS	◆ SITE BOLTS/HOLES
★ C/SUNK NEARSIDE	✱ C/SUNK FAR SIDE

				CLIENT	DRAWN	MUK	10/09/01	<h1>Metalwork U.K.</h1> <p>BLARLIATH INDUSTRIAL ESTATE TAIN ROSS-SHIRE IV191EB TEL.: 01862 894002 FAX: 01862 894008</p> 			
				MORRISON CONSTRUCTION	CHECKED						
				PROJECT	GENERAL NOTES						
				CAIRNGORM FUNICULAR	ALL WELDS 6 mm UNO ALL HOLES 22 DIAM UNO TOTAL WEIGHT 24.3 Kg. STEEL GRADE 43A			SCALE	JOB No	DWG No.	REV
REV	BY	DATE	DETAILS	TITLE	TOP STATION			NTS	M618	1008	

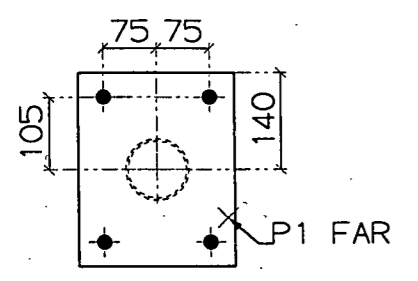


150X8FLAT X 114
1 X P8

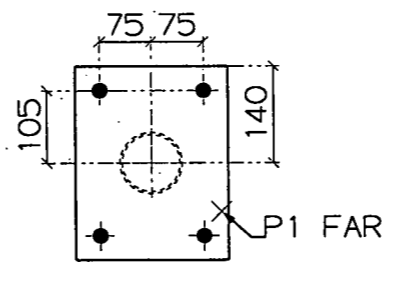
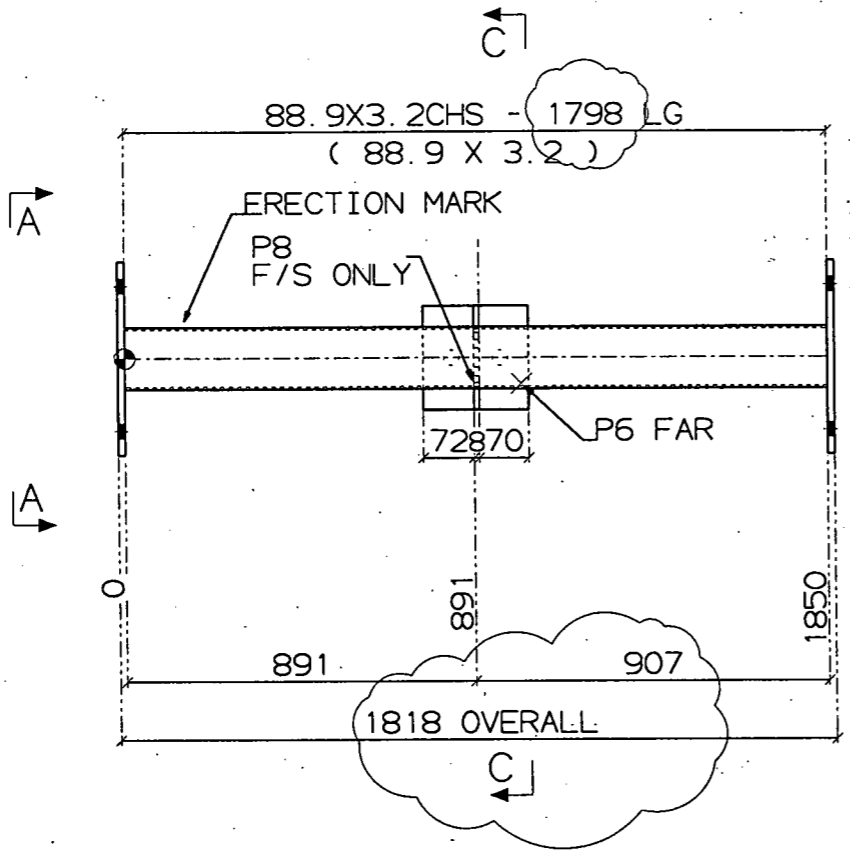
SHOP MATERIAL LIST FOR 1 ASSEMBLY						
MARK	SIZE	GRADE	LENGTH MM	No	AREA M2	WEIGHT KG
1009	88.9X3.2CHS	43A	1798	1	0.50	12.5
P1	220X10FLAT	43A	280	2	0.27	9.7
P6	150X8FLAT	43A	150	1	0.05	1.4
P8	150X8FLAT	43A	114	1	0.04	1.1
TOTAL					0.86	24.7

LOCATION LIST	
GRID LOC.	GRID LOC.
-4867/-14300/2000	-6889/-14300/2000

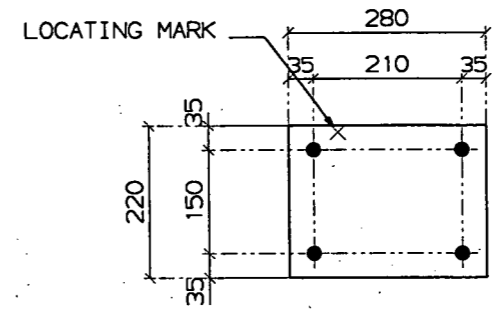
RADIAL CUT DIMS GIVEN TO INTERSECTION POINTS



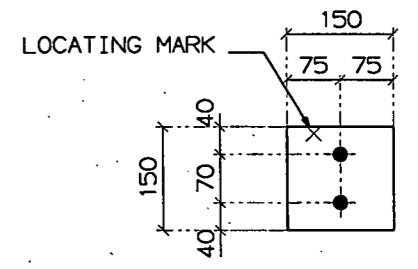
VIEW A-A



VIEW B-B



220X10FLAT X 280
2 X P1




150X8FLAT X 150
1 X P6

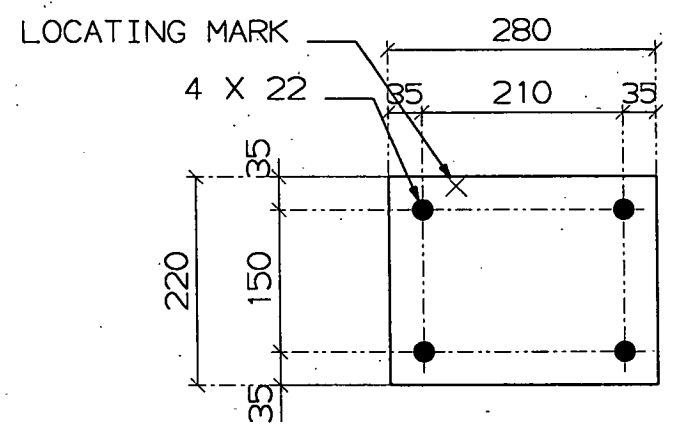
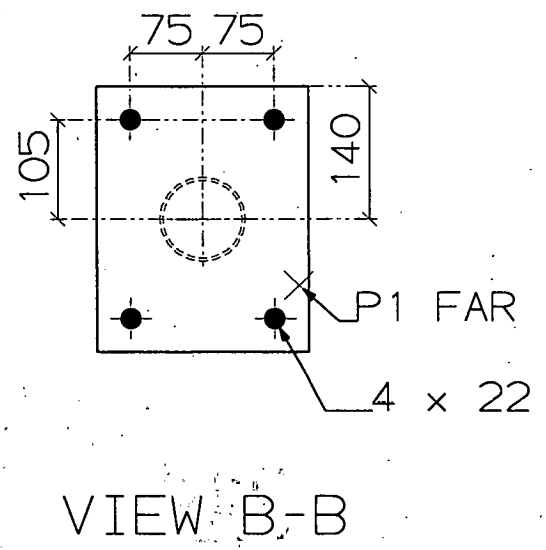
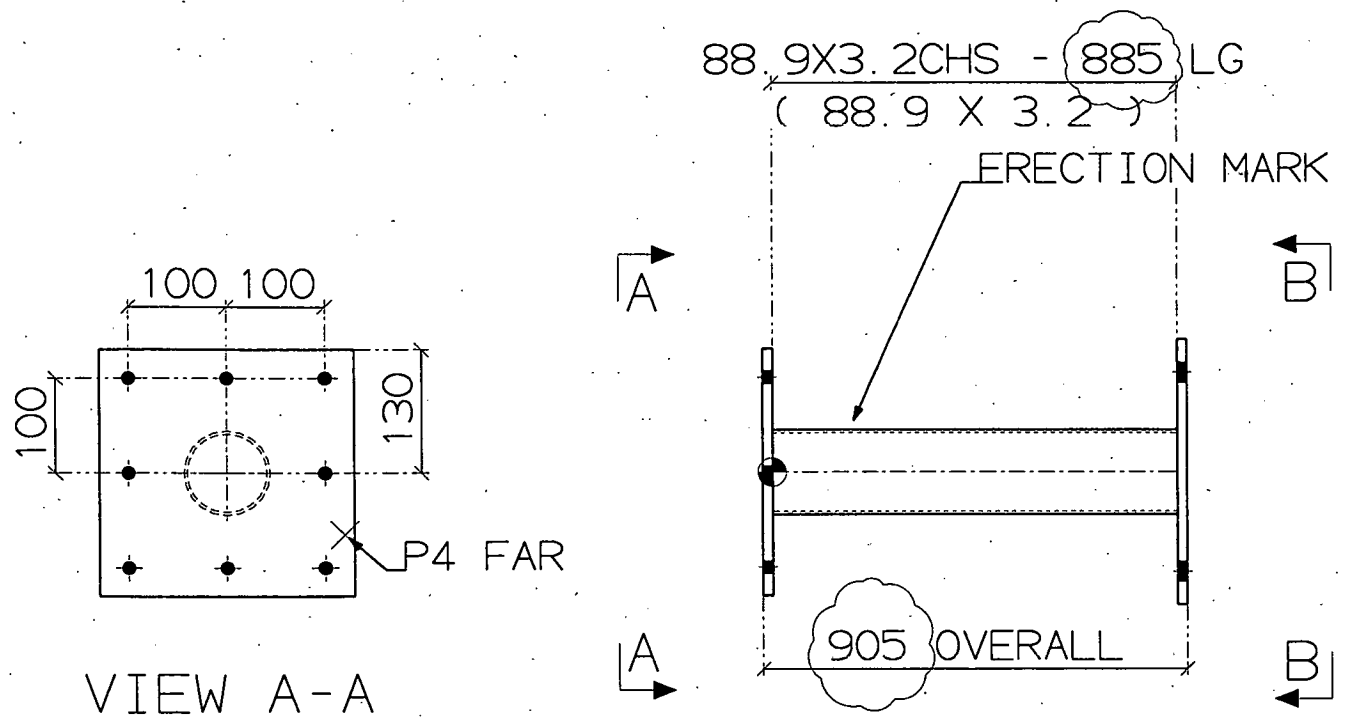
1 REQUIRED AS DRAWN MARKED 1009

PHASE 1
PRELIM 1007
FINISH GALV

STRUCAD

⊕ SHOP BOLTS	◆ SITE BOLTS/HOLES
★ C/SUNK NEARSIDE	✱ C/SUNK FAR SIDE

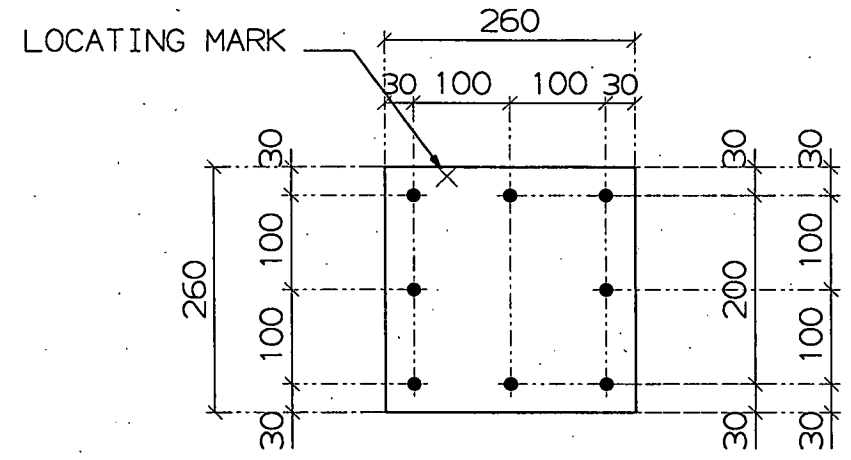
				CLIENT	DRAWN	MUK	10/09/01	<h1>Metalwork U.K.</h1> <p>BLARLIATH INDUSTRIAL ESTATE TAIN ROSS-SHIRE IV191EB TEL: 01862 894002 FAX: 01862 894008</p> 			
				MORRISON CONSTRUCTION	CHECKED						
				PROJECT	GENERAL NOTES			SCALE	JOB No	DWG No.	REV
A	MUK	20/09/09	SHORTENED	CAIRNGORM FUNICULAR	ALL WELDS 6 mm UNO ALL HOLES 22 DIAM UNO TOTAL WEIGHT 24.7 Kg. STEEL GRADE 43A			NTS	M618	1009	
REV	BY	DATE	DETAILS	TITLE	TOP STATION						



220X10FLAT X 280
1 X P1

SHOP MATERIAL LIST FOR 1 ASSEMBLY							
MARK	SIZE	GRADE	LENGTH MM	No	AREA M2	WEIGHT KG	
1010	88.9X3.2CHS	43A	749	1	0.22	5.5	
P1	220X10FLAT	43A	280	1	0.13	4.8	
P4	260X10FLAT	43A	260	1	0.15	5.3	
TOTAL						0.50	15.7

LOCATION LIST	
GRID LOC.	GRID LOC.
1958/-14300/2000	1043/-14300/2000



260X10FLAT X 260
1 X P4

1 REQUIRED AS DRAWN MARKED 1010

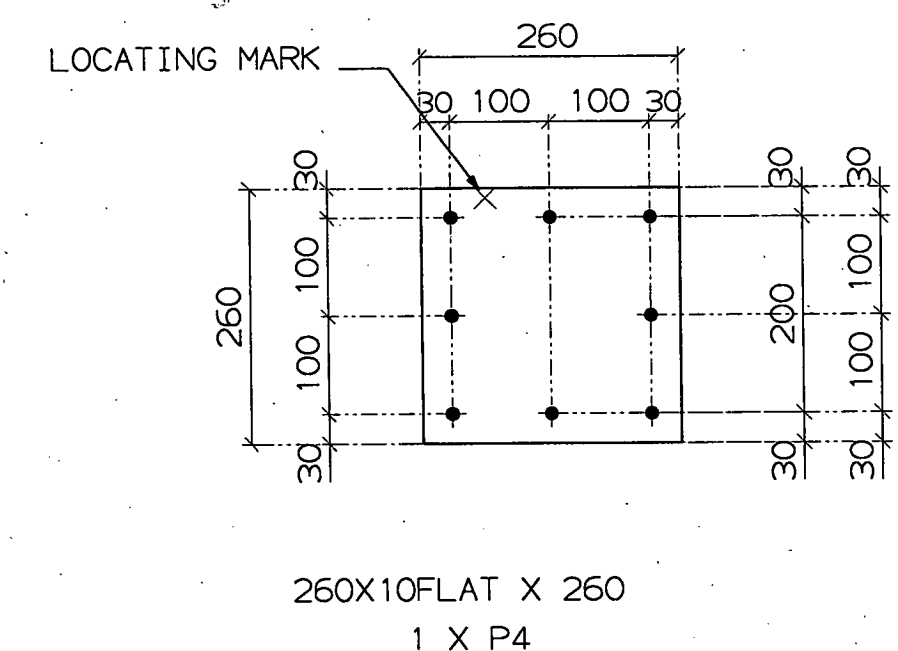
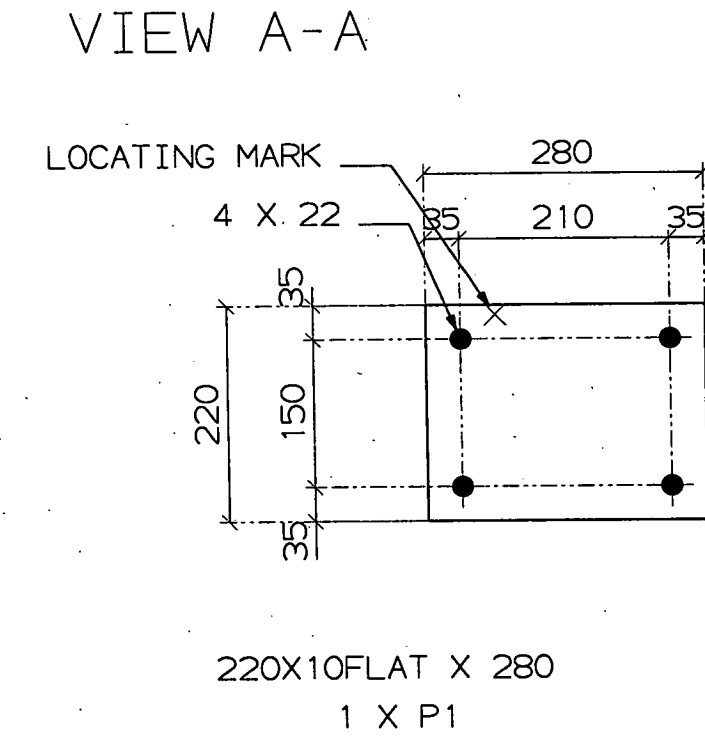
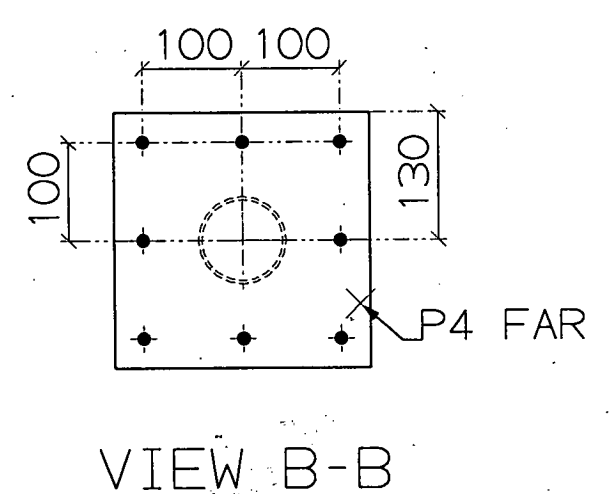
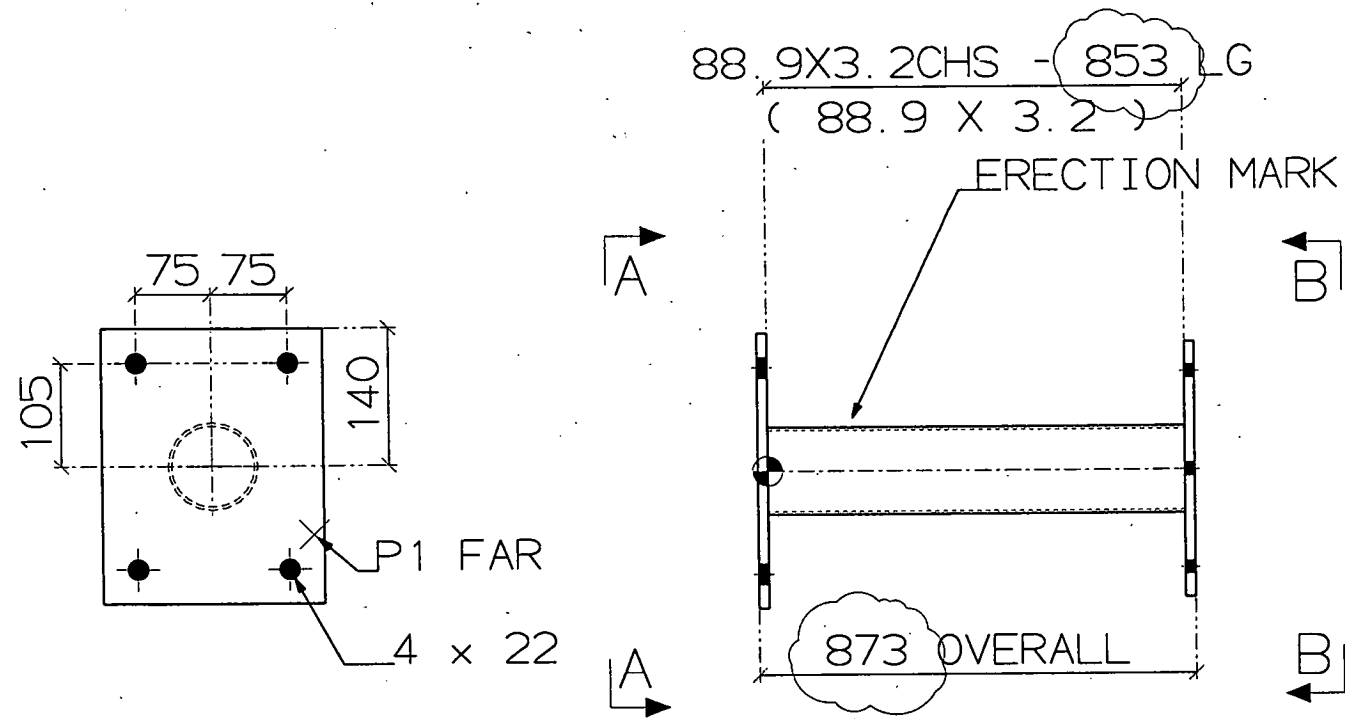
STRUCAD

PHASE 1
PRELIM 1011
FINISH GALV

⊕ SHOP BOLTS	◆ SITE BOLTS/HOLES
★ C/SUNK NEAR SIDE	* C/SUNK FAR SIDE

				CLIENT	DRAWN	MUK	10/09/01	Metalwork U.K. BLARLIATH INDUSTRIAL ESTATE TAIN ROSS-SHIRE IV191EB TEL: 01862 894002 FAX: 01862 894008			
				MORRISON CONSTRUCTION	CHECKED						
				PROJECT	GENERAL NOTES			SCALE	JOB No	DWG No.	REV
A	MUK	20/09/09	LENGTH ALTERED	CAIRNGORM FUNICULAR	ALL WELDS 6 mm UNO ALL HOLES 14 DIAM UNO TOTAL WEIGHT 15.7 Kg. STEEL GRADE 43A			NTS	M618	1010	A
REV	BY	DATE	DETAILS	TITLE	TOP STATION						





SHOP MATERIAL LIST FOR 1 ASSEMBLY						
MARK	SIZE	GRADE	LENGTH MM	No	AREA M2	WEIGHT KG
1011	88.9X3.2CHS	43A	853	1	0.21	5.2
P1	220X10FLAT	43A	280	1	0.13	4.8
P4	260X10FLAT	43A	260	1	0.15	5.3
TOTAL					0.49	15.4

LOCATION LIST	
GRID LOC.	GRID LOC.
-6889/-14300/2000	-7759/-14300/2000

VIEW A-A

VIEW B-B

220X10FLAT X 280
1 X P1

260X10FLAT X 260
1 X P4

1 REQUIRED AS DRAWN MARKED 1011

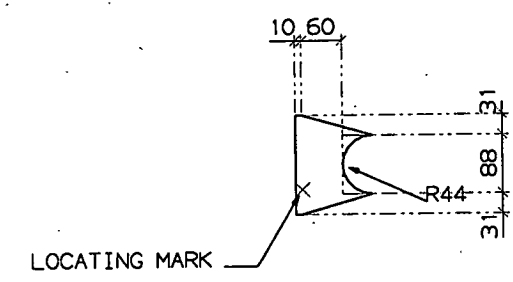
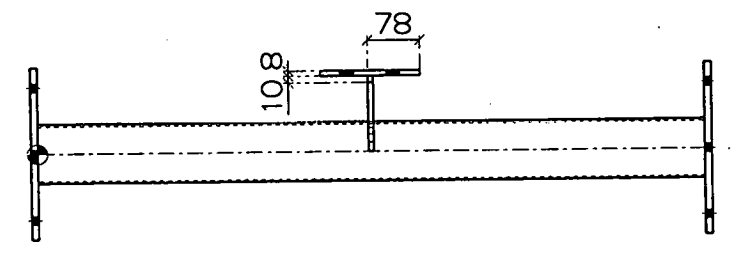
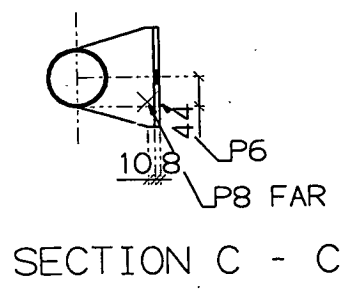
PHASE 1
PRELIM 1006
FINISH GALV

STRUCAD

⊕ SHOP BOLTS	◆ SITE BOLTS/HOLES
* C/SUNK NEARSIDE	* C/SUNK FAR SIDE

				CLIENT	DRAWN	MUK	10/09/01	<h1>Metalwork U.K.</h1> BLARLIATH INDUSTRIAL ESTATE TAIN ROSS-SHIRE IV191EB TEL: 01862 894002 FAX: 01862 894008			
				MORRISON CONSTRUCTION	CHECKED						
				PROJECT	GENERAL NOTES ALL WELDS 6 mm UNO ALL HOLES 14 DIAM UNO TOTAL WEIGHT 15.4 Kg. STEEL GRADE 43A			SCALE	JOB No	DWG No.	REV
A	MUK	20/09/09	LENGTH ALTERED	CAIRNGORM FUNICULAR				NTS	M618	1011	A
REV	BY	DATE	DETAILS	TITLE							
				TOP STATION							



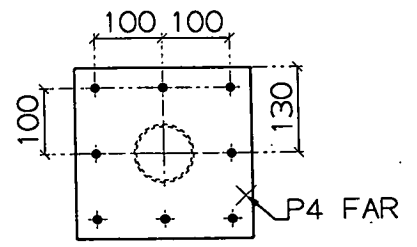


150X8FLAT X 114
1 X P8

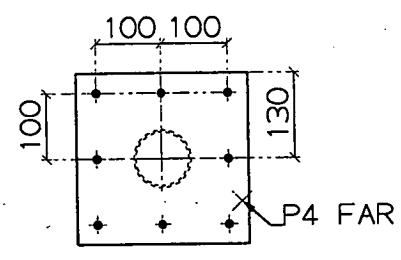
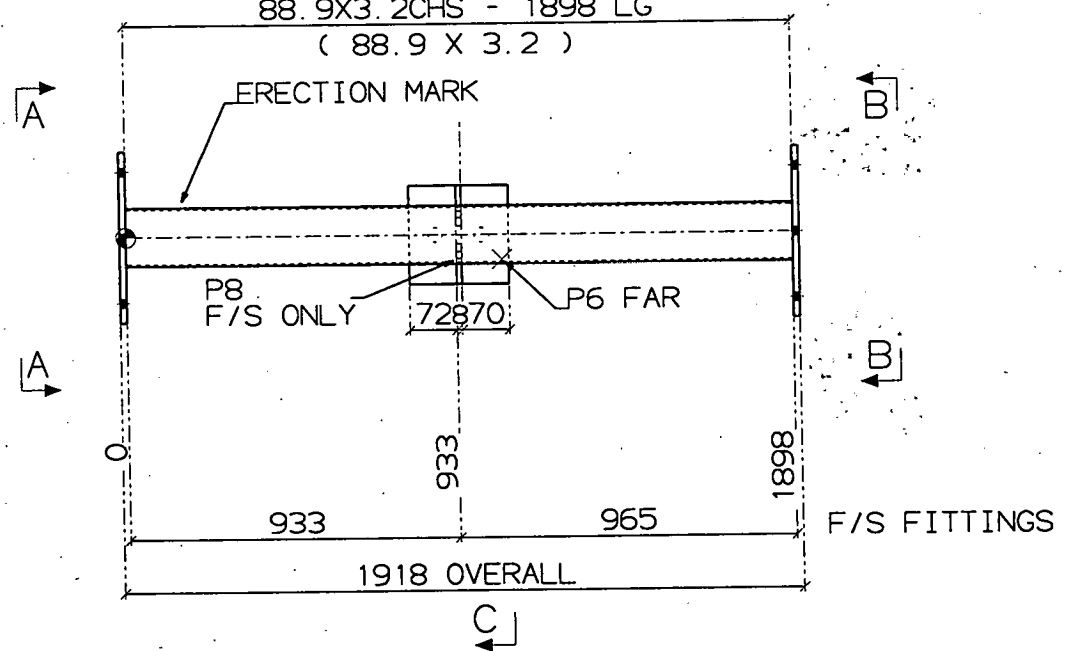
SHOP MATERIAL LIST FOR 1 ASSEMBLY						
MARK	SIZE	GRADE	LENGTH MM	No	AREA M2	WEIGHT KG
1012	88.9X3.2CHS	43A	1898	1	0.52	12.8
P4	260X10FLAT	43A	260	2	0.29	10.6
P6	150X8FLAT	43A	150	1	0.05	1.4
P8	150X8FLAT	43A	114	1	0.04	1.1
TOTAL						0.90 25.9

LOCATION LIST	
GRID LOC.	GRID LOC.
-13213/-22708/0	-11291/-22708/0

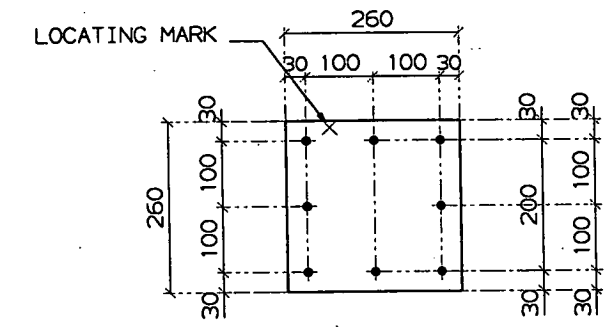
RADIAL CUT DIMS GIVEN TO INTERSECTION POINTS



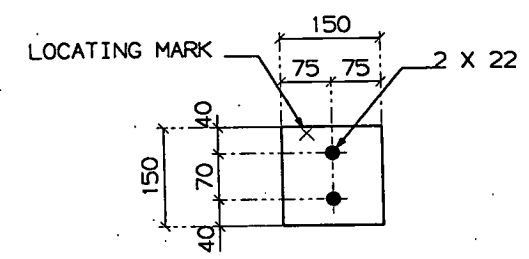
VIEW A-A



VIEW B-B



260X10FLAT X 260
2 X P4




150X8FLAT X 150
1 X P6

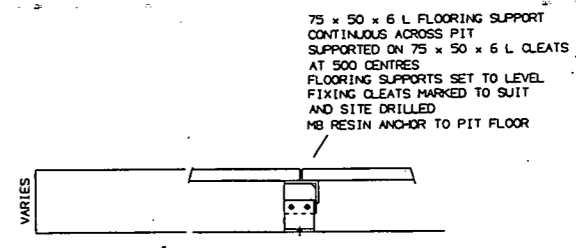
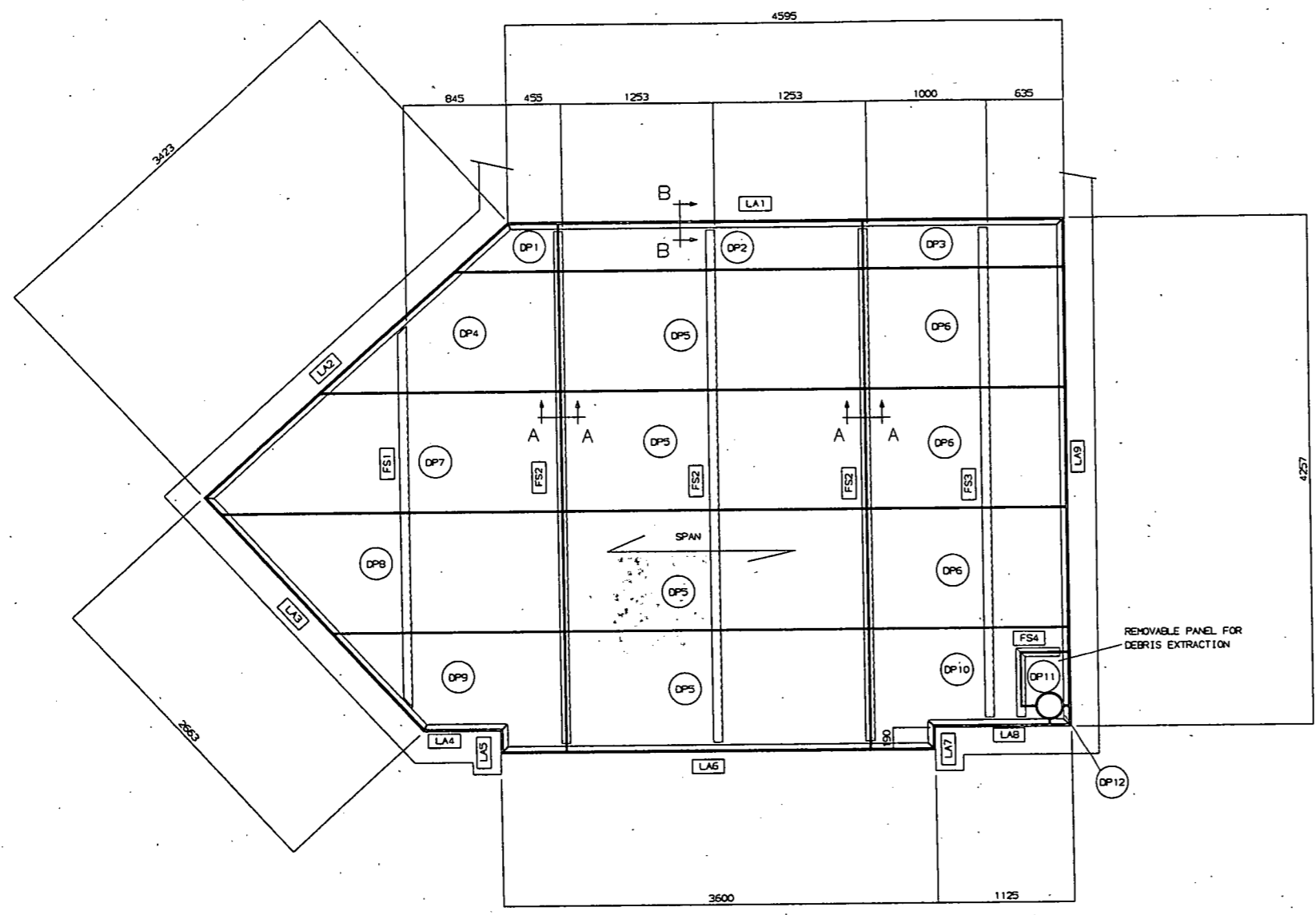
1 REQUIRED AS DRAWN MARKED 1012

PHASE 1
PRELIM 1012
FINISH GALV

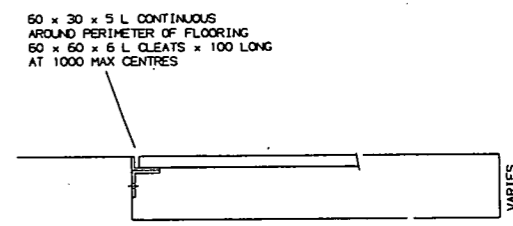
STRUCAD

⊕ SHOP BOLTS	◆ SITE BOLTS/HOLES
★ C/SUNK NEARSIDE	✱ C/SUNK FAR SIDE

				CLIENT	DRAWN	MUK	20/09/01	<h1>Metalwork U.K.</h1> <p>BLARLIATH INDUSTRIAL ESTATE TAIN ROSS-SHIRE IV191EB TEL: 01862 894002 FAX: 01862 894008</p> 			
				MORRISON CONSTRUCTION	CHECKED						
				PROJECT	GENERAL NOTES ALL WELDS 6 mm UNO ALL HOLES 14 DIAM UNO TOTAL WEIGHT 25.9 Kg. STEEL GRADE 43A			SCALE	JOB No	DWG No.	REV
				CAIRNGORM FUNICULAR				NTS	M618	1012	
REV	BY	DATE	DETAILS	TITLE	TOP STATION						



SECTION A-A



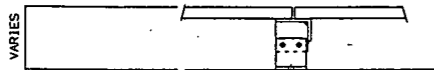
SECTION B-B

FLOORING IS 30/100 PATTERN OPEN MESH WITH 25 x 5 BEARING BARS BEARING BARS TO HAVE SERRATED TOP SURFACE

PLAN ON FLOORING PANELS
BOTTOM STATION AT DOOR (D1)

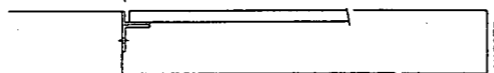
REV						BY						DATE						DETAILS						GENERAL NOTES						CLIENT MORRISON CONSTRUCTION LIMITED						DRAWN						CHECKED						Metalwork U.K. BLARLIATH INDUSTRIAL ESTATE TAIN ROSS-SHIRE IV19 1EB TEL: 01862 894002 FAX: 01862 894008					
PROJECT CAIRNGORM FUNICULAR						TITLE OPEN GRID FLOORING AT ENTRANCES						SCALE NTS						JOB No M 598						Dwg No GA 1						REV																							

75 x 50 x 6 L FLOORING SUPPORT
CONTINUOUS ACROSS PIT
SUPPORTED ON 75 x 50 x 6 L CLEATS
AT 500 CENTRES
FLOORING SUPPORTS SET TO LEVEL
FIXING CLEATS MARKED TO SUIT
AND SITE DRILLED
M8 RESIN ANCHOR TO PIT FLOOR

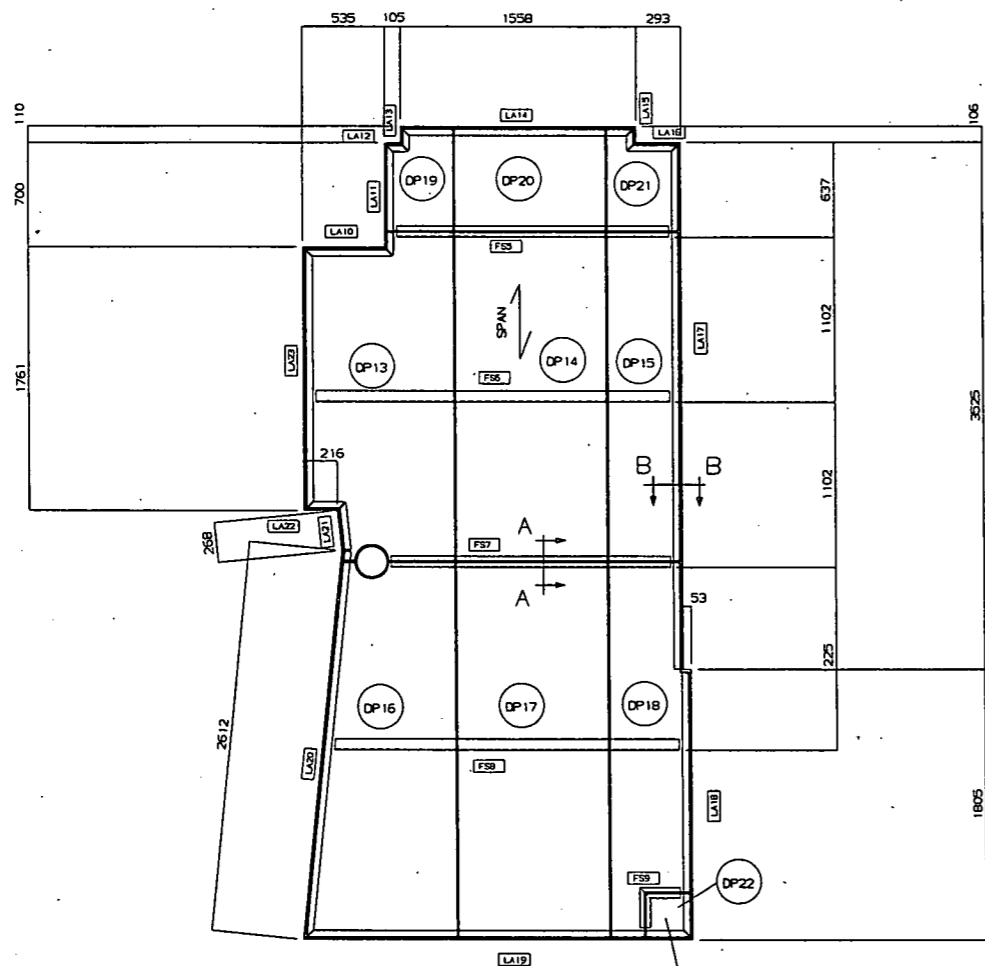


SECTION A-A

60 x 30 x 5 L CONTINUOUS
AROUND PERIMETER OF FLOORING
60 x 60 x 6 L CLEATS x 100 LONG
AT 1000 MAX CENTRES

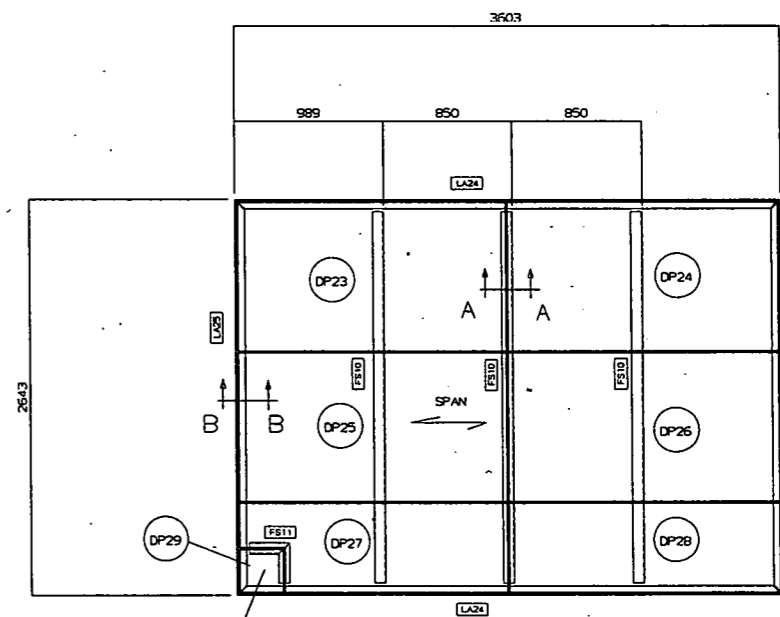


SECTION B-B



PLAN ON FLOORING PANELS
BOTTOM STATION AT DOOR (D3)

FLOORING IS 30/100 PATTERN OPEN MESH
WITH 25 x 5 BEARING BARS
BEARING BARS TO HAVE SERRATED TOP SURFACE




REMOVABLE PANEL FOR
DEBRIS EXTRACTION

PLAN ON FLOORING PANELS
BOTTOM STATION AT DOOR (D35)

REV	BY	DATE	DETAILS	REV	BY	DATE	DETAILS

GENERAL NOTES

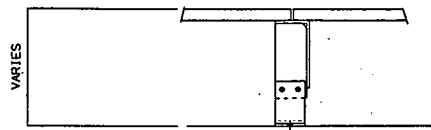
CLIENT  MORRISON CONSTRUCTION LIMITED
PROJECT CAIRNGORM FUNICULAR
TITLE OPEN GRID FLOORING AT ENTRANCES

DRAWN
CHECKED

Metalwork U.K.
BLARLATH INDUSTRIAL ESTATE
TAIN ROSS-SHIRE IV19 1EB
TEL: 01862 894002 FAX: 01862 894008

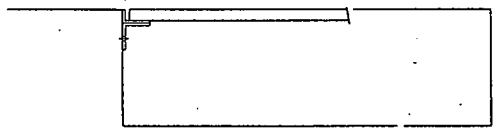
SCALE	JOB No	DWG No.	REV
NTS	M 598	GA 2	

100 x 75 x 10 L FLOORING SUPPORT
CONTINUOUS ACROSS PIT
SUPPORTED ON 130 x 65 x 8 BENT FLAT CLEATS
AT 500 CENTRES.
FLOORING SUPPORTS SET TO LEVEL
FIXING CLEATS MARKED TO SUIT
AND SITE DRILLED
M8 RESIN ANCHOR TO PIT FLOOR



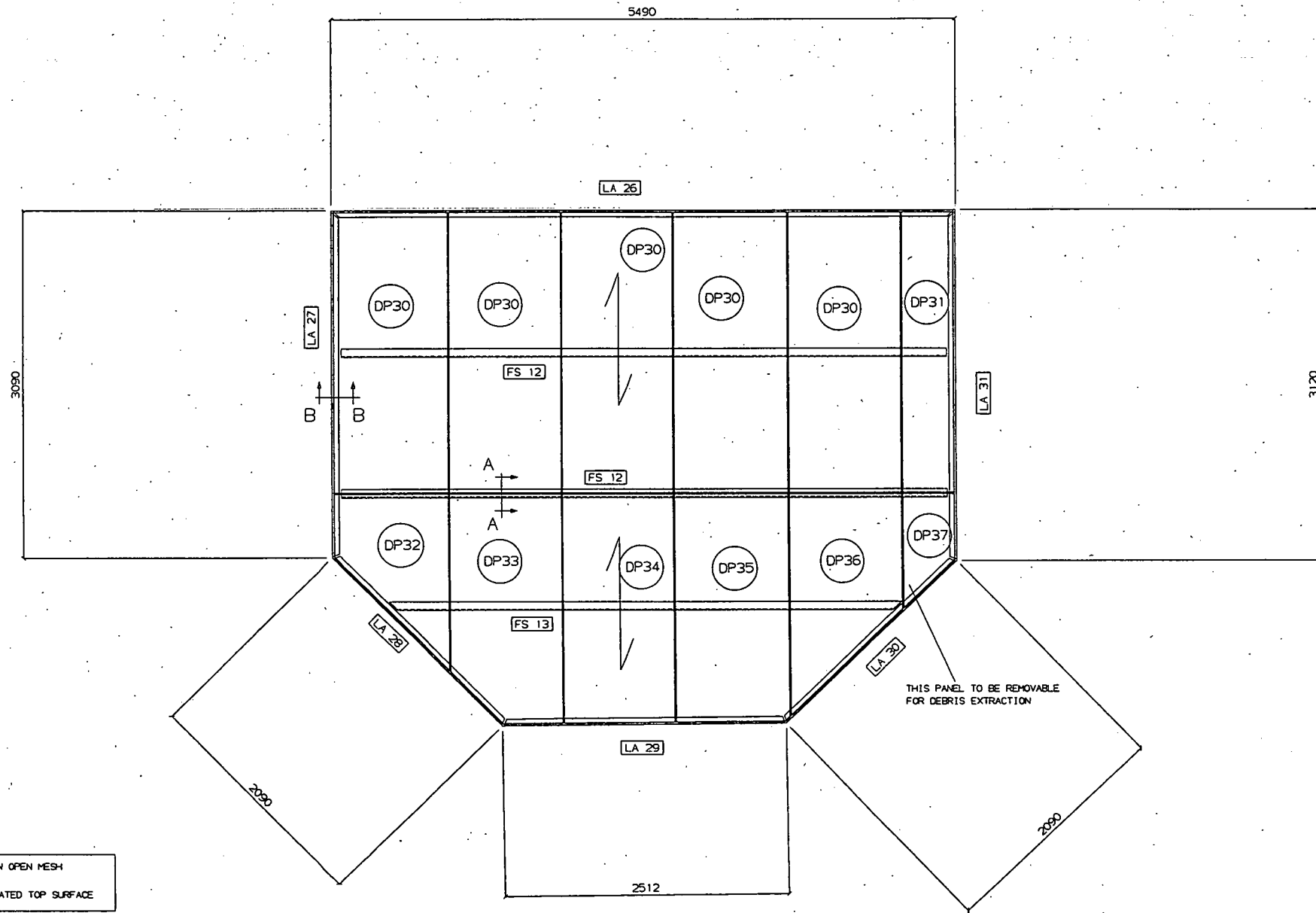
SECTION A-A

60 x 30 x 5 L CONTINUOUS
AROUND PERIMETER OF FLOORING
60 x 60 x 6 L CLEATS x 100 LONG
AT 1000 MAX CENTRES




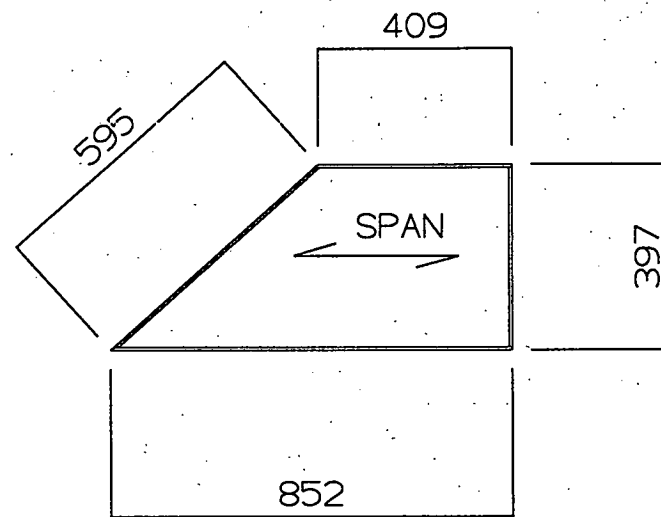
SECTION B-B

FLOORING IS 30/100 PATTERN OPEN MESH
WITH 25 x 5 BEARING BARS
BEARING BARS TO HAVE SERRATED TOP SURFACE





PLAN ON FLOORING PANELS
TOP STATION

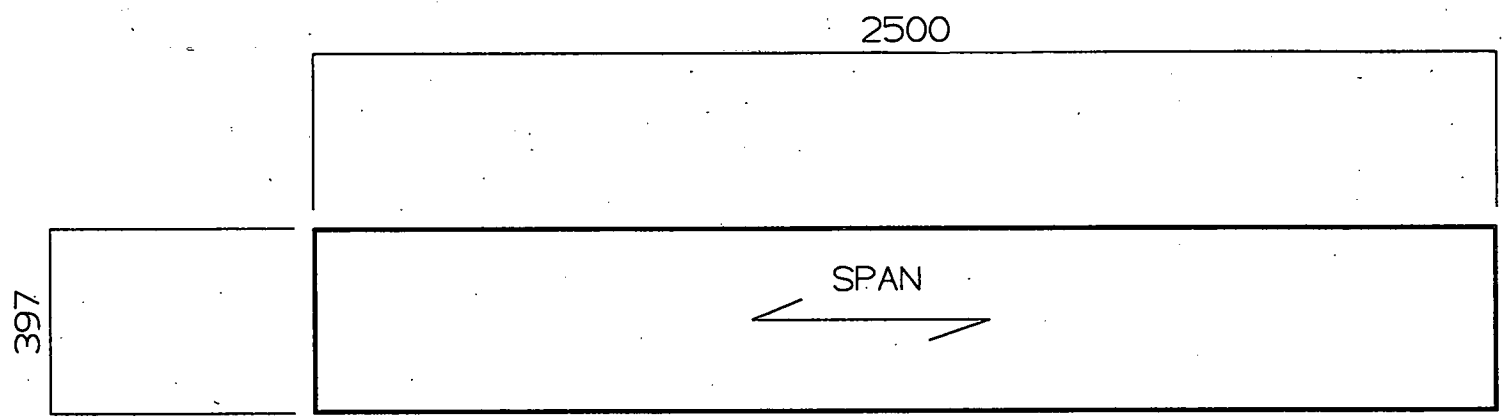
				GENERAL NOTES				CLIENT  MORRISON CONSTRUCTION LIMITED		DRAWN		Metalwork U.K. BLARLIATH INDUSTRIAL ESTATE TAIN ROSS-SHIRE IV19 1EB TEL: 01852 894002 FAX: 01852 894008	
								PROJECT CAIRNGORM FUNICULAR		CHECKED		SCALE	
A				SECTION A-A ALTERED				TITLE OPEN GRID FLOORING AT ENTRANCES				JOB No	
REV	BY	DATE	DETAILS	REV	BY	DATE	DETAILS			DWG No.		REV	
										NTS		A	
										M 598			
										GA 3			



FLOORING IS 30/100 PATTERN OPEN MESH
 WITH 25 x 5 BEARING BARS
 BEARING BARS TO HAVE SERRATED TOP SURFACE
 PANEL VIEWED LOOKING ON TOP SURFACE


1 No PANEL REQUIRED AS DRAWN MKD DP 1

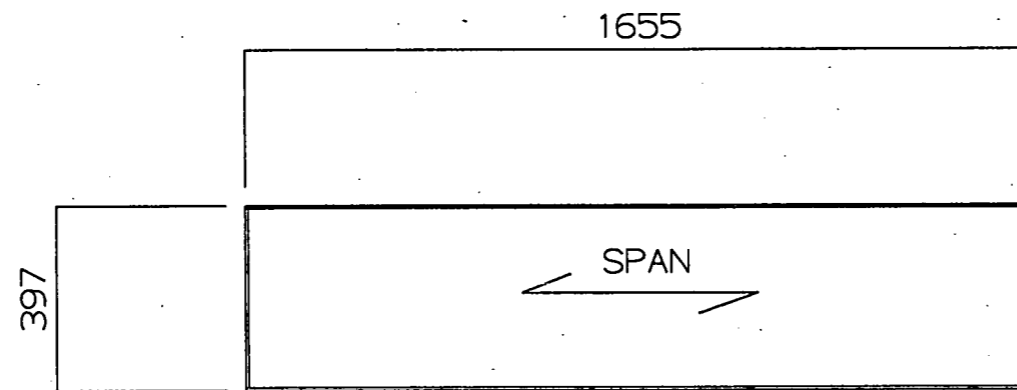
				CLIENT	DRAWN	MUK		Metalwork U.K. BLARLIATH INDUSTRIAL ESTATE TAIN ROSS-SHIRE IV191EB TEL: 01862 894002 FAX: 01862 894008				
				 MORRISON CONSTRUCTION LIMITED	CHECKED	MUK						
				PROJECT	GENERAL NOTES				SCALE	JOB No	DWG No.	REV
				CAIRNGORM FUNICULAR					NTS	M 598	DP 1	
REV	BY	DATE	DETAILS	TITLE	OPEN GRID FLOORING							



FLOORING IS 30/100 PATTERN OPEN MESH
 WITH 25 x 5 BEARING BARS
 BEARING BARS TO HAVE SERRATED TOP SURFACE
 PANEL VIEWED LOOKING ON TOP SURFACE



1 No PANEL REQUIRED AS DRAWN MKD DP 2

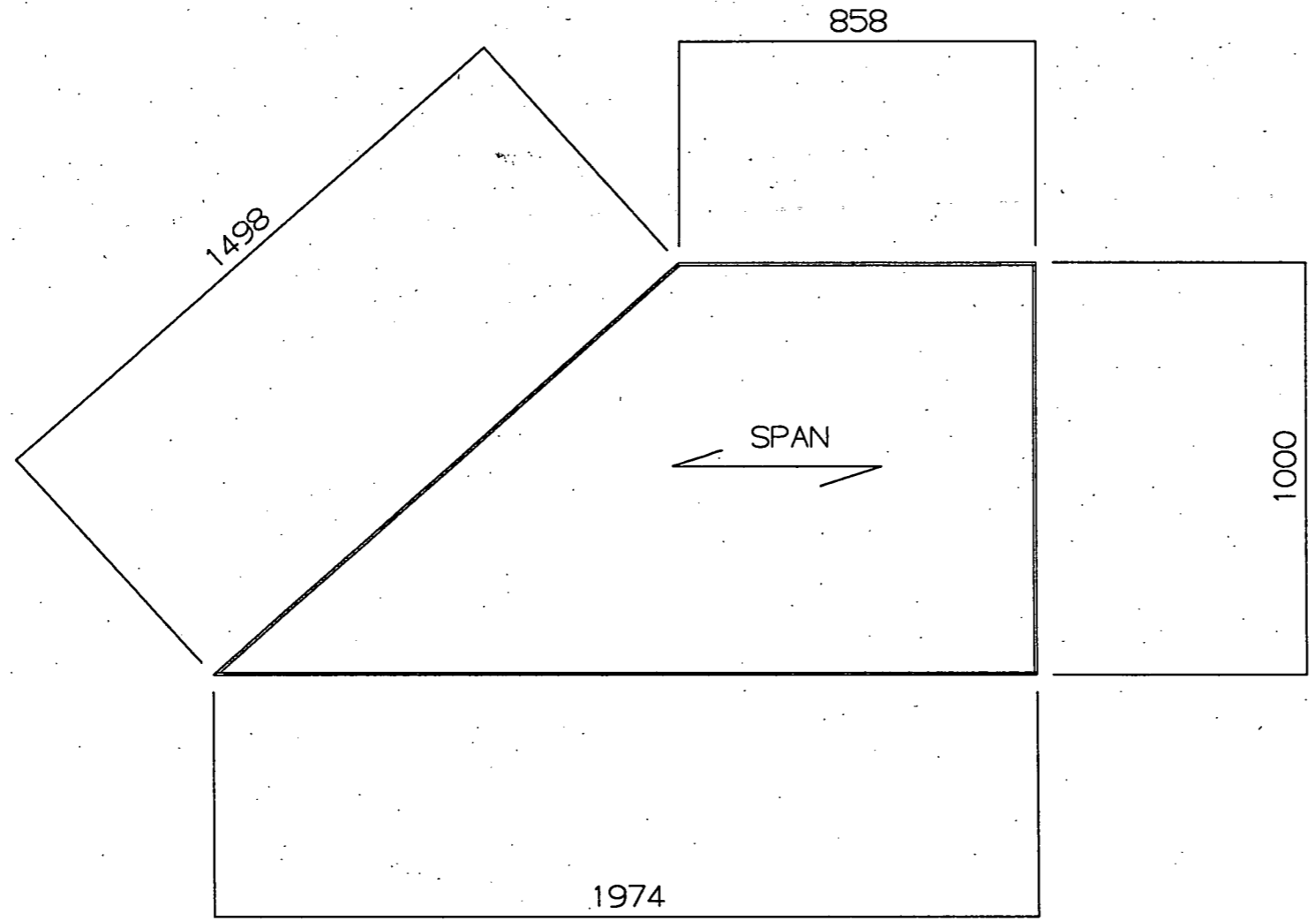
				CLIENT	DRAWN	MUK	Metalwork U.K. BLARLIATH INDUSTRIAL ESTATE TAIN ROSS-SHIRE IV191EB TEL: 01862 894002 FAX: 01862 894008				
				 MORRISON CONSTRUCTION LIMITED	CHECKED	MUK					
				PROJECT	GENERAL NOTES			SCALE	JOB No	DWG No.	REV
				CAIRNGORM FUNICULAR				NTS	M 598	DP 2	
REV	BY	DATE	DETAILS	TITLE	OPEN GRID FLOORING						



FLOORING IS 30/100 PATTERN OPEN MESH
 WITH 25 x 5 BEARING BARS
 BEARING BARS TO HAVE SERRATED TOP SURFACE
 PANEL VIEWED LOOKING ON TOP SURFACE


1. No PANEL REQUIRED AS DRAWN MKD DP 3

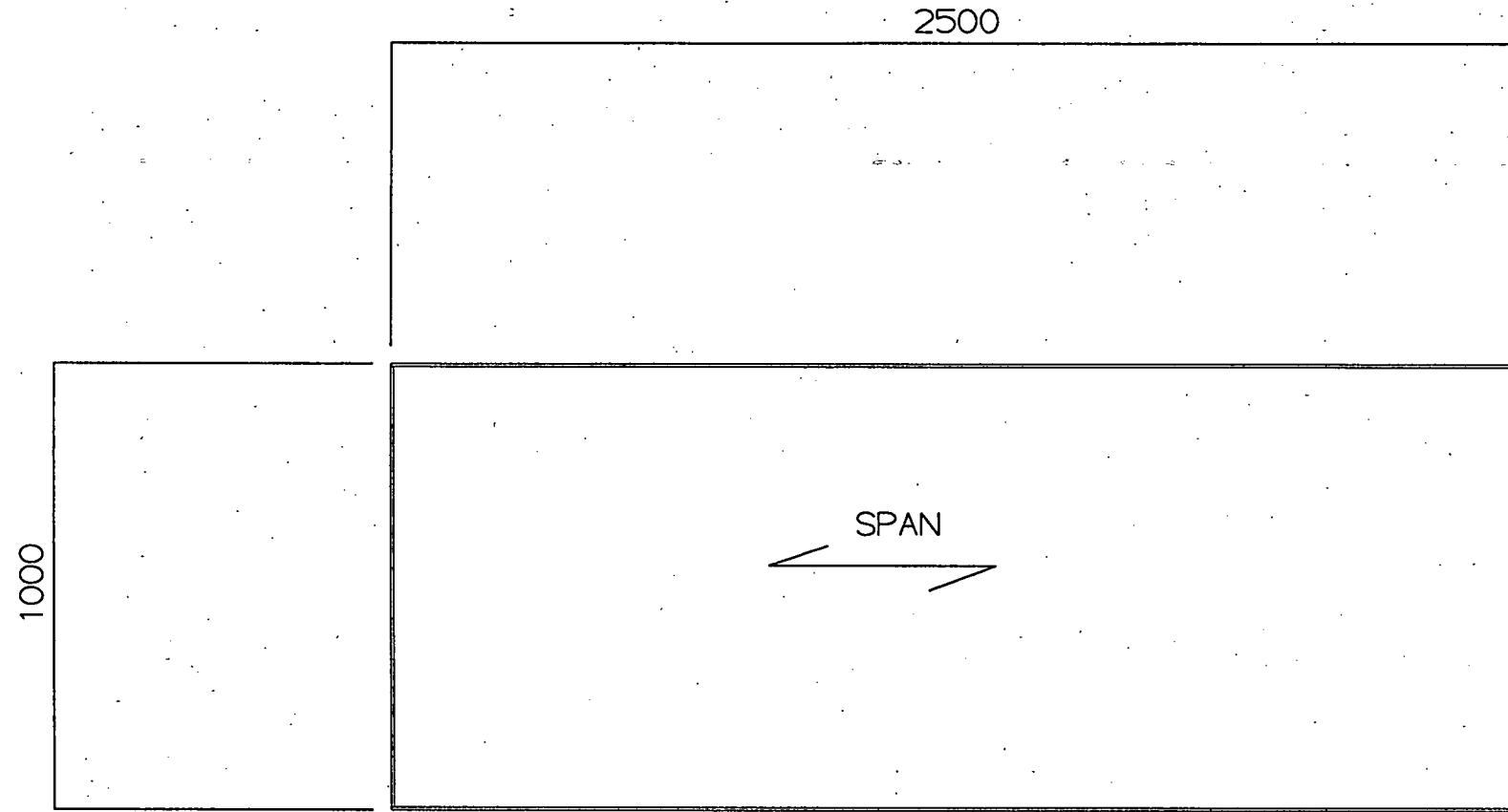
				CLIENT	DRAWN	MUK	Metalwork U.K. BLARLIATH INDUSTRIAL ESTATE TAIN ROSS-SHIRE IV191EB TEL: 01862 894002 FAX: 01862 894008 				
				 MORRISON CONSTRUCTION LIMITED	CHECKED	MUK					
				PROJECT	GENERAL NOTES			SCALE	JOB No	DWG No.	REV
				CAIRNGORM FUNICULAR				NTS	M 598	DP 3	
REV	BY	DATE	DETAILS	TITLE							
				OPEN GRID FLOORING							



FLOORING IS 30/100 PATTERN OPEN MESH
 WITH 25 x 5 BEARING BARS
 BEARING BARS TO HAVE SERRATED TOP SURFACE
 PANEL VIEWED LOOKING ON TOP SURFACE



1 No PANEL REQUIRED AS DRAWN MKD DP 4

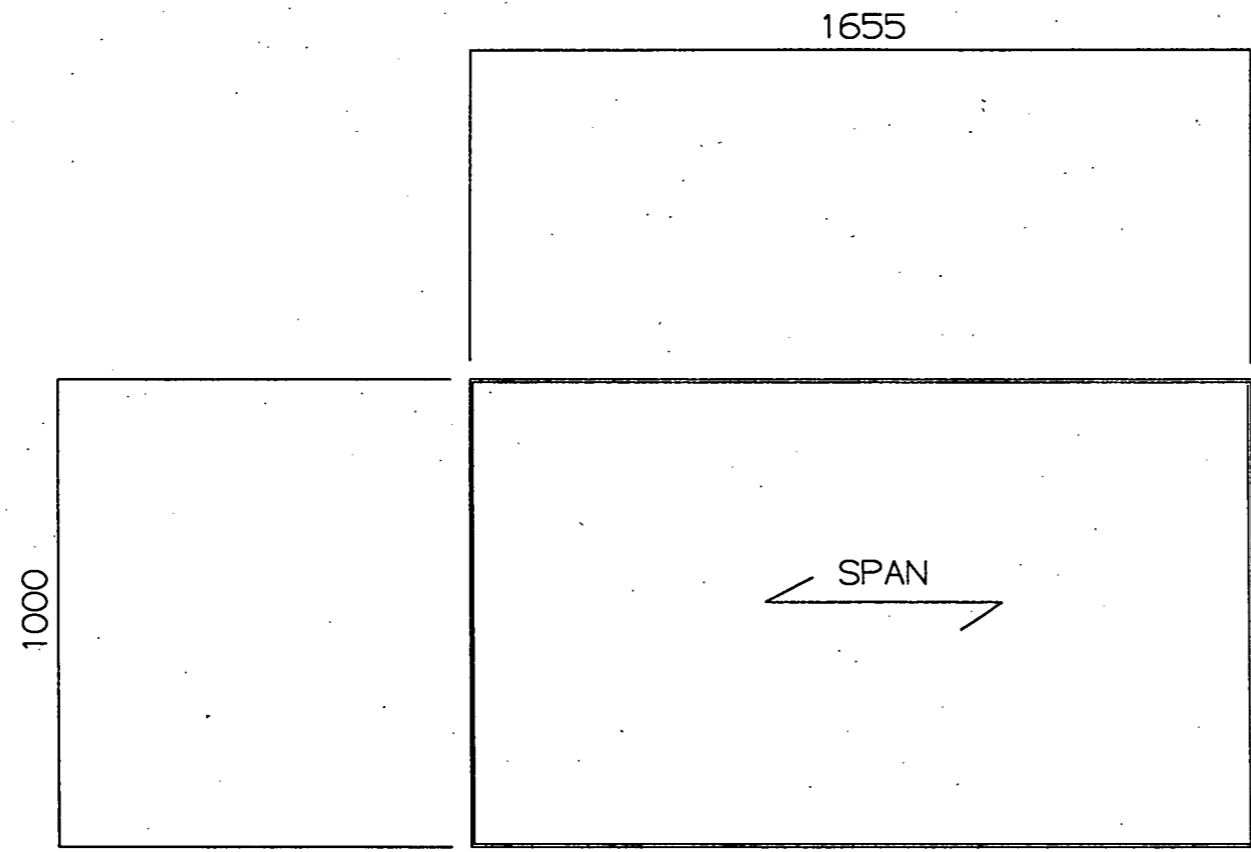
				CLIENT	DRAWN	MUK	Metalwork U.K. BLARLIATH INDUSTRIAL ESTATE TAIN ROSS-SHIRE IV191EB TEL: 01862 894002 FAX: 01862 894008				
				 MORRISON CONSTRUCTION LIMITED	CHECKED	MUK					
				PROJECT	GENERAL NOTES			SCALE	JOB No	DWG No.	REV
				CAIRNGORM FUNICULAR				NTS	M 598	DP 4	
REV	BY	DATE	DETAILS	TITLE	OPEN GRID FLOORING						



FLOORING IS 30/100 PATTERN OPEN MESH
 WITH 25 x 5 BEARING BARS
 BEARING BARS TO HAVE SERRATED TOP SURFACE
 PANEL VIEWED LOOKING ON TOP SURFACE


4 No PANELS REQUIRED AS DRAWN MKD DP 5

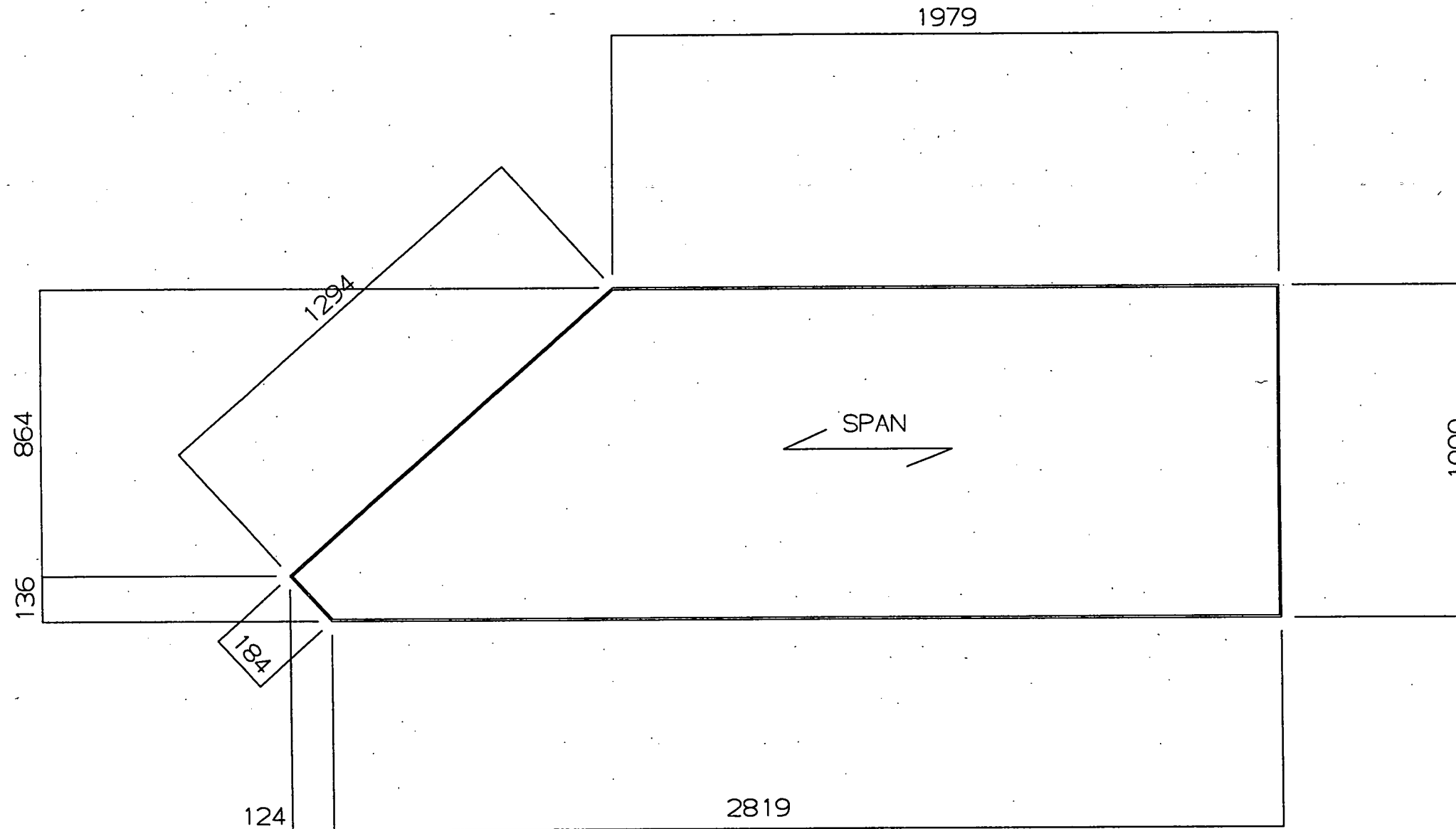
				CLIENT	DRAWN	MUK	Metalwork U.K. BLARLIATH INDUSTRIAL ESTATE TAIN ROSS-SHIRE IV191EB TEL: 01862 894002 FAX: 01862 894008 				
				 MORRISON CONSTRUCTION LIMITED	CHECKED	MUK					
				PROJECT	GENERAL NOTES			SCALE	JOB No	DWG No.	REV
				CAIRNGORM FUNICULAR				NTS	M 598	DP 5	
REV	BY	DATE	DETAILS	TITLE	OPEN GRID FLOORING						



FLOORING IS 30/100 PATTERN OPEN MESH
 WITH 25 x 5 BEARING BARS
 BEARING BARS TO HAVE SERRATED TOP SURFACE
 PANEL VIEWED LOOKING ON TOP SURFACE


3 No PANELS REQUIRED AS DRAWN MKD DP 6

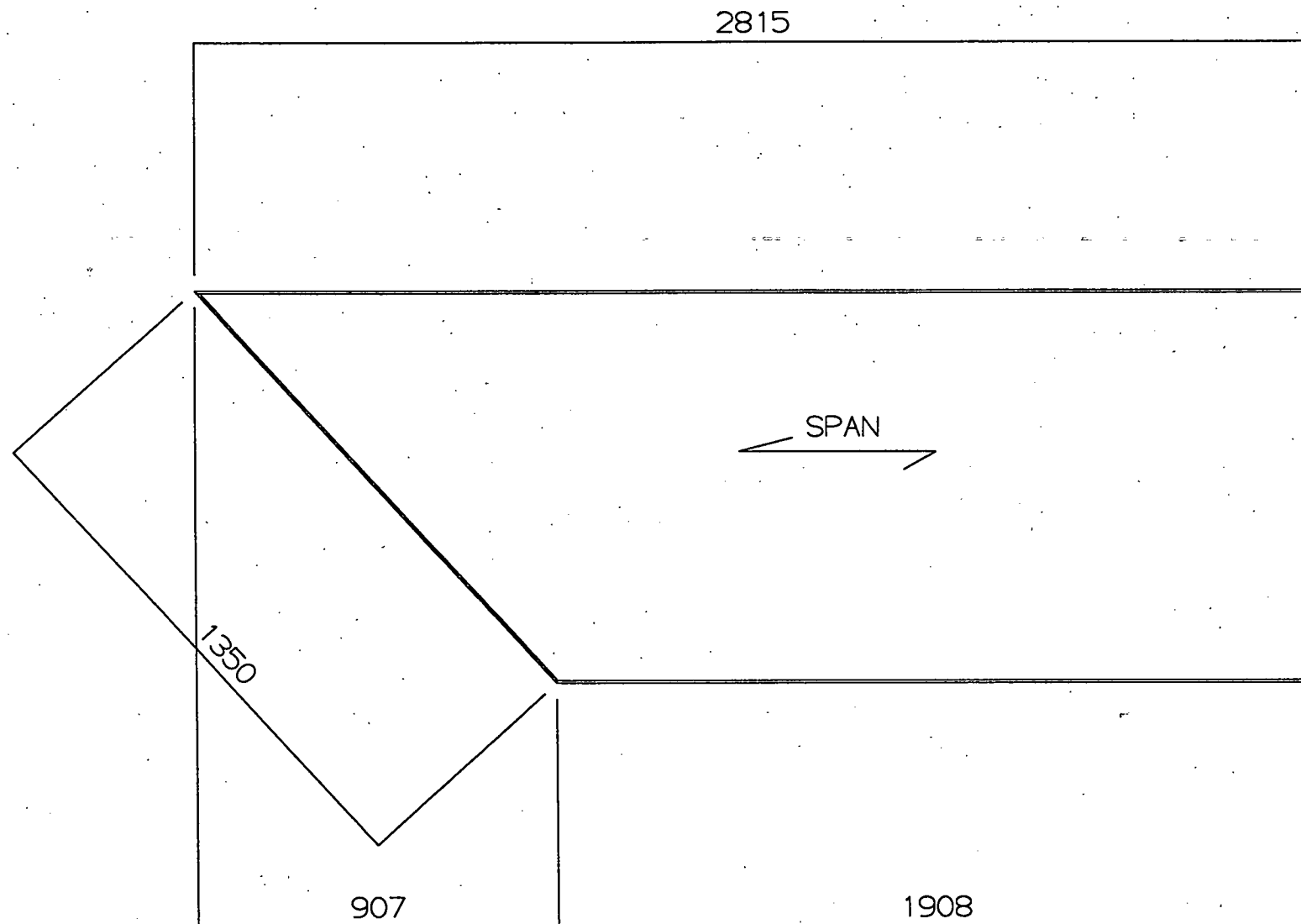
				CLIENT	DRAWN	MUK	Metalwork U.K. BLARLIATH INDUSTRIAL ESTATE TAIN ROSS-SHIRE IV191EB TEL: 01862 894002 FAX: 01862 894008				
				 MORRISON CONSTRUCTION LIMITED	CHECKED	MUK					
				PROJECT	GENERAL NOTES			SCALE	JOB No	DWG No.	REV
				CAIRNGORM FUNICULAR				NTS	M 598	DP 6	
REV	BY	DATE	DETAILS	TITLE							
				OPEN GRID FLOORING							



FLOORING IS 30/100 PATTERN OPEN MESH
 WITH 25 x 5 BEARING BARS
 BEARING BARS TO HAVE SERRATED TOP SURFACE
 PANEL VIEWED LOOKING ON TOP SURFACE


1 No PANEL REQUIRED AS DRAWN MKD DP 7

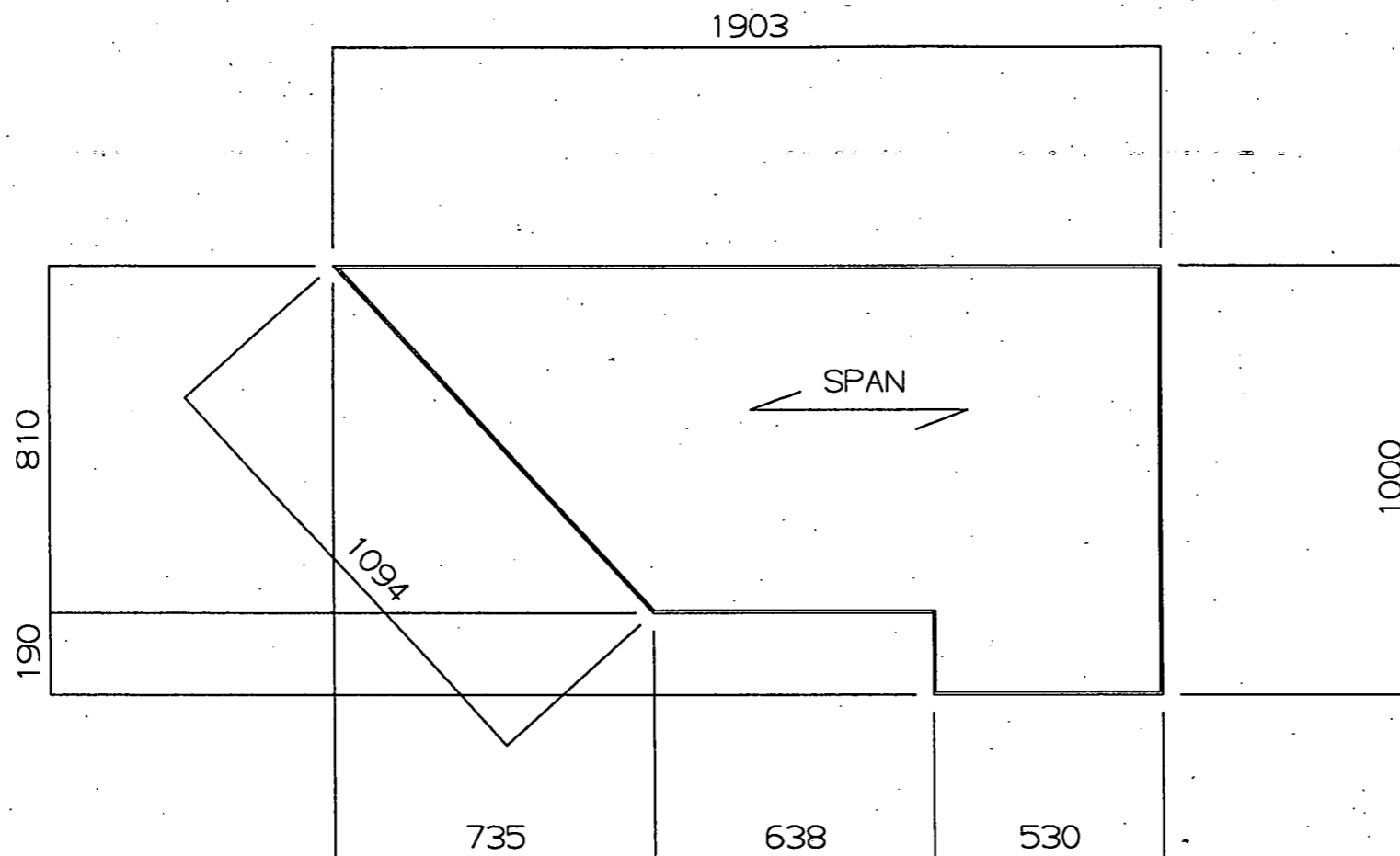
				CLIENT	DRAWN	MUK	Metalwork U.K. BLARLIATH INDUSTRIAL ESTATE TAIN ROSS-SHIRE IV191EB TEL: 01862 894002 FAX: 01862 894008				
				 MORRISON CONSTRUCTION LIMITED	CHECKED	MUK					
				PROJECT	GENERAL NOTES			SCALE	JOB No	DWG No.	REV
				CAIRNGORM FUNICULAR				NTS	M 598	DP 7	
REV	BY	DATE	DETAILS	TITLE	OPEN GRID FLOORING						



FLOORING IS 30/100 PATTERN OPEN MESH
 WITH 25 x 5 BEARING BARS
 BEARING BARS TO HAVE SERRATED TOP SURFACE
 PANEL VIEWED LOOKING ON TOP SURFACE


1 No PANEL REQUIRED AS DRAWN MKD DP 8

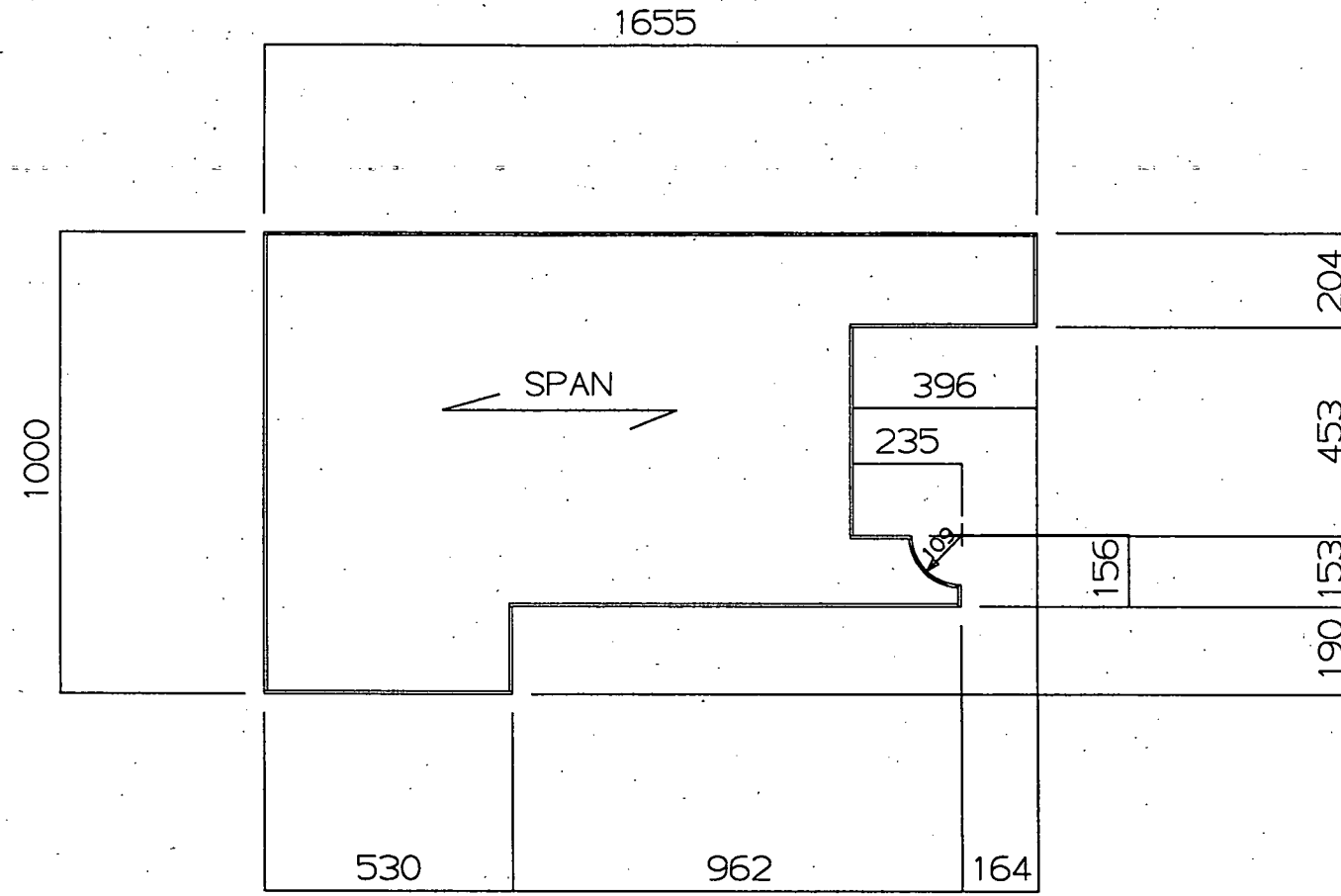
				CLIENT	DRAWN	MUK	Metalwork U.K. BLARLIATH INDUSTRIAL ESTATE TAIN ROSS-SHIRE IV191EB TEL: 01862 894002 FAX: 01862 894008				
				 MORRISON CONSTRUCTION LIMITED	CHECKED	MUK					
				PROJECT	GENERAL NOTES			SCALE	JOB No	DWG No.	REV
				CAIRNGORM FUNICULAR				NTS	M 598	DP 8	
REV	BY	DATE	DETAILS	TITLE							
				OPEN GRID FLOORING							



FLOORING IS 30/100 PATTERN OPEN MESH
 WITH 25 x 5 BEARING BARS
 BEARING BARS TO HAVE SERRATED TOP SURFACE
 PANEL VIEWED LOOKING ON TOP SURFACE

1 No PANEL REQUIRED AS DRAWN MKD DP 9

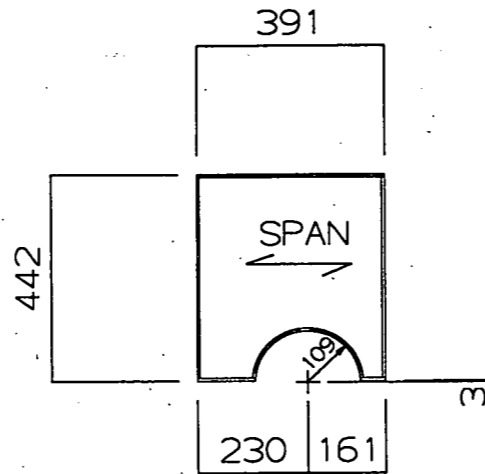
				CLIENT	DRAWN	MUK	Metalwork U.K. BLARLIATH INDUSTRIAL ESTATE TAIN ROSS-SHIRE IV191EB TEL: 01862 894002 FAX: 01862 894008				
				 MORRISON CONSTRUCTION LIMITED	CHECKED	MUK					
				PROJECT	GENERAL NOTES			SCALE	JOB No	DWG No.	REV
				CAIRNGORM FUNICULAR				NTS	M 598	DP 9	
REV	BY	DATE	DETAILS	TITLE							
				OPEN GRID FLOORING							



FLOORING IS 30/100 PATTERN OPEN MESH
 WITH 25 x 5 BEARING BARS.
 BEARING BARS TO HAVE SERRATED TOP SURFACE
 PANEL VIEWED LOOKING ON TOP SURFACE

1 No PANEL REQUIRED AS DRAWN MKD DP 10

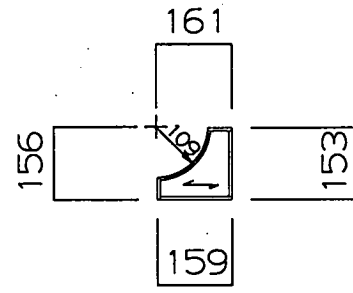
				CLIENT	DRAWN	MUK	Metalwork U.K. BLARLIATH INDUSTRIAL ESTATE TAIN ROSS-SHIRE IV191EB TEL: 01862 894002 FAX: 01862 894008				
				MORRISON CONSTRUCTION LIMITED	CHECKED	MUK					
				PROJECT	GENERAL NOTES			SCALE	JOB No	DWG No.	REV
				CAIRNGORM FUNICULAR				NTS	M 598	DP 10	
REV	BY	DATE	DETAILS	TITLE	OPEN GRID FLOORING						



FLOORING IS 30/100 PATTERN OPEN MESH
 WITH 25 x 5 BEARING BARS
 BEARING BARS TO HAVE SERRATED TOP SURFACE
 PANEL VIEWED LOOKING ON TOP SURFACE

1 No PANEL REQUIRED AS DRAWN MKD DP 11

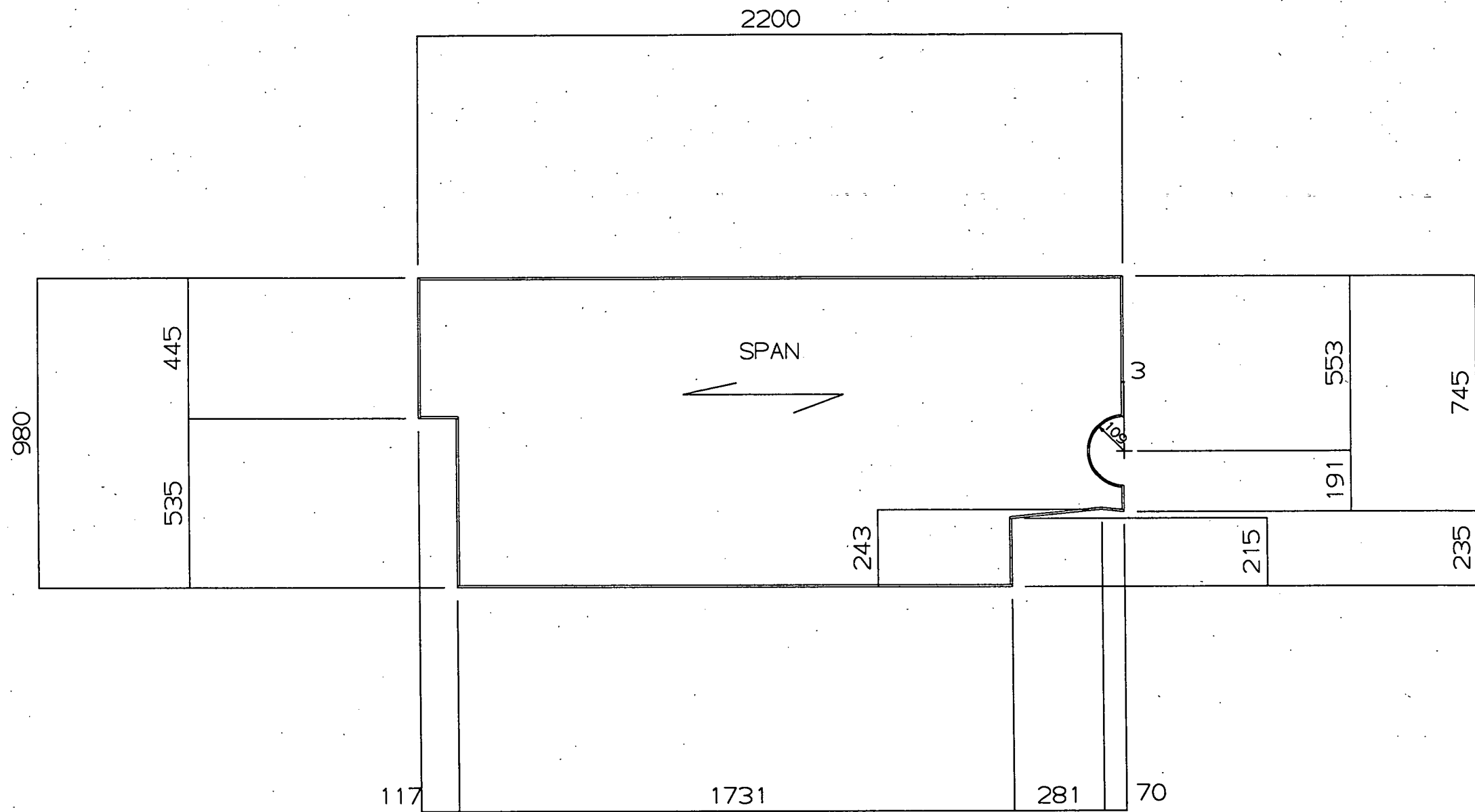
				CLIENT	DRAWN	MUK	Metalwork U.K. BLARLIATH INDUSTRIAL ESTATE TAIN ROSS-SHIRE IV191EB TEL: 01862 894002 FAX: 01862 894008						
				MORRISON CONSTRUCTION LIMITED	CHECKED	MUK							
				PROJECT	GENERAL NOTES					SCALE	JOB No	DWG No.	REV
				CAIRNGORM FUNICULAR						NTS	M 598	DP 11	
REV	BY	DATE	DETAILS	TITLE	OPEN GRID FLOORING								



FLOORING IS 30/100 PATTERN OPEN MESH
 WITH 25 x 5 BEARING BARS
 BEARING BARS TO HAVE SERRATED TOP SURFACE
 PANEL VIEWED LOOKING ON TOP SURFACE


1 No PANEL REQUIRED AS DRAWN MKD DP 12

				CLIENT	DRAWN	MUK	Metalwork U.K. BLARLIATH INDUSTRIAL ESTATE TAIN ROSS-SHIRE IV191EB TEL: 01862 894002 FAX: 01862 894008						
				MORRISON CONSTRUCTION LIMITED	CHECKED	MUK							
				PROJECT	GENERAL NOTES					SCALE	JOB No	DWG No.	REV
				CAIRNGORM FUNICULAR						NTS	M 598	DP 12	
REV	BY	DATE	DETAILS	TITLE	OPEN GRID FLOORING								

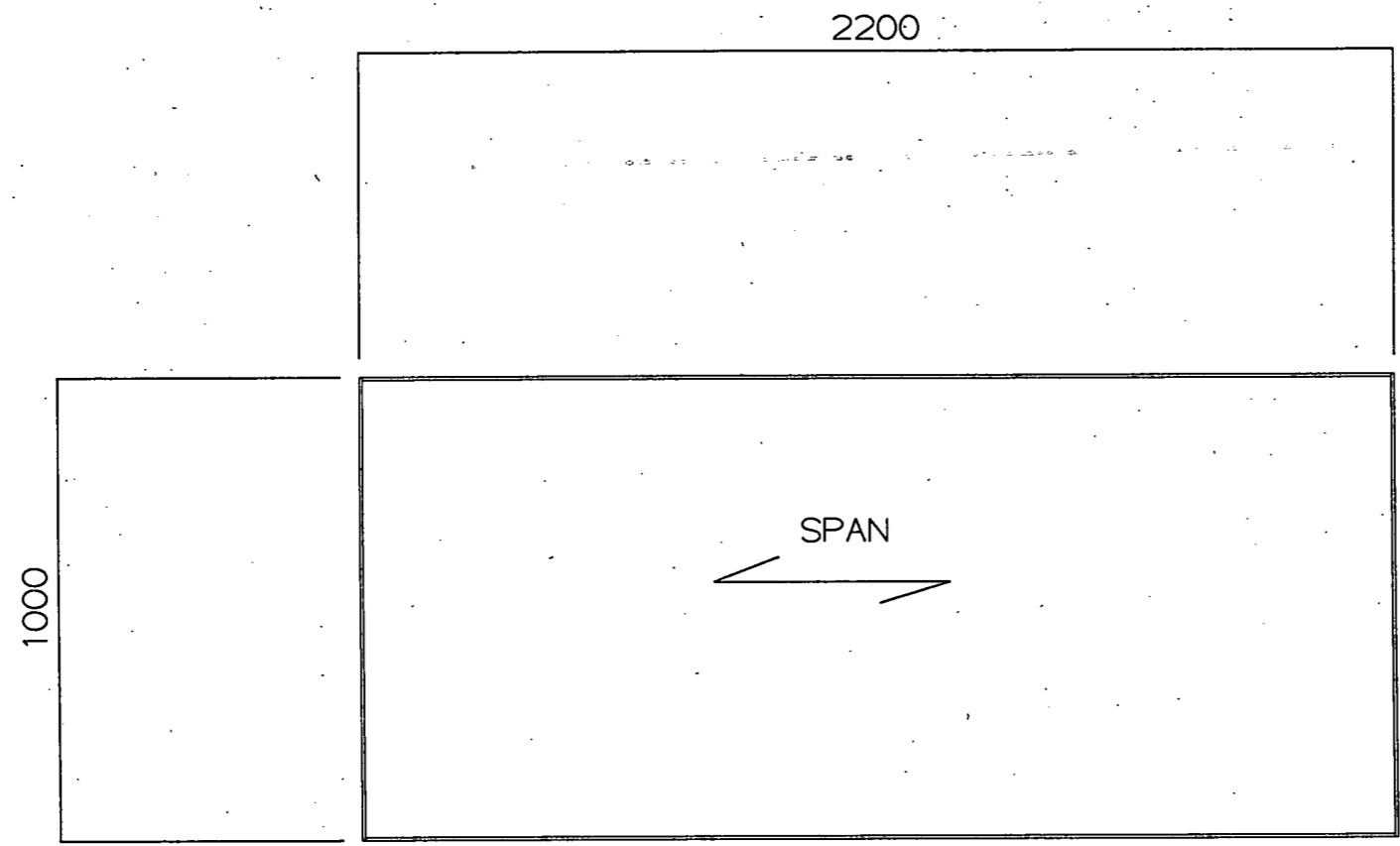


FLOORING IS 30/100 PATTERN OPEN MESH
 WITH 25 x 5 BEARING BARS
 BEARING BARS TO HAVE SERRATED TOP SURFACE
 PANEL VIEWED LOOKING ON TOP SURFACE

1. No PANEL REQUIRED AS DRAWN MKD DP 13

				CLIENT	DRAWN	MUK	Metalwork U.K. BLARLIATH INDUSTRIAL ESTATE TAIN ROSS-SHIRE IV191EB TEL: 01862 894002 FAX: 01862 894008					
				 MORRISON CONSTRUCTION LIMITED	CHECKED	MUK						
				PROJECT	GENERAL NOTES				SCALE	JOB No	DWG No.	REV
				CAIRNGORM FUNICULAR					NTS	M 598	DP 13	
REV	BY	DATE	DETAILS	TITLE								
				OPEN GRID FLOORING								

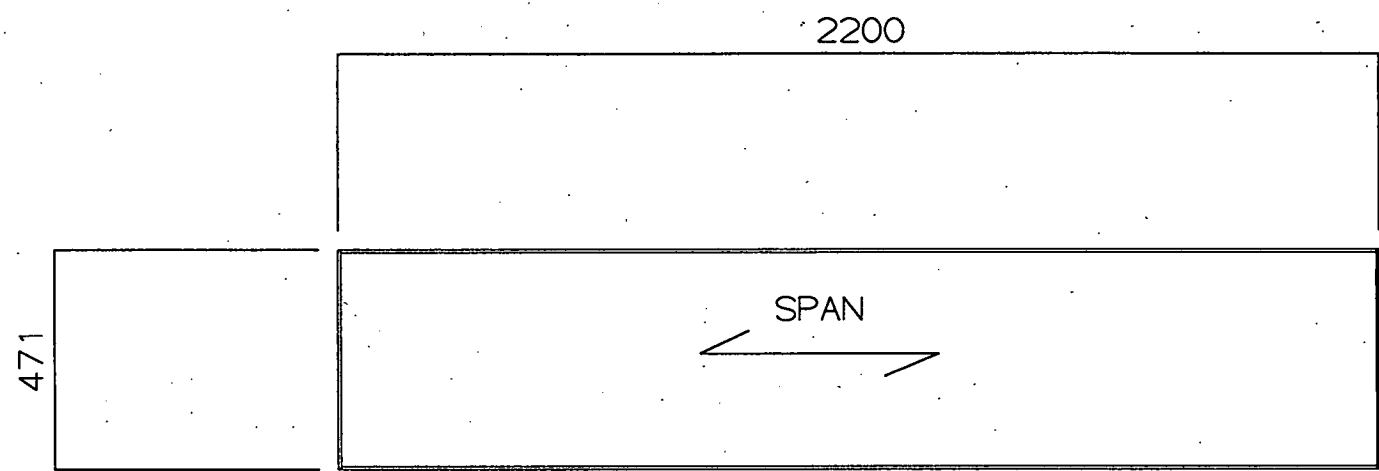




FLOORING IS 30/100 PATTERN OPEN MESH
 WITH 25 x 5 BEARING BARS
 BEARING BARS TO HAVE SERRATED TOP SURFACE
 PANEL VIEWED LOOKING ON TOP SURFACE

1 No PANEL REQUIRED AS DRAWN MKD DP 14

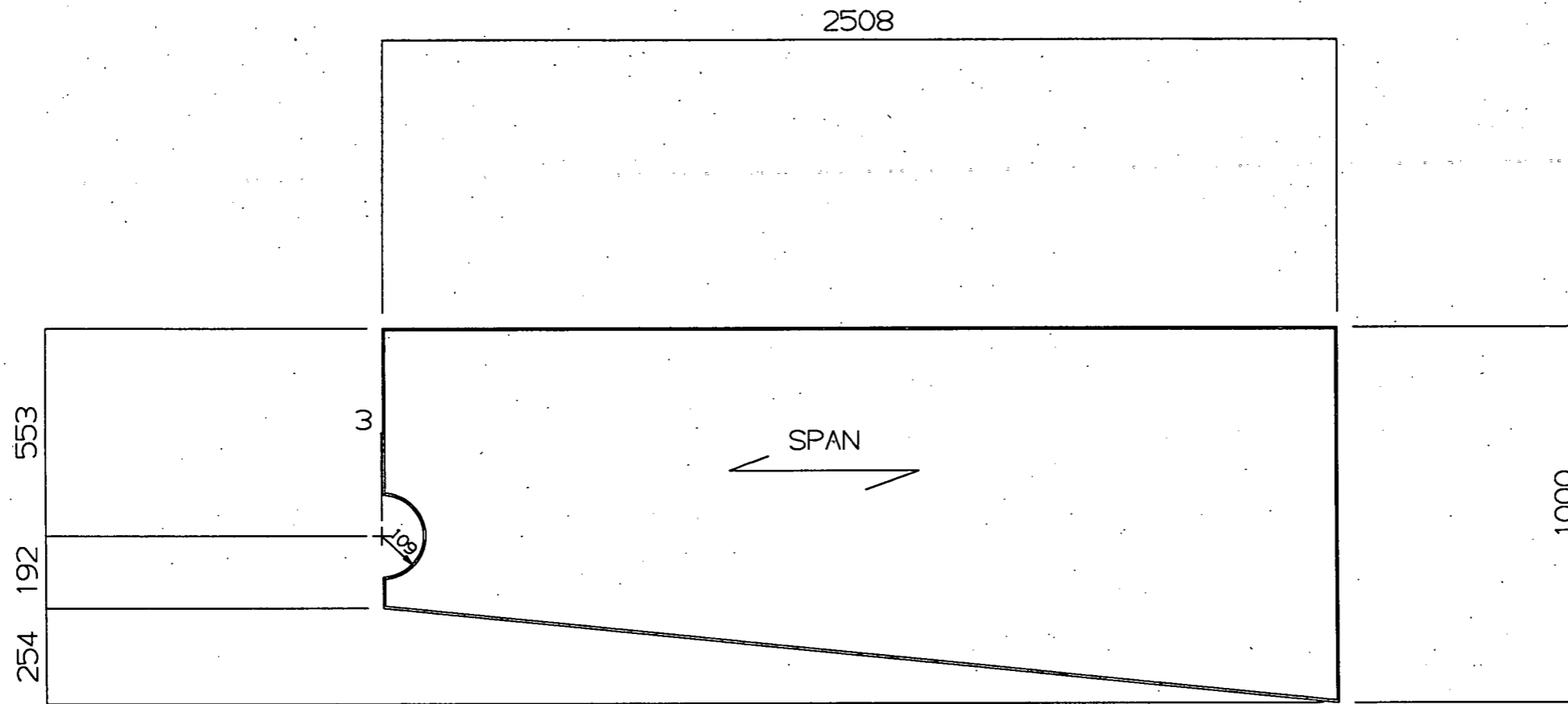
				CLIENT	DRAWN	MUK	Metalwork U.K. BLARLIATH INDUSTRIAL ESTATE TAIN ROSS-SHIRE IV191EB TEL: 01862 894002 FAX: 01862 894008				
				MORRISON CONSTRUCTION LIMITED	CHECKED	MUK					
				PROJECT	GENERAL NOTES			SCALE	JOB No	DWG No.	REV
				CAIRNGORM FUNICULAR				NTS	M 598	DP 14	
REV	BY	DATE	DETAILS	TITLE							
				OPEN GRID FLOORING							



FLOORING IS 30/100 PATTERN OPEN MESH
 WITH 25 x 5 BEARING BARS
 BEARING BARS TO HAVE SERRATED TOP SURFACE
 PANEL VIEWED LOOKING ON TOP SURFACE

1 No PANEL REQUIRED AS DRAWN MKD DP 15

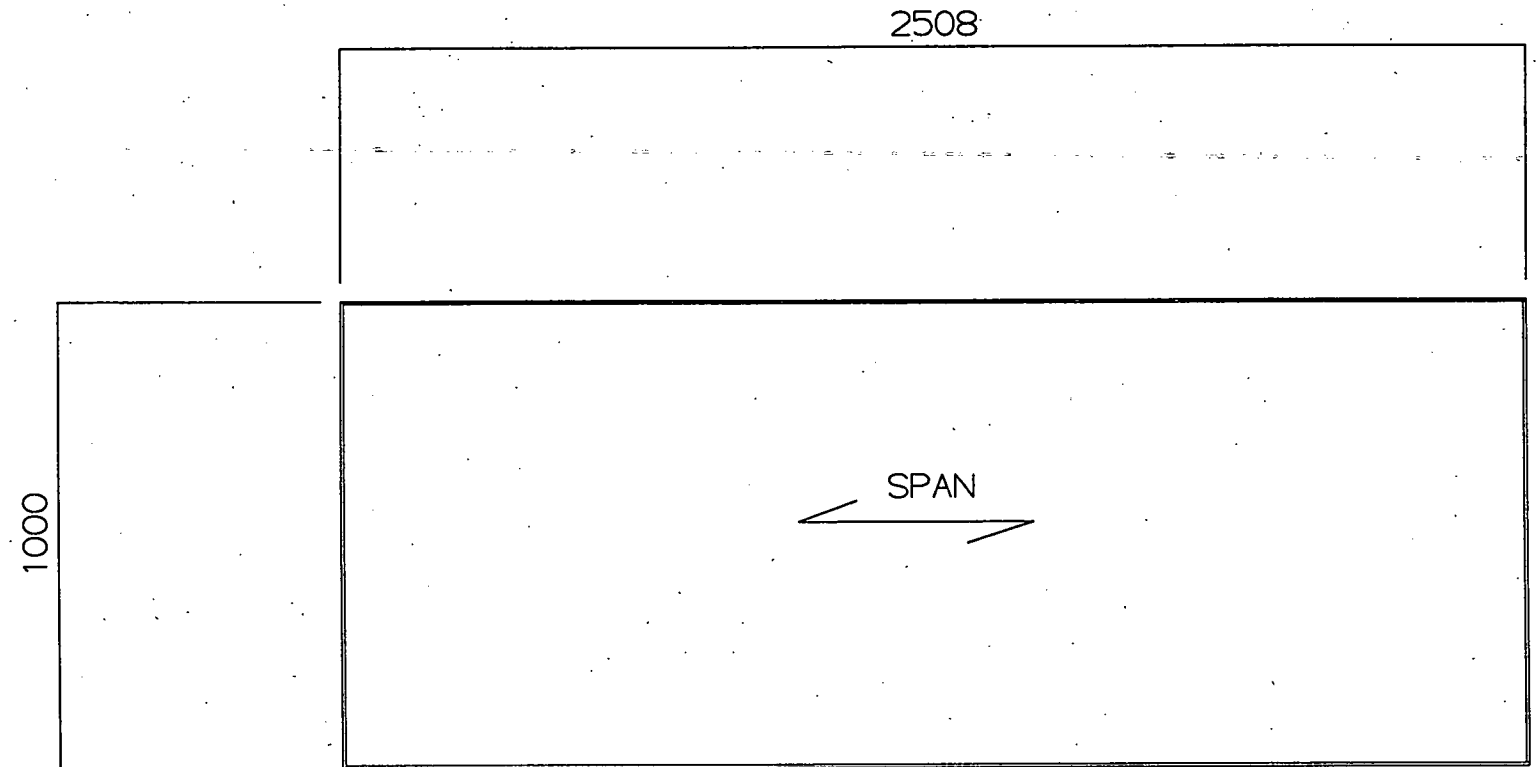
				CLIENT	DRAWN	MUK	Metalwork U.K. BLARLIATH INDUSTRIAL ESTATE TAIN ROSS-SHIRE IV191EB TEL: 01862 894002 FAX: 01862 894008				
				MORRISON CONSTRUCTION LIMITED	CHECKED	MUK					
				PROJECT	GENERAL NOTES			SCALE	JOB No	DWG No.	REV.
				CAIRNGORM FUNICULAR				NTS	M 598	DP 15	
REV	BY	DATE	DETAILS	TITLE	OPEN GRID FLOORING						



FLOORING IS 30/100 PATTERN OPEN MESH
 WITH 25 x 5 BEARING BARS
 BEARING BARS TO HAVE SERRATED TOP SURFACE
 PANEL VIEWED LOOKING ON TOP SURFACE



1 No PANEL REQUIRED AS DRAWN MKD DP 16

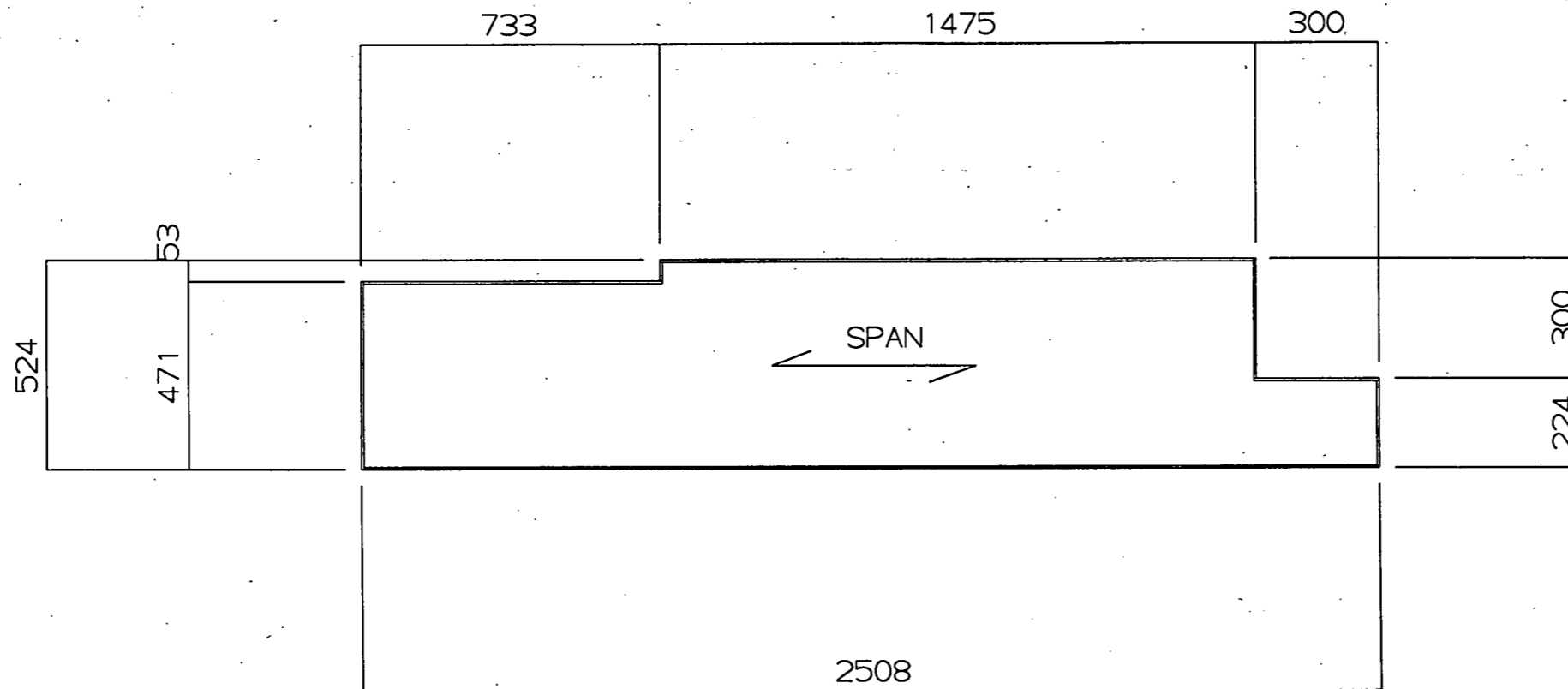
				CLIENT	DRAWN	MUK	Metalwork U.K. BLARLIATH INDUSTRIAL ESTATE TAIN ROSS-SHIRE IV191EB TEL: 01862 894002 FAX: 01862 894008				
				MORRISON CONSTRUCTION LIMITED	CHECKED	MUK					
				PROJECT	GENERAL NOTES			SCALE	JOB No	DWG No.	REV
				CAIRNGORM FUNICULAR				NTS	M 598	DP 16	
REV	BY	DATE	DETAILS	TITLE	OPEN GRID FLOORING						



FLOORING IS 30/100 PATTERN OPEN MESH
 WITH 25 x 5 BEARING BARS
 BEARING BARS TO HAVE SERRATED TOP SURFACE
 PANEL VIEWED LOOKING ON TOP SURFACE


1 No PANEL REQUIRED AS DRAWN MKD DP 17

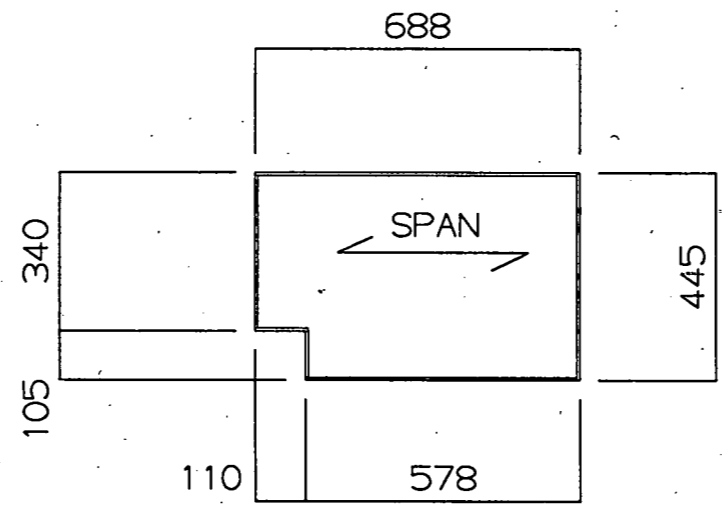
				CLIENT	DRAWN	MUK		Metalwork U.K. BLARLIATH INDUSTRIAL ESTATE TAIN ROSS-SHIRE IV191EB TEL: 01862 894002 FAX: 01862 894008				
				 MORRISON CONSTRUCTION LIMITED	CHECKED	MUK						
				PROJECT	GENERAL NOTES				SCALE	JOB No	DWG No.	REV
				CAIRNGORM FUNICULAR					NTS	M 598	DP 17	
REV	BY	DATE	DETAILS	TITLE	OPEN GRID FLOORING							



FLOORING IS 30/100 PATTERN OPEN MESH
 WITH 25 x 5 BEARING BARS
 BEARING BARS TO HAVE SERRATED TOP SURFACE
 PANEL VIEWED LOOKING ON TOP SURFACE


1 No PANEL REQUIRED AS DRAWN MKD DP 18

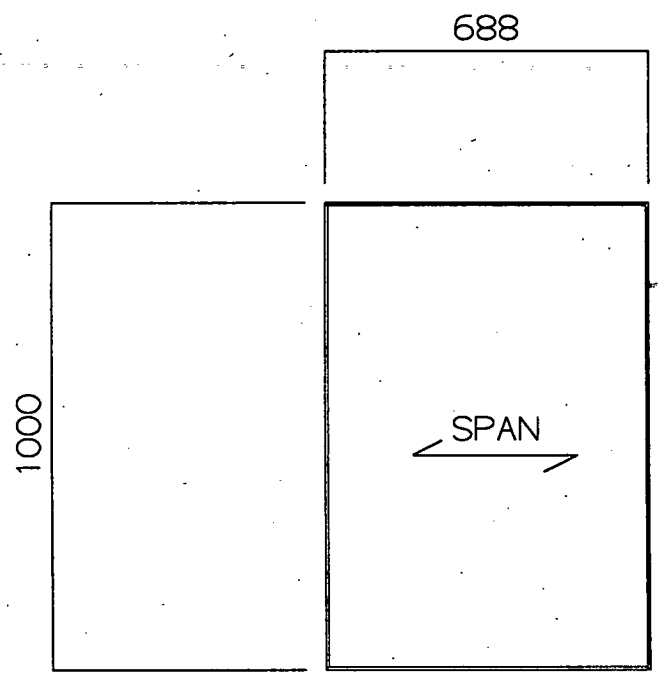
				CLIENT	DRAWN	MUK	Metalwork U.K. BLARLIATH INDUSTRIAL ESTATE TAIN ROSS-SHIRE IV191EB TEL: 01862 894002 FAX: 01862 894008				
				 MORRISON CONSTRUCTION LIMITED	CHECKED	MUK					
				PROJECT	GENERAL NOTES			SCALE	JOB No	DWG No.	REV
				CAIRNGORM FUNICULAR						NTS	M 598
REV	BY	DATE	DETAILS	TITLE	OPEN GRID FLOORING						



FLOORING IS 30/100 PATTERN OPEN MESH
 WITH 25 x 5 BEARING BARS
 BEARING BARS TO HAVE SERRATED TOP SURFACE
 PANEL VIEWED LOOKING ON TOP SURFACE

1 No PANEL REQUIRED AS DRAWN MKD DP 19

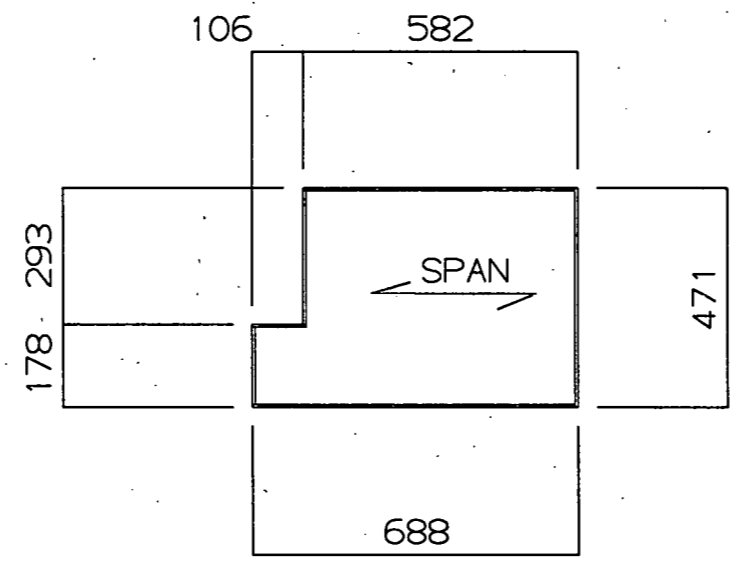
				CLIENT	DRAWN	MUK	Metalwork U.K. BLARLIATH INDUSTRIAL ESTATE TAIN ROSS-SHIRE IV191EB TEL: 01862 894002 FAX: 01862 894008				
				 MORRISON CONSTRUCTION LIMITED	CHECKED	MUK					
				PROJECT	GENERAL NOTES			SCALE	JOB No	DWG No.	REV
				CAIRNGORM FUNICULAR				NTS	M 598	DP 19	
REV	BY	DATE	DETAILS	TITLE							
				OPEN GRID FLOORING							



FLOORING IS 30/100 PATTERN OPEN MESH
 WITH 25 x 5 BEARING BARS
 BEARING BARS TO HAVE SERRATED TOP SURFACE
 PANEL VIEWED LOOKING ON TOP SURFACE



1 No PANEL REQUIRED AS DRAWN MKD DP 20

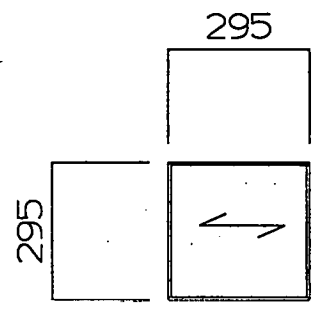
				CLIENT	DRAWN	MUK	Metalwork U.K. BLARLIATH INDUSTRIAL ESTATE TAIN ROSS-SHIRE IV191EB TEL: 01862 894002 FAX: 01862 894008						
				MORRISON CONSTRUCTION LIMITED	CHECKED	MUK							
				PROJECT	GENERAL NOTES					SCALE	JOB No	DWG No.	REV
				CAIRNGORM FUNICULAR						NTS	M 598	DP 20	
REV	BY	DATE	DETAILS	TITLE	OPEN GRID FLOORING								



FLOORING IS 30/100 PATTERN OPEN MESH
WITH 25 x 5 BEARING BARS
BEARING BARS TO HAVE SERRATED TOP SURFACE
PANEL VIEWED LOOKING ON TOP SURFACE


1 No PANEL REQUIRED AS DRAWN MKD DP 21

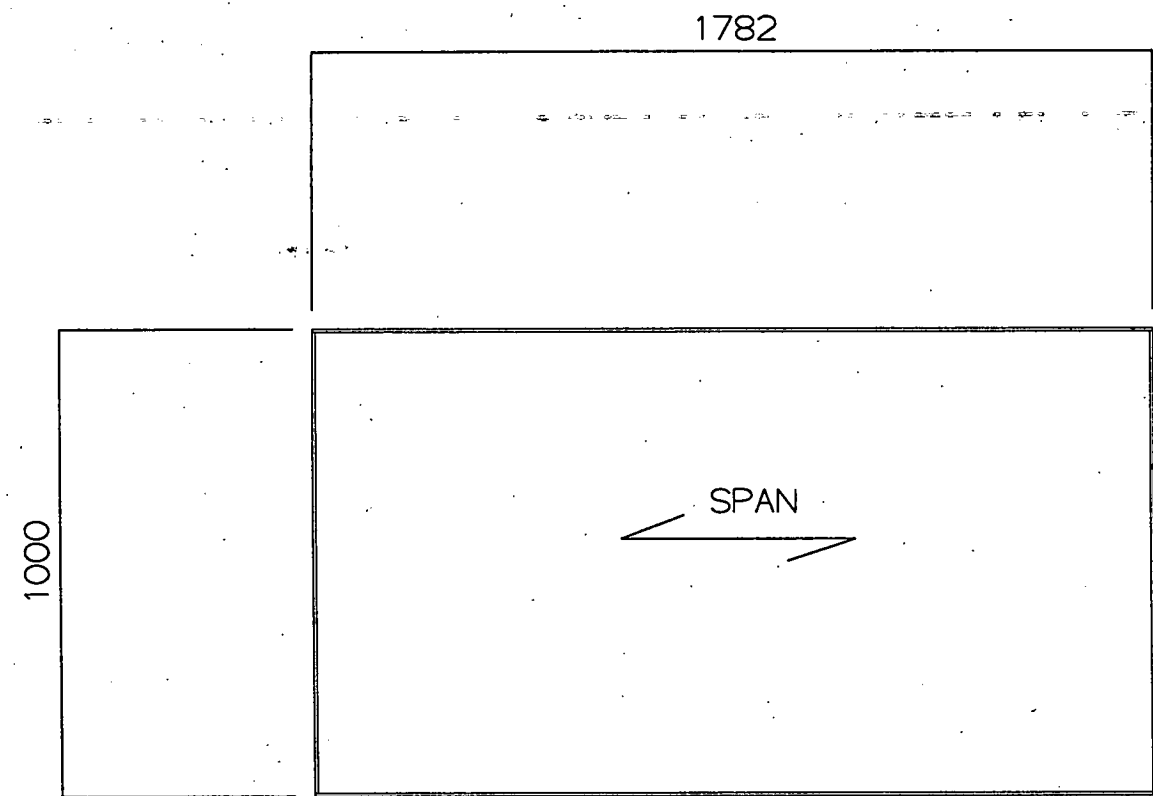
				CLIENT	DRAWN	MUK	Metalwork U.K. BLARLIATH INDUSTRIAL ESTATE TAIN ROSS-SHIRE IV191EB TEL: 01862 894002 FAX: 01862 894008 				
				 MORRISON CONSTRUCTION LIMITED	CHECKED	MUK					
				PROJECT	GENERAL NOTES			SCALE	JOB No	DWG No.	REV
				CAIRNGORM FUNICULAR				NTS	M 598	DP 21	
REV	BY	DATE	DETAILS	TITLE							
				OPEN GRID FLOORING							



FLOORING IS 30/100 PATTERN OPEN MESH
 WITH 25 x 5 BEARING BARS
 BEARING BARS TO HAVE SERRATED TOP SURFACE
 PANEL VIEWED LOOKING ON TOP SURFACE



1 No PANEL REQUIRED AS DRAWN MKD DP 22

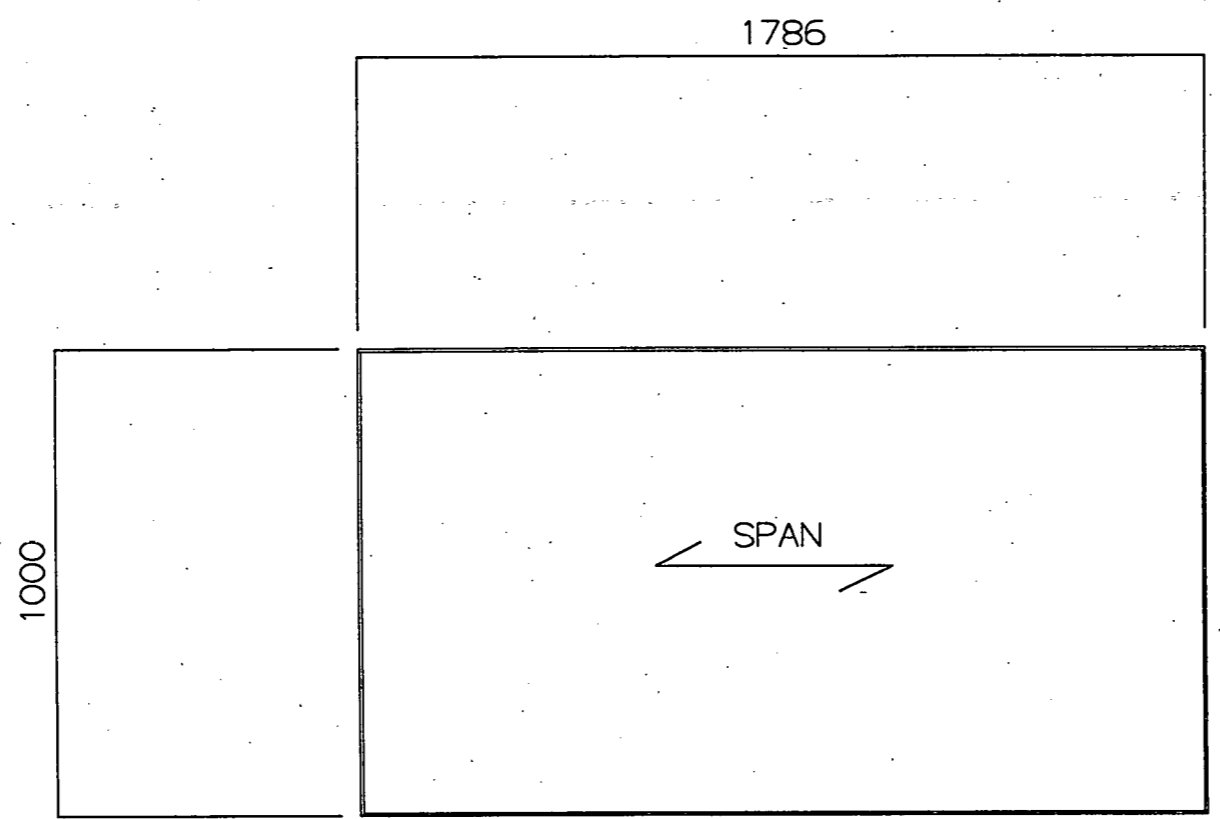
				CLIENT	DRAWN	MUK	Metalwork U.K. BLARLIATH INDUSTRIAL ESTATE TAIN ROSS-SHIRE IV191EB TEL: 01862 894002 FAX: 01862 894008				
				 MORRISON CONSTRUCTION LIMITED	CHECKED	MUK					
				PROJECT	GENERAL NOTES			SCALE	JOB No	DWG No.	REV
				CAIRNGORM FUNICULAR				NTS	M 598	DP 22	
REV	BY	DATE	DETAILS	TITLE	OPEN GRID FLOORING						



FLOORING IS 30/100 PATTERN OPEN MESH
 WITH 25 x 5 BEARING BARS
 BEARING BARS TO HAVE SERRATED TOP SURFACE
 PANEL VIEWED LOOKING ON TOP SURFACE


1 No PANEL REQUIRED AS DRAWN MKD DP 23

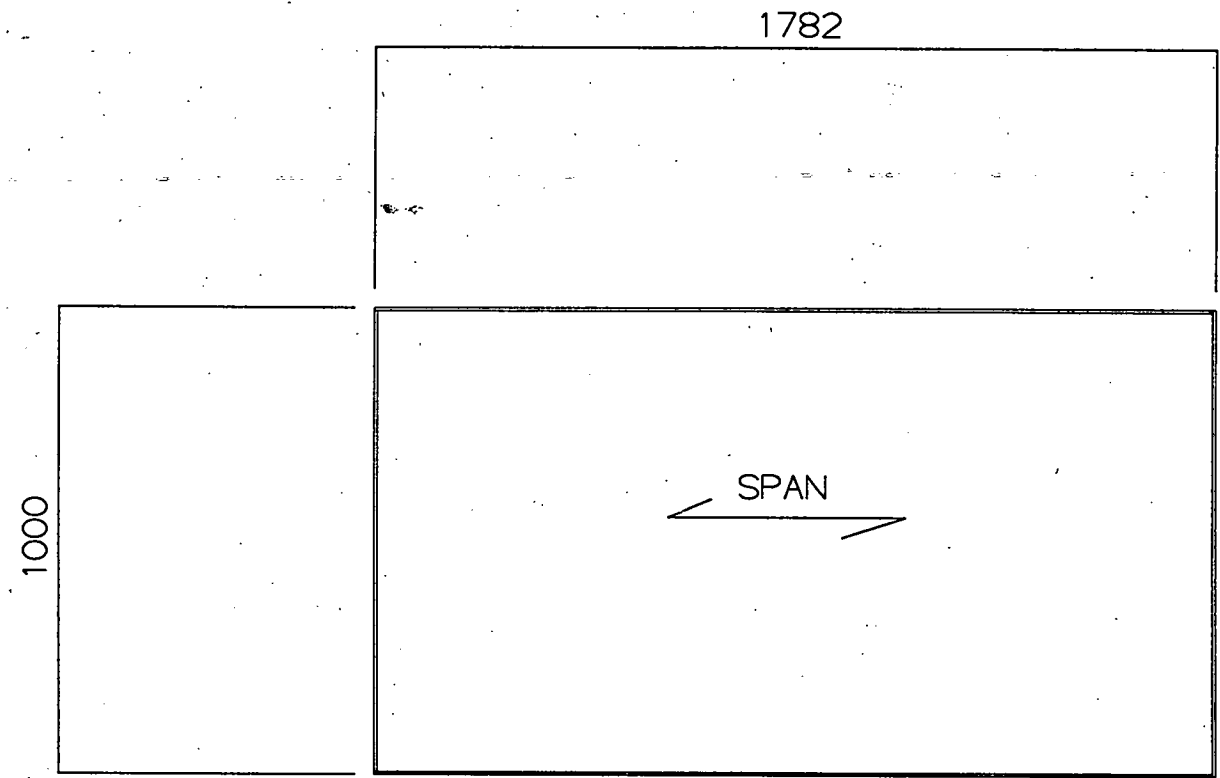
				CLIENT	DRAWN	MUK	Metalwork U.K. BLARLIATH INDUSTRIAL ESTATE TAIN ROSS-SHIRE IV191EB TEL: 01862 894002 FAX: 01862 894008 				
				 MORRISON CONSTRUCTION LIMITED	CHECKED	MUK					
				PROJECT	GENERAL NOTES			SCALE	JOB No	DWG No.	REV
				CAIRNGORM FUNICULAR				NTS	M 598	DP 23	
REV	BY	DATE	DETAILS	TITLE							
				OPEN GRID FLOORING							



FLOORING IS 30/100 PATTERN OPEN MESH
 WITH 25 x 5 BEARING BARS
 BEARING BARS TO HAVE SERRATED TOP SURFACE
 PANEL VIEWED LOOKING ON TOP SURFACE


1 No PANEL REQUIRED AS DRAWN MKD DP 24

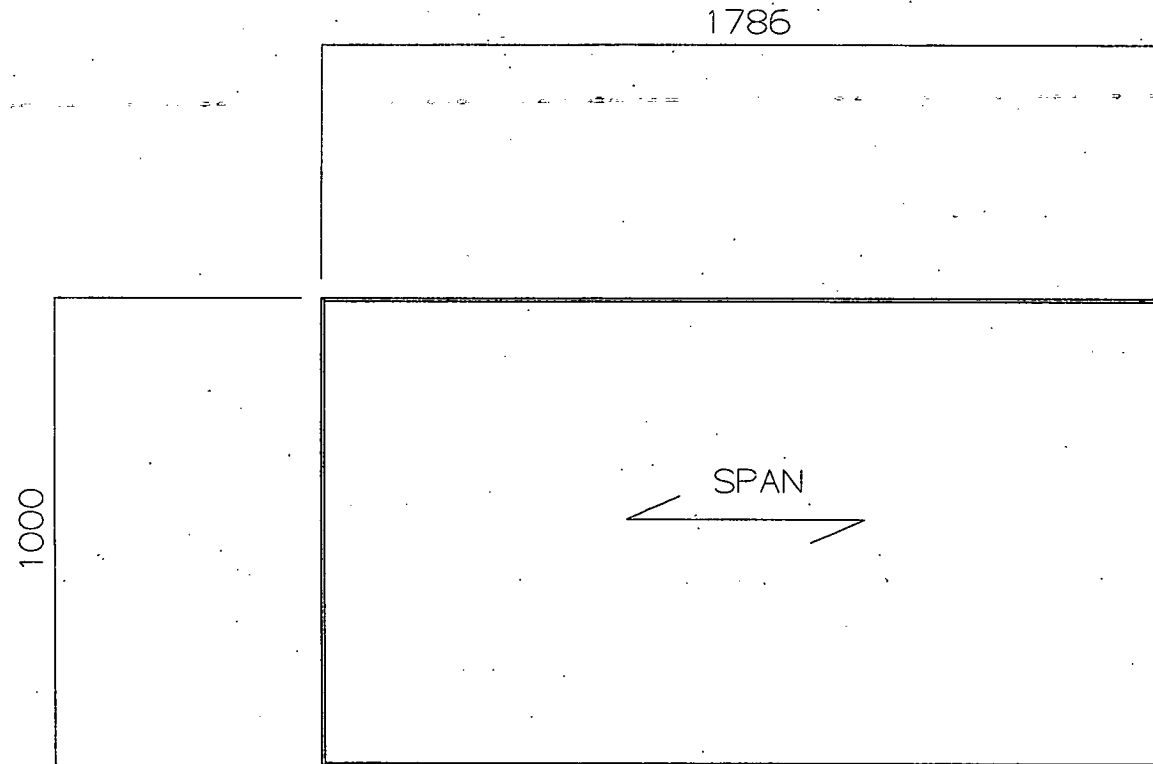
				CLIENT	DRAWN	MUK	Metalwork U.K. BLARLIATH INDUSTRIAL ESTATE TAIN ROSS-SHIRE IV191EB TEL: 01862 894002 FAX: 01862 894008				
				 MORRISON CONSTRUCTION LIMITED	CHECKED	MUK					
				PROJECT	GENERAL NOTES			SCALE	JOB No	DWG No.	REV
				CAIRNGORM FUNICULAR						NTS	M 598
REV	BY	DATE	DETAILS	TITLE							
				OPEN GRID FLOORING							



FLOORING IS 30/100 PATTERN OPEN MESH
 WITH 25 x 5 BEARING BARS
 BEARING BARS TO HAVE SERRATED TOP SURFACE
 PANEL VIEWED LOOKING ON TOP SURFACE



1 No PANEL REQUIRED AS DRAWN MKD DP 25

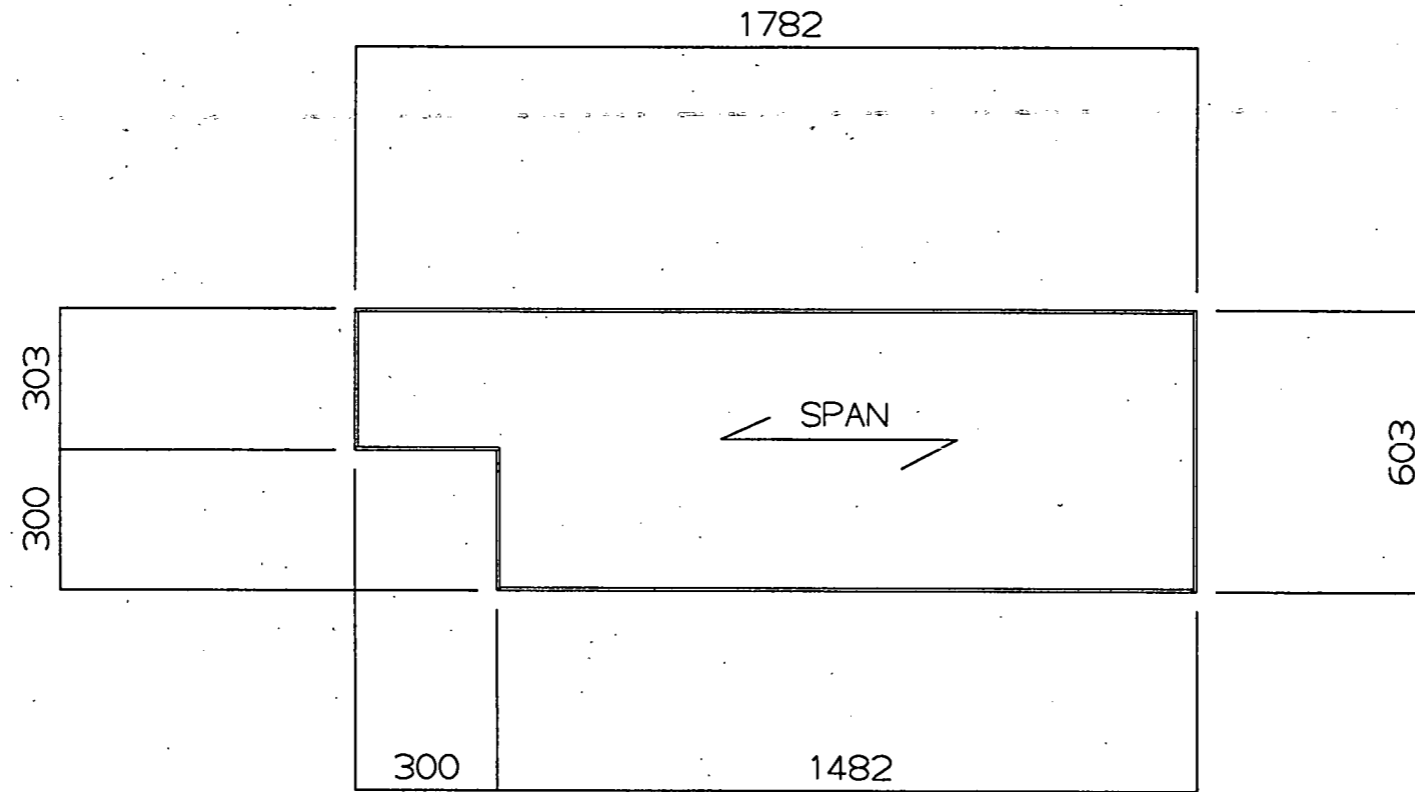
				CLIENT	DRAWN	MUK	Metalwork U.K. BLARLIATH INDUSTRIAL ESTATE TAIN ROSS-SHIRE IV191EB TEL: 01862 894002 FAX: 01862 894008				
				 MORRISON CONSTRUCTION LIMITED	CHECKED	MUK					
				PROJECT	GENERAL NOTES			SCALE	JOB No	DWG No.	REV.
				CAIRNGORM FUNICULAR				NTS	M 598	DP 25	
REV	BY	DATE	DETAILS	TITLE							
				OPEN GRID FLOORING							



FLOORING IS 30/100 PATTERN OPEN MESH
 WITH 25 x 5 BEARING BARS
 BEARING BARS TO HAVE SERRATED TOP SURFACE
 PANEL VIEWED LOOKING ON TOP SURFACE



1 No PANEL REQUIRED AS DRAWN MKD DP 26

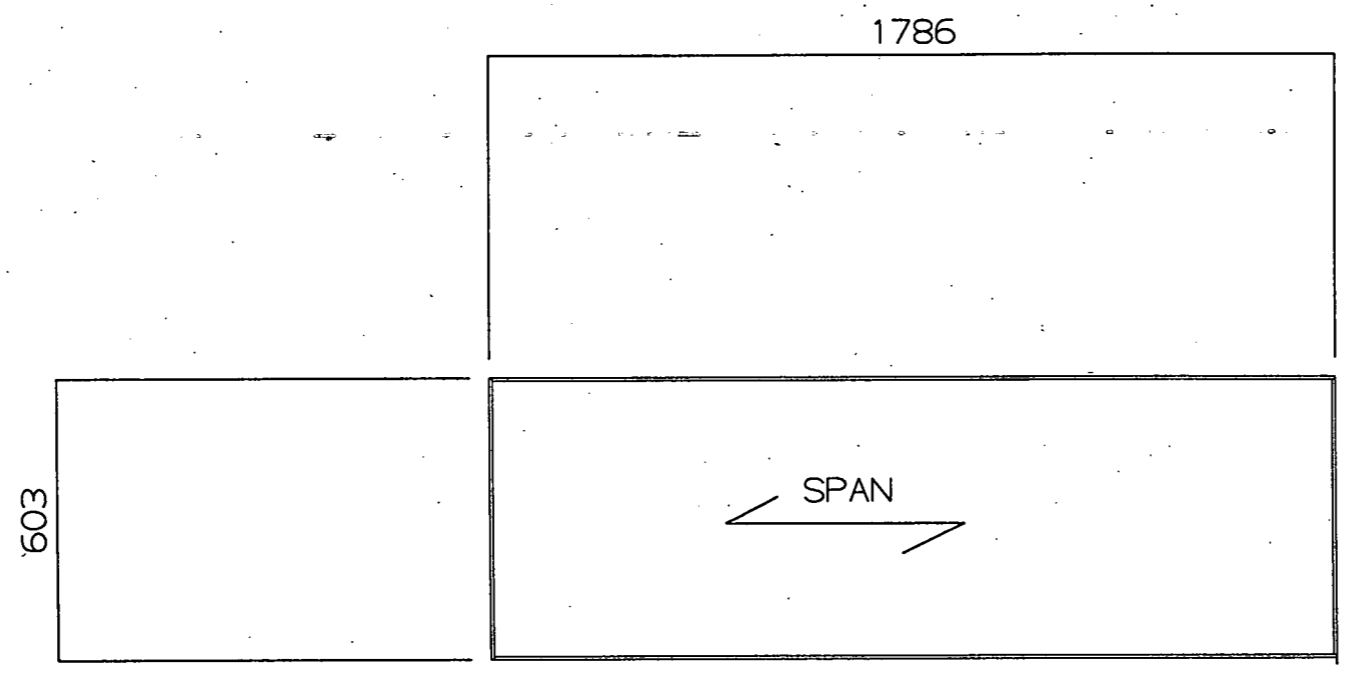
				CLIENT	DRAWN	MUK	Metalwork U.K. BLARLIATH INDUSTRIAL ESTATE TAIN ROSS-SHIRE IV191EB TEL: 01862 894002 FAX: 01862 894008 				
				 MORRISON CONSTRUCTION LIMITED	CHECKED	MUK					
				PROJECT	GENERAL NOTES			SCALE	JOB No	DWG No.	REV
				CAIRNGORM FUNICULAR				NTS	M 598	DP 26	
REV	BY	DATE	DETAILS	TITLE							
				OPEN GRID FLOORING							



FLOORING IS 30/100 PATTERN OPEN MESH
 WITH 25 x 5 BEARING BARS
 BEARING BARS TO HAVE SERRATED TOP SURFACE
 PANEL VIEWED LOOKING ON TOP SURFACE



1 No PANEL REQUIRED AS DRAWN MKD DP 27

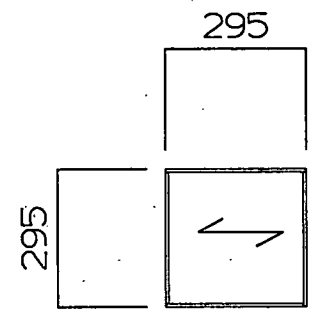
				CLIENT	DRAWN	MUK	Metalwork U.K. BLARLIATH INDUSTRIAL ESTATE TAIN ROSS-SHIRE IV191EB TEL: 01862 894002 FAX: 01862 894008 				
				 MORRISON CONSTRUCTION LIMITED	CHECKED	MUK					
				PROJECT	GENERAL NOTES			SCALE	JOB No	DWG No.	REV
				CAIRNGORM FUNICULAR				NTS	M 598	DP 27	
REV	BY	DATE	DETAILS	TITLE	OPEN GRID FLOORING						



FLOORING IS 30/100 PATTERN OPEN MESH
 WITH 25 x 5 BEARING BARS
 BEARING BARS TO HAVE SERRATED TOP SURFACE
 PANEL VIEWED LOOKING ON TOP SURFACE

1 No PANEL REQUIRED AS DRAWN MKD DP 28

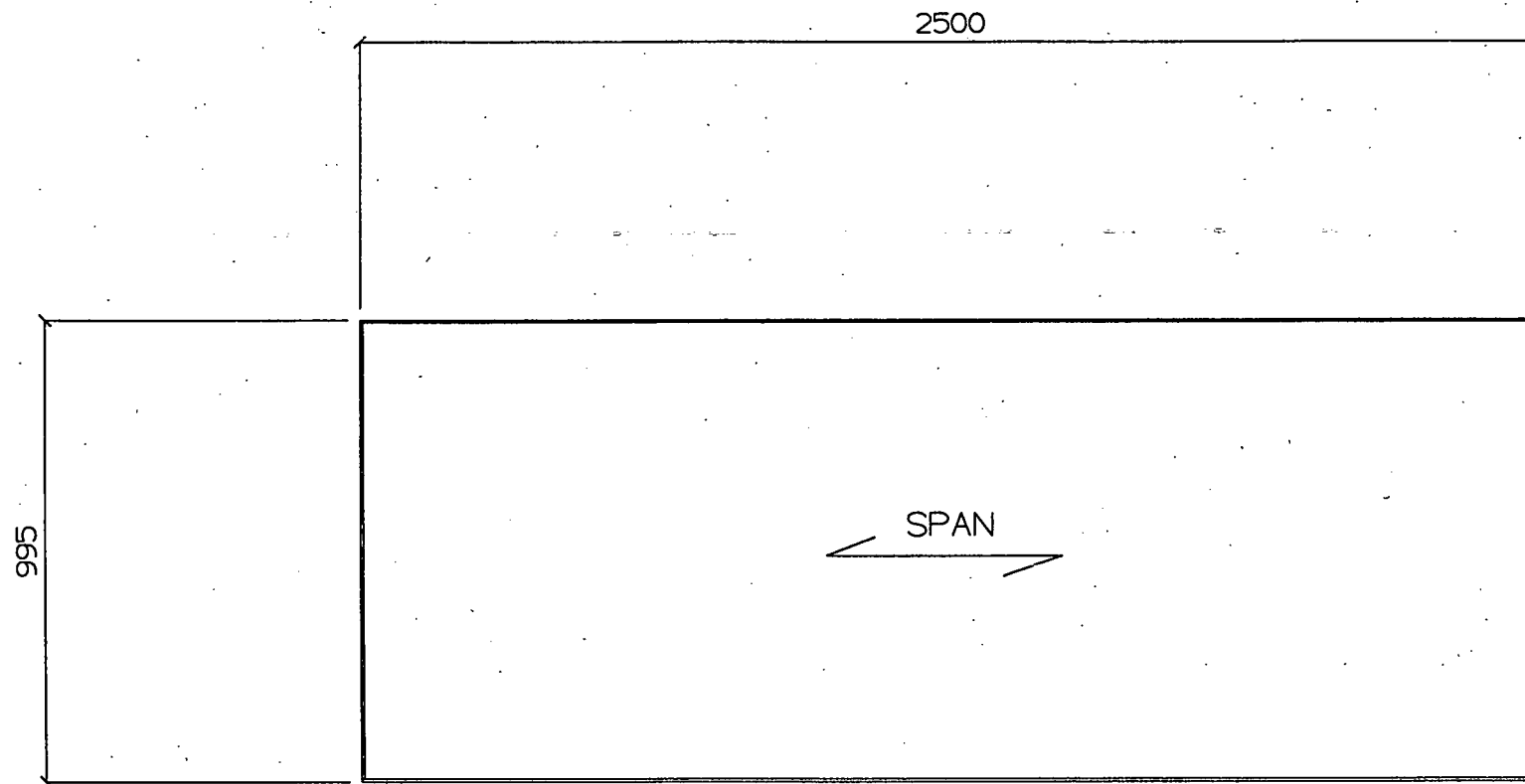
				CLIENT	DRAWN	MUK	Metalwork U.K. BLARLIATH INDUSTRIAL ESTATE TAIN ROSS-SHIRE IV191EB TEL: 01862 894002 FAX: 01862 894008 				
				 MORRISON CONSTRUCTION LIMITED	CHECKED	MUK					
				PROJECT	GENERAL NOTES			SCALE	JOB No	DWG No.	REV
				CAIRNGORM FUNICULAR				NTS	M 598	DP 28	
REV	BY	DATE	DETAILS	TITLE							
				OPEN GRID FLOORING							



FLOORING IS 30/100 PATTERN OPEN MESH
 WITH 25 x 5 BEARING BARS
 BEARING BARS TO HAVE SERRATED TOP SURFACE
 PANEL VIEWED LOOKING ON TOP SURFACE


1 No PANEL REQUIRED AS DRAWN MKD DP 29

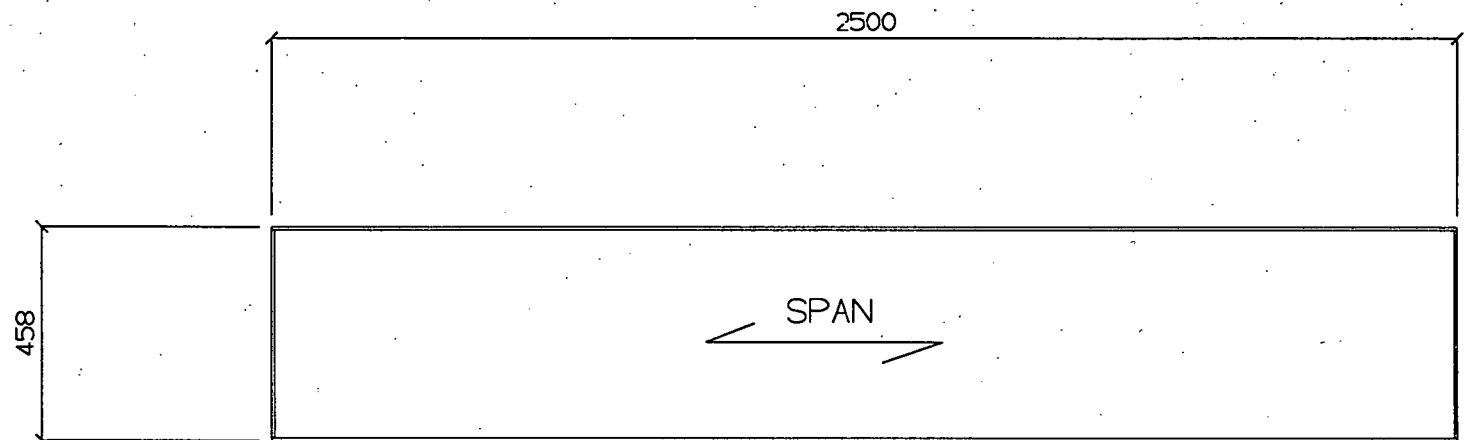
				CLIENT	DRAWN	MUK	Metalwork U.K. BLARLIATH INDUSTRIAL ESTATE TAIN ROSS-SHIRE IV191EB TEL: 01862 894002 FAX: 01862 894008						
				MORRISON CONSTRUCTION LIMITED	CHECKED	MUK							
				PROJECT	GENERAL NOTES					SCALE	JOB No	DWG No.	REV
				CAIRNGORM FUNICULAR						NTS	M 598	DP 29	
REV	BY	DATE	DETAILS	TITLE	OPEN GRID FLOORING								



FLOORING IS 30/100 PATTERN OPEN MESH
 WITH 25 x 5 BEARING BARS
 BEARING BARS TO HAVE SERRATED TOP SURFACE
 PANEL VIEWED LOOKING ON TOP SURFACE



5 No FLOOR PANELS REQUIRED AS DRAWN MARHED DP30

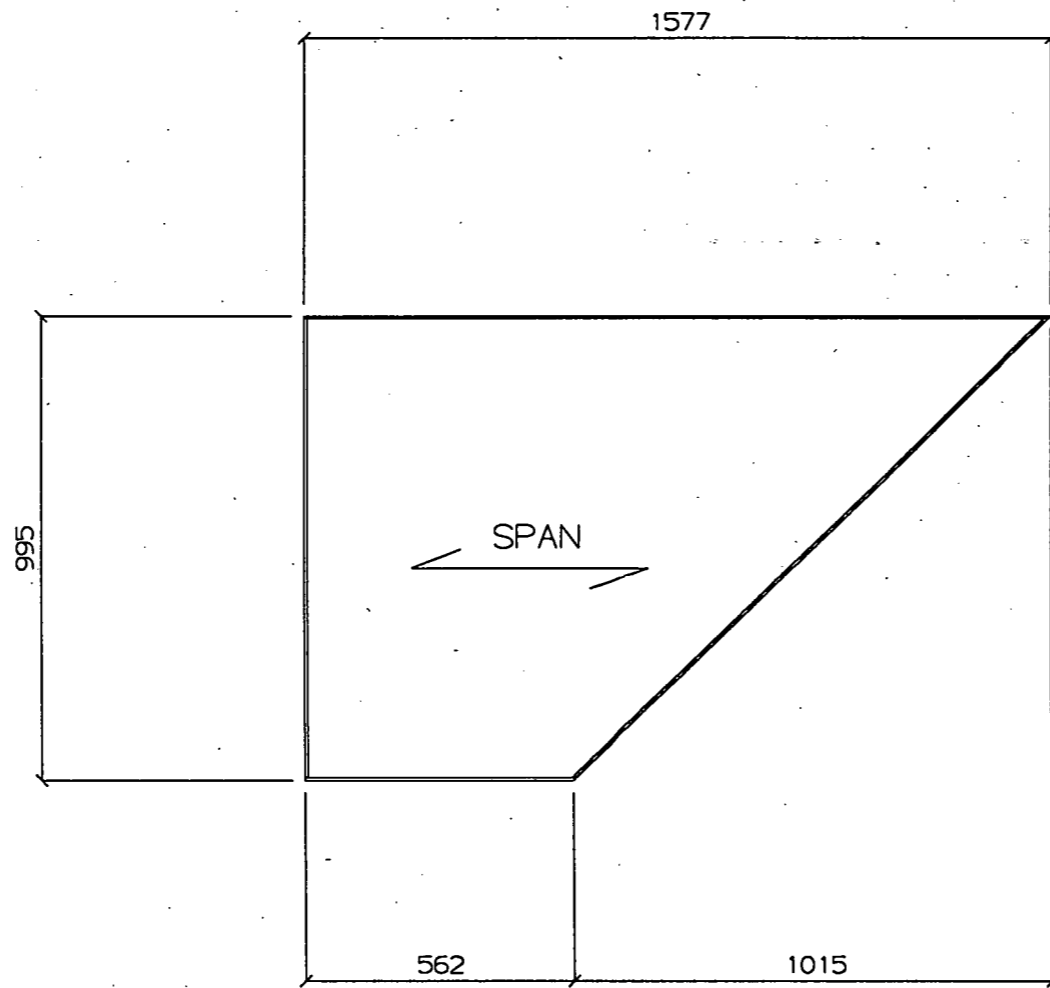
				CLIENT	DRAWN	MUK	Metalwork U.K. BLARLIATH INDUSTRIAL ESTATE TAIN ROSS-SHIRE IV191EB TEL: 01862 894002 FAX: 01862 894008				
				 MORRISON CONSTRUCTION LIMITED	CHECKED	MUK					
				PROJECT	GENERAL NOTES			SCALE	JOB No	DWG No.	REV
				CAIRNGORM FUNICULAR				NTS	M 598	DP 30	
REV	BY	DATE	DETAILS	TITLE							
				OPEN GRID FLOORING							



FLOORING IS 30/100 PATTERN OPEN MESH
 WITH 25 x 5 BEARING BARS
 BEARING BARS TO HAVE SERRATED TOP SURFACE
 PANEL VIEWED LOOKING ON TOP SURFACE



1 No PANEL REQUIRED AS DRAWN MARKED DP 31

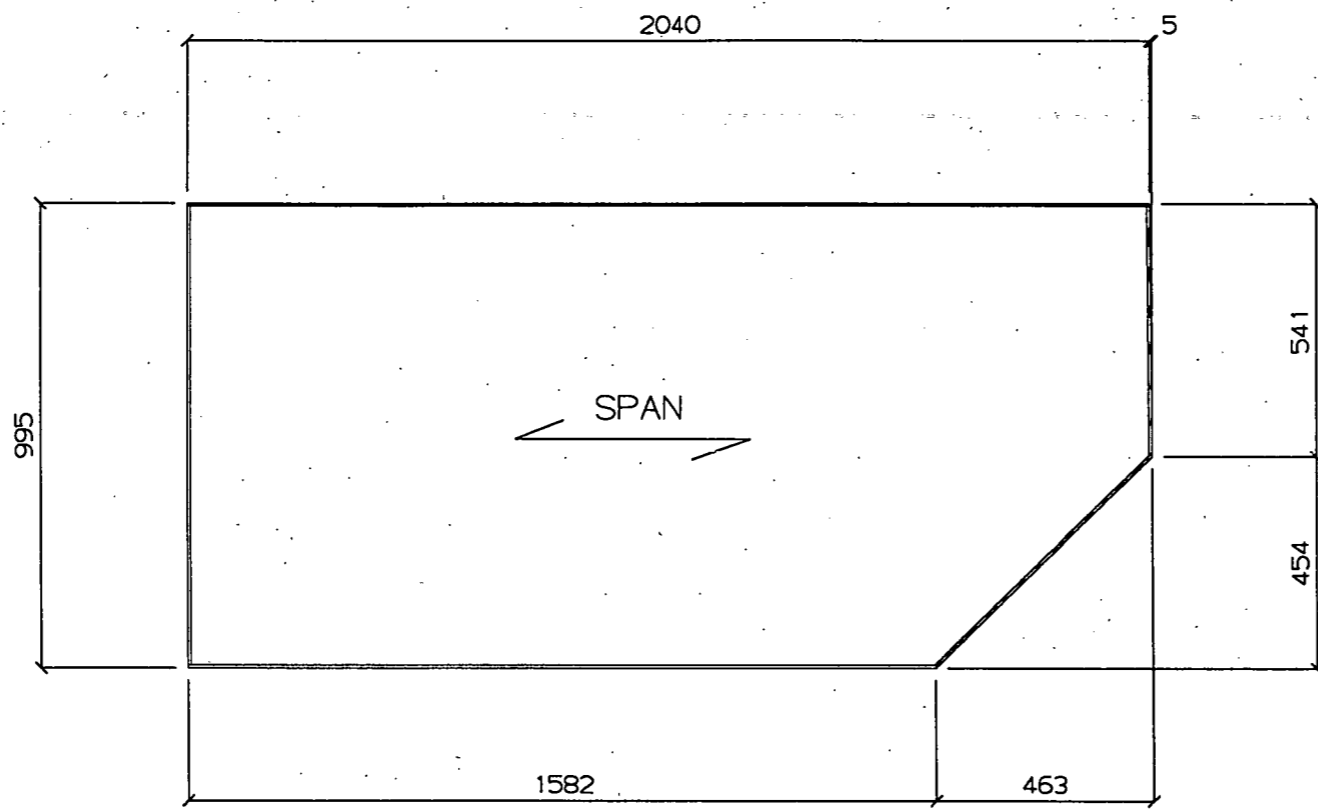
				CLIENT	DRAWN	MUK	Metalwork U.K. BLARLIATH INDUSTRIAL ESTATE TAIN ROSS-SHIRE IV191EB TEL: 01862 894002 FAX: 01862 894008 				
				 MORRISON CONSTRUCTION LIMITED	CHECKED	MUK					
				PROJECT	GENERAL NOTES			SCALE	JOB No	DWG No.	REV
				CAIRNGORM FUNICULAR				NTS	M 598	DP 31	
REV	BY	DATE	DETAILS	TITLE							
				OPEN GRID FLOORING							



FLOORING IS 30/100 PATTERN OPEN MESH
 WITH 25 x 5 BEARING BARS
 BEARING BARS TO HAVE SERRATED TOP SURFACE
 PANEL VIEWED LOOKING ON TOP SURFACE


1 No PANEL REQUIRED AS DRAWN MARKED DP32

				CLIENT	DRAWN	MUK	Metalwork U.K. BLARLIATH INDUSTRIAL ESTATE TAIN ROSS-SHIRE IV191EB TEL: 01862 894002 FAX: 01862 894008 				
				 MORRISON CONSTRUCTION LIMITED	CHECKED	MUK					
				PROJECT	GENERAL NOTES			SCALE	JOB No	DWG No.	REV
				CAIRNGORM FUNICULAR				NTS	M 598	DP 32	
REV	BY	DATE	DETAILS	TITLE							
				OPEN GRID FLOORING							

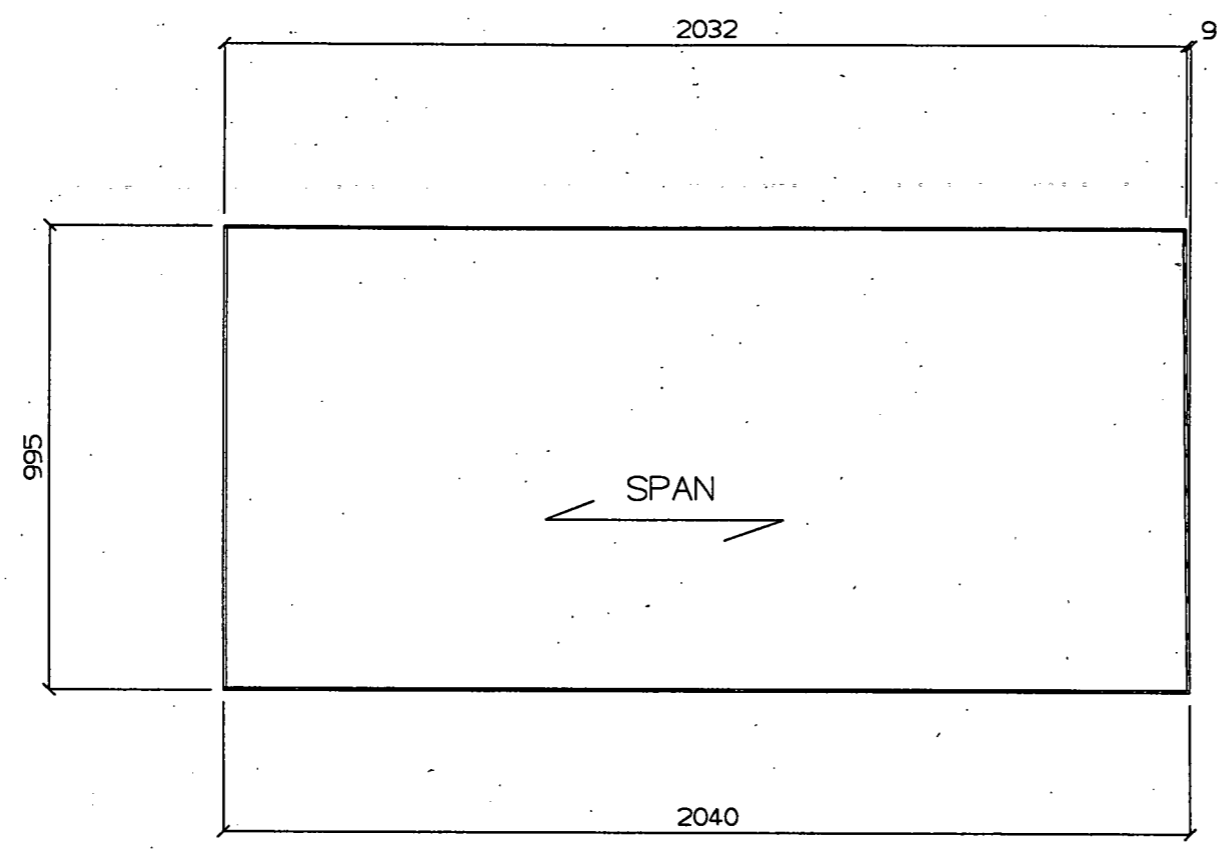


FLOORING IS 30/100 PATTERN OPEN MESH
 WITH 25 x 5 BEARING BARS
 BEARING BARS TO HAVE SERRATED TOP SURFACE
 PANEL VIEWED LOOKING ON TOP SURFACE

1 No PANEL REQUIRED AS DRAWN MARKED DP33



				CLIENT	DRAWN	MUK	Metalwork U.K. BLARLIATH INDUSTRIAL ESTATE TAIN ROSS-SHIRE IV191EB TEL: 01862 894002 FAX: 01862 894008				
				 MORRISON CONSTRUCTION LIMITED	CHECKED	MUK					
				PROJECT	GENERAL NOTES			SCALE	JOB No	DWG No.	REV
				CAIRNGORM FUNICULAR				NTS	M 598	DP 33	
REV	BY	DATE	DETAILS	TITLE							
				OPEN GRID FLOORING							

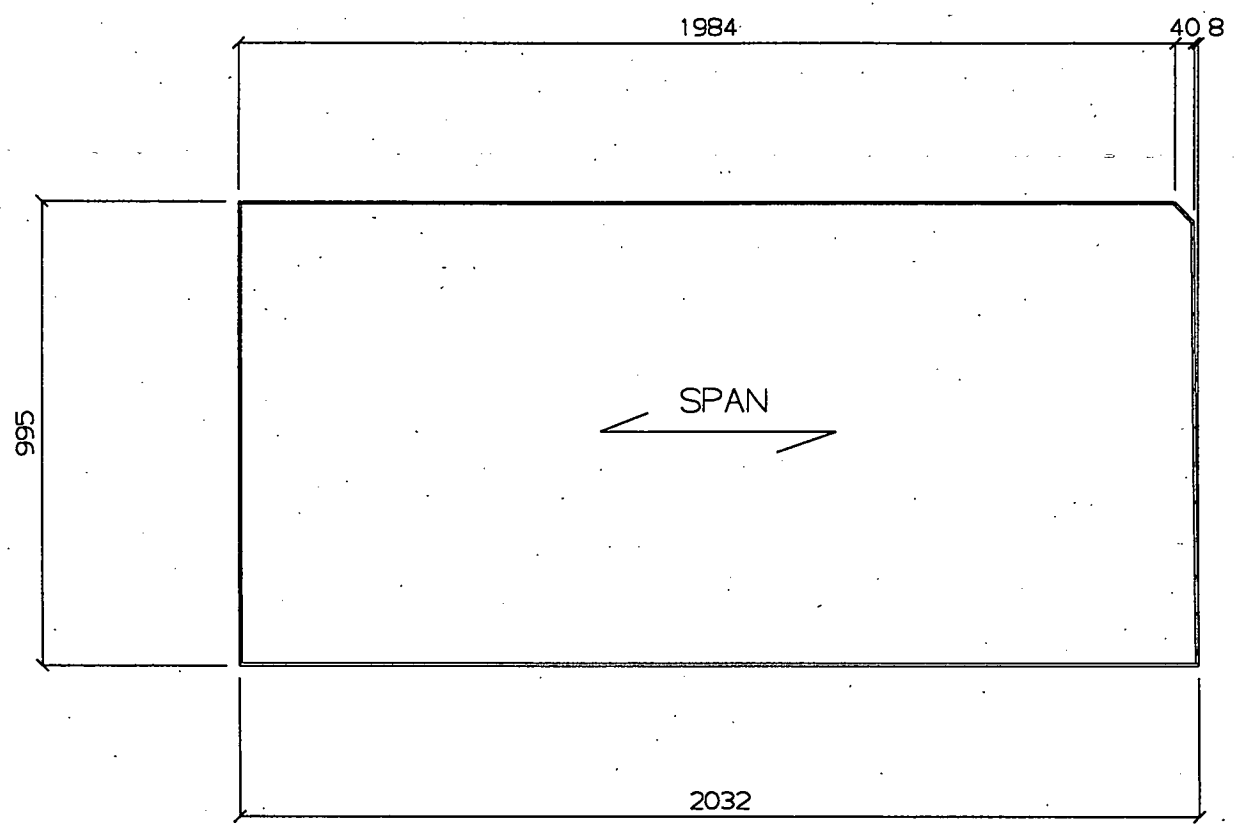




FLOORING IS 30/100 PATTERN OPEN MESH
 WITH 25 x 5 BEARING BARS
 BEARING BARS TO HAVE SERRATED TOP SURFACE
 PANEL VIEWED LOOKING ON TOP SURFACE


1 No PANEL REQUIRED AS DRAWN MARKED DP34

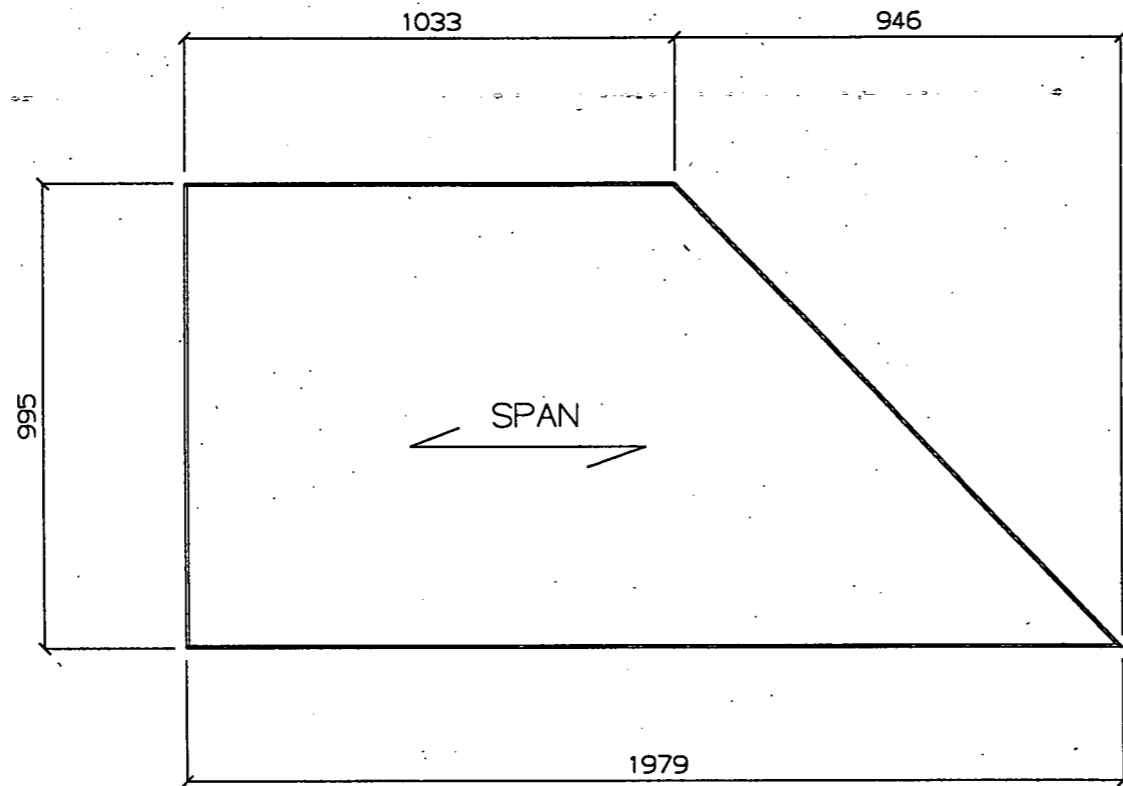
				CLIENT	DRAWN	MUK	Metalwork U.K. BLARLIATH INDUSTRIAL ESTATE TAIN ROSS-SHIRE IV191EB TEL: 01862 894002 FAX: 01862 894008 				
				 MORRISON CONSTRUCTION LIMITED	CHECKED	MUK					
				PROJECT	GENERAL NOTES			SCALE	JOB No	DWG No.	REV
				CAIRNGORM FUNICULAR				NTS	M 598	DP 34	
REV	BY	DATE	DETAILS	TITLE							
				OPEN GRID FLOORING							



FLOORING IS 30/100 PATTERN OPEN MESH
 WITH 25 x 5 BEARING BARS
 BEARING BARS TO HAVE SERRATED TOP SURFACE
 PANEL VIEWED LOOKING ON TOP SURFACE



1 No PANEL REQUIRED AS DRAWN MARKED DP35

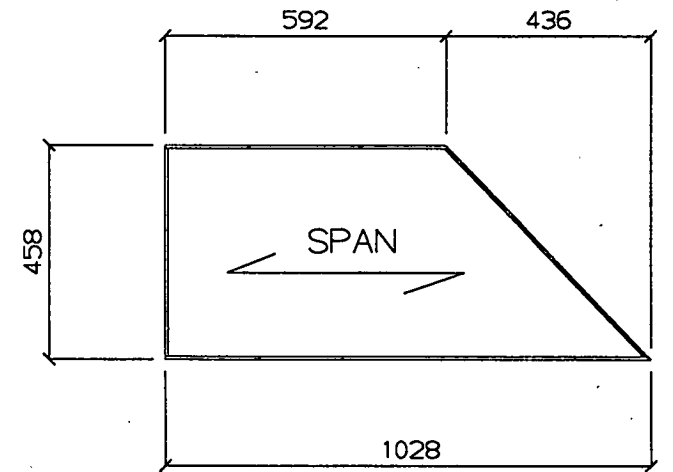
				CLIENT	DRAWN	MUK	Metalwork U.K. BLARLIATH INDUSTRIAL ESTATE TAIN ROSS-SHIRE IV191EB TEL: 01862 894002 FAX: 01862 894008						
				 MORRISON CONSTRUCTION LIMITED	CHECKED	MUK							
				PROJECT	GENERAL NOTES					SCALE	JOB No	DWG No.	REV
				CAIRNGORM FUNICULAR									
REV	BY	DATE	DETAILS	TITLE	OPEN GRID FLOORING					NTS	M 598	DP 35	



FLOORING IS 30/100 PATTERN OPEN MESH
WITH 25 x 5 BEARING BARS
BEARING BARS TO HAVE SERRATED TOP SURFACE
PANEL VIEWED LOOKING ON TOP SURFACE


1 No PANEL REQUIRED AS DRAWN MARKED DP 36

				CLIENT	DRAWN	MUK	Metalwork U.K. BLARLIATH INDUSTRIAL ESTATE TAIN ROSS-SHIRE IV191EB TEL: 01862 894002 FAX: 01862 894008 				
				 MORRISON CONSTRUCTION LIMITED	CHECKED	MUK					
				PROJECT	GENERAL NOTES			SCALE	JOB No	DWG No.	REV
				CAIRNGORM FUNICULAR				NTS	M 598	DP 36	
REV	BY	DATE	DETAILS	TITLE							
				OPEN GRID FLOORING							

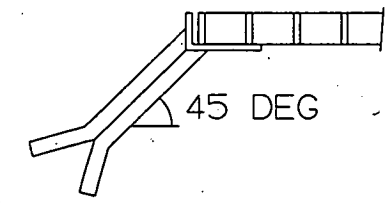
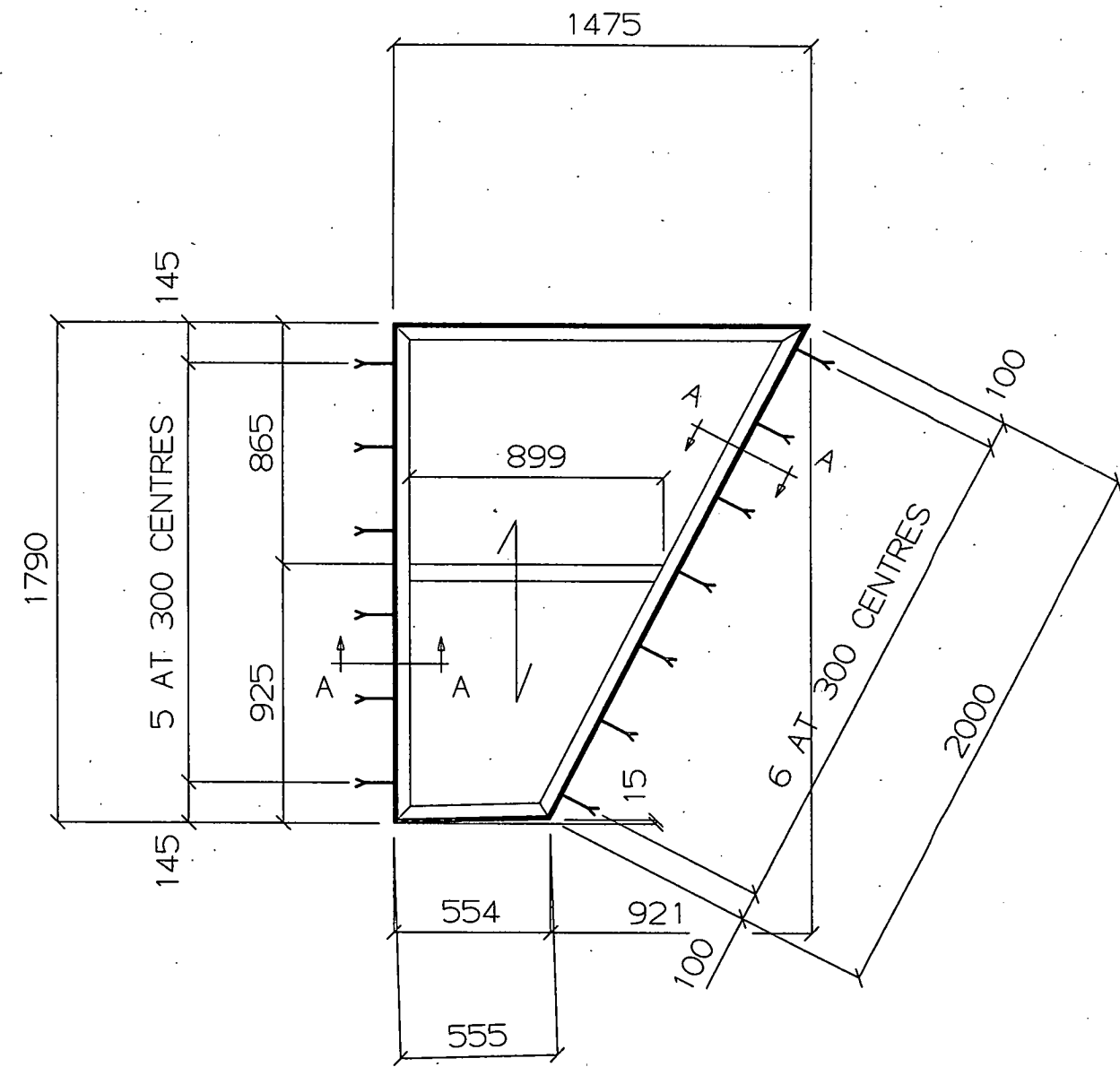


FLOORING IS 30/100 PATTERN OPEN MESH
 WITH 25 x 5 BEARING BARS
 BEARING BARS TO HAVE SERRATED TOP SURFACE
 PANEL VIEWED LOOKING ON TOP SURFACE

1 No. PANEL REQUIRED AS DRAWN MARKED DP37

				CLIENT	DRAWN	MUK	Metalwork U.K. BLARLIATH INDUSTRIAL ESTATE TAIN ROSS-SHIRE IV191EB TEL: 01862 894002 FAX: 01862 894008				
				 MORRISON CONSTRUCTION LIMITED	CHECKED	MUK					
				PROJECT	GENERAL NOTES			SCALE	JOB No	DWG No.	REV
				CAIRNGORM FUNICULAR				NTS	M 598	DP 37	
REV	BY	DATE	DETAILS	TITLE	OPEN GRID FLOORING						







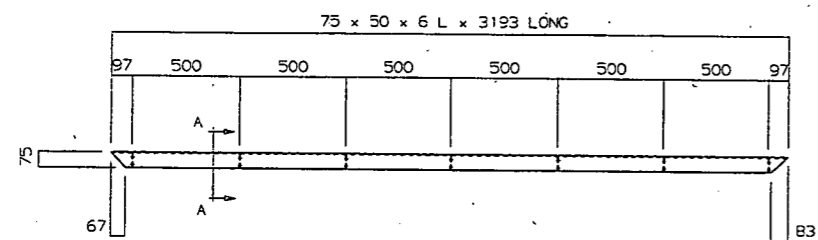
6 THICK FISHTAIL TANGS
X 125 LONG

SECTION A - A

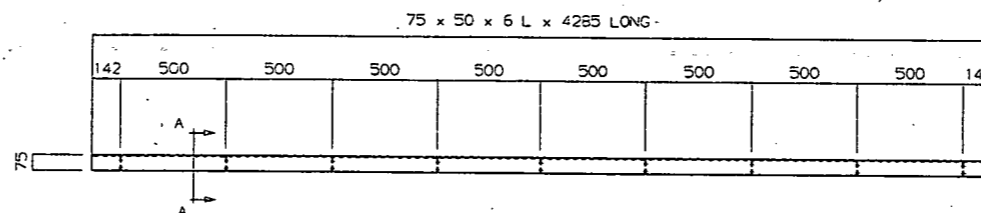
PERIMETER FRAME OUT OF -
60 X 30 X 5 L
MID SUPPORT OUT OF -
50 X 5 FLAT BAR
FLOORING IS 30/100 PATTERN OPEN MESH
WITH 25 X 5 BEARING BARS
BEARING BARS TO HAVE SERRATED TOP SURFACE
PANEL VIEWED LOOKING ON TOP SURFACE

1 No FRAME REQUIRED AS DRAWN

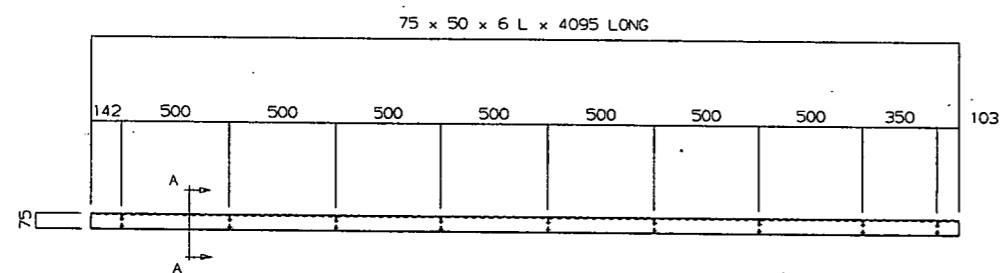
				CLIENT	DRAWN	MUK	<h1>Metalwork U.K.</h1> <p>BLARLIATH INDUSTRIAL ESTATE TAIN ROSS-SHIRE IV191EB TEL: 01862 894002 FAX: 01862 894008</p> 
				 MORRISON CONSTRUCTION LIMITED	CHECKED	MUK	
				PROJECT	GENERAL NOTES		SCALE
				CAIRNGORM FUNICULAR			JOB No
REV	BY	DATE	DETAILS	TITLE			DWG No.
				OPEN GRID FLOORING			REV
					NTS	M 598	DP 38



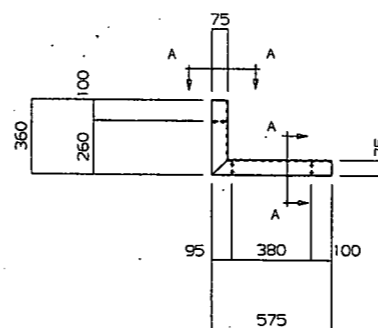
1 No FLOORING SUPPORT REQUIRED AS DRAWN MKD FS 1



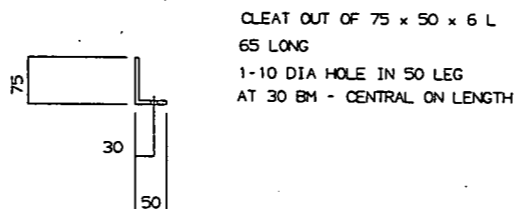
3 No FLOORING SUPPORT REQUIRED AS DRAWN MKD FS 2



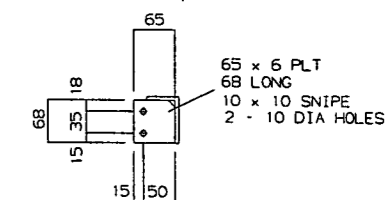
1 No FLOORING SUPPORT REQUIRED AS DRAWN MKD FS 3



1 No FLOORING SUPPORT REQUIRED AS DRAWN MKD FS 4




CLEAT OUT OF 75 x 50 x 6 L
65 LONG
1-10 DIA HOLE IN 50 LEG
AT 30 BM - CENTRAL ON LENGTH

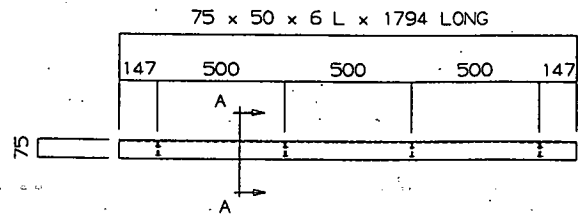


SECTION A-A

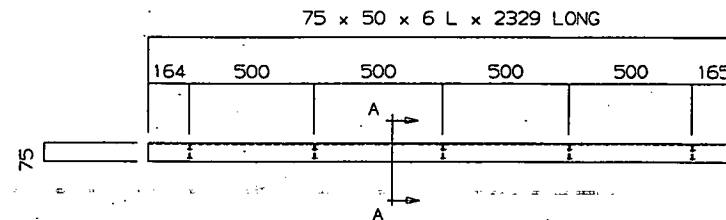
46 No FIXING CLEATS REQUIRED AS DRAWN

				CLIENT	DRAWN	MUK	Metalwork U.K. BLARLIATH INDUSTRIAL ESTATE TAIN ROSS-SHIRE IV191EB TEL: 01862 894002 FAX: 01862 894008				
				 MORRISON CONSTRUCTION LIMITED	CHECKED	MUK					
				PROJECT	GENERAL NOTES			SCALE	JOB No	DWG No.	REV
				CAIRNGORM FUNICULAR				NTS	M 598	FS 1	
REV	BY	DATE	DETAILS	TITLE	OPEN GRID FLOORING						

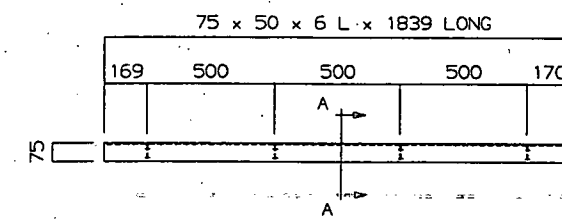




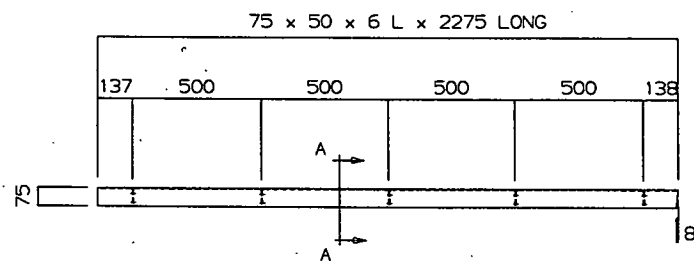
1 No FLOOR SUPPORT REQUIRED AS DRAWN MKD FS 5



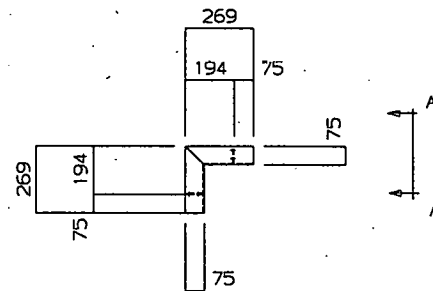
1 No FLOOR SUPPORT REQUIRED AS DRAWN MKD FS 6



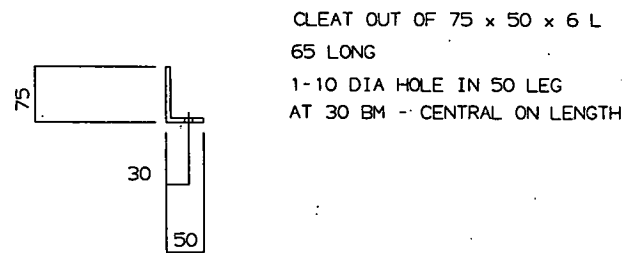
1 No FLOOR SUPPORT REQUIRED AS DRAWN MKD FS 7



1 No FLOOR SUPPORT REQUIRED AS DRAWN MKD FS 8

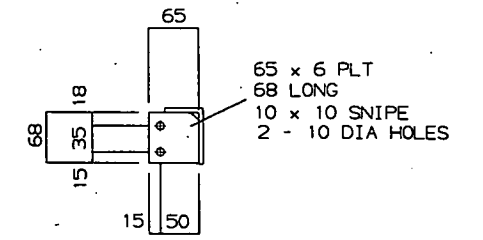


1 No FLOOR SUPPORT REQUIRED AS DRAWN MKD FS 9




CLEAT OUT OF 75 x 50 x 6 L
65 LONG
1-10 DIA HOLE IN 50 LEG
AT 30 BM - CENTRAL ON LENGTH

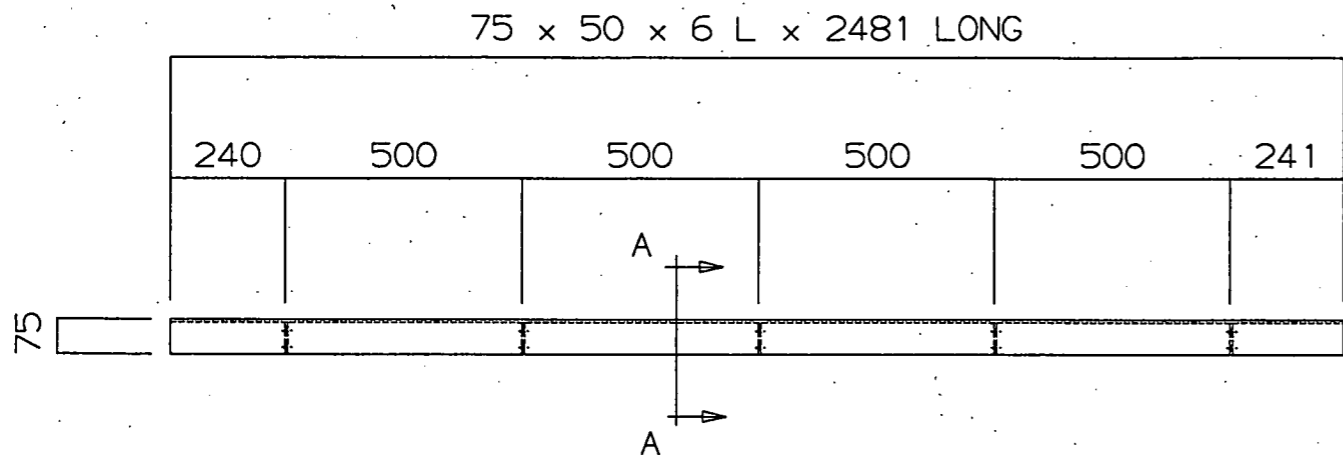
20 No FIXING CLEATS REQUIRED AS DRAWN



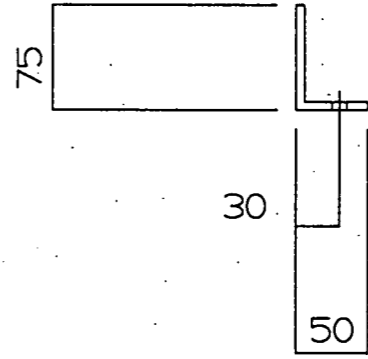
SECTION A-A

				CLIENT	DRAWN	MUK	Metalwork U.K. BLARLIATH INDUSTRIAL ESTATE TAIN ROSS-SHIRE IV191EB TEL: 01862 894002 FAX: 01862 894008					
				 MORRISON CONSTRUCTION LIMITED	CHECKED	MUK						
				PROJECT	GENERAL NOTES				SCALE	JOB No	DWG No.	REV
				CAIRNGORM FUNICULAR					NTS	M 598	FS 2	
REV	BY	DATE	DETAILS	TITLE								
				OPEN GRID FLOORING								



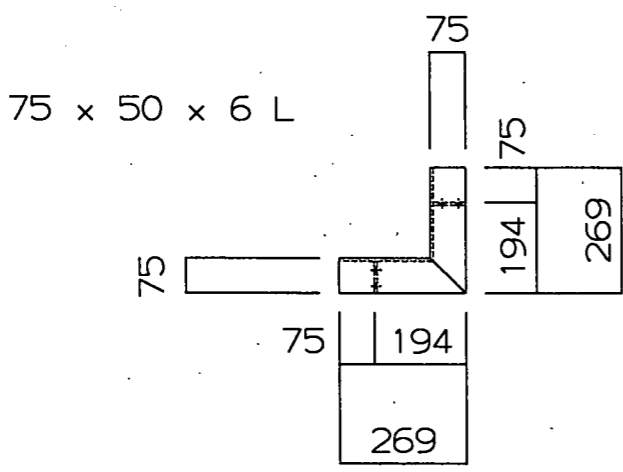


3 No FLOOR SUPPORTS REQUIRED AS DRAWN MKD FS 10

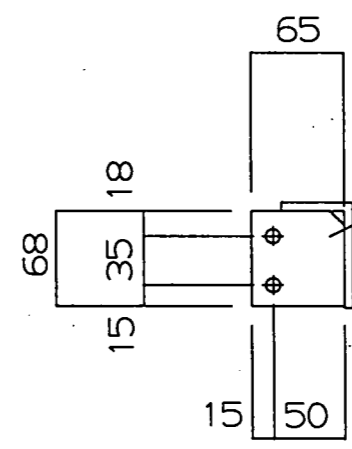


CLEAT OUT OF 75 x 50 x 6 L
65 LONG
1-10 DIA HOLE IN 50 LEG
AT 30 BM - CENTRAL ON LENGTH

17 No FIXING CLEATS REQUIRED AS DRAWN



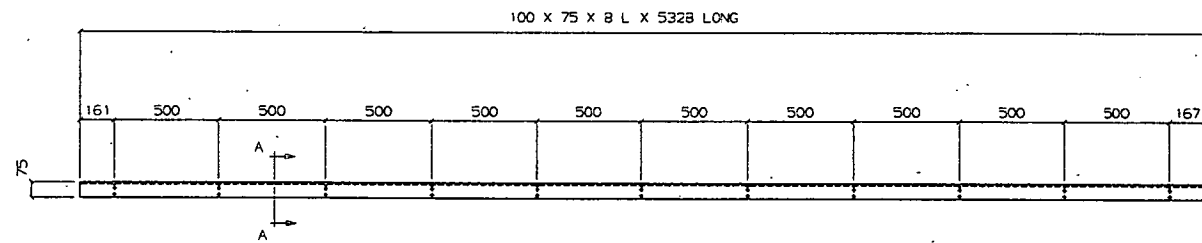
1 No FLOOR SUPPORT REQUIRED AS DRAWN MKD FS 11



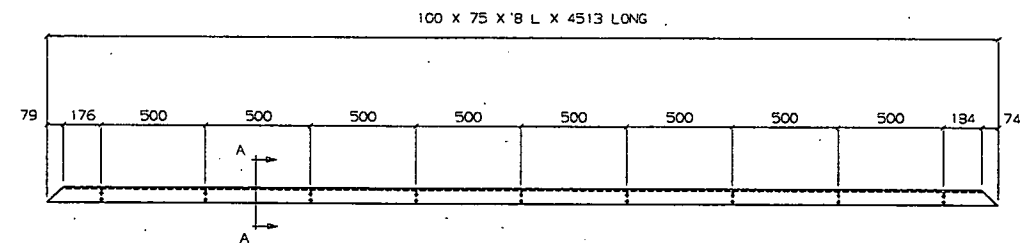
65 x 6 PLT
68 LONG
10 x 10 SNIPE
2 - 10 DIA HOLES

SECTION A-A

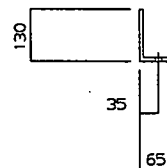
				CLIENT	DRAWN	MUK	Metalwork U.K. BLARLIATH INDUSTRIAL ESTATE TAIN ROSS-SHIRE IV191EB TEL: 01862 894002 FAX: 01862 894008				
				MORRISON CONSTRUCTION LIMITED	CHECKED	MUK					
				PROJECT	GENERAL NOTES			SCALE	JOB No	DWG No.	REV
				CAIRNGORM FUNICULAR				NTS	M 598	FS 3	
REV	BY	DATE	DETAILS	TITLE							
				OPEN GRID FLOORING							



2 No FLOORING SUPPORTS REQUIRED AS DRAWN MARKED FS 12



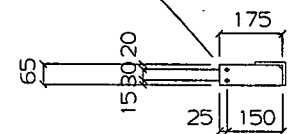
1 No FLOORING SUPPORT REQUIRED AS DRAWN MARKED FS 13





CLEAT OUT OF 60 X 8 BENT FLAT
1-10 DIA HOLE IN 50 LEG
AT 30 BM - CENTRAL ON LENGTH

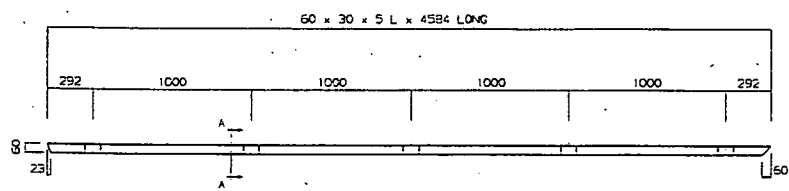
31 No FIXING CLEATS REQUIRED AS DRAWN

65 X 6 PLATE
175 LONG
15 X 15 SNIPE
2- 10 DIA HOLES

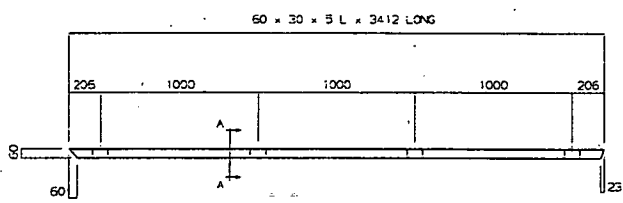


SECTION A-A

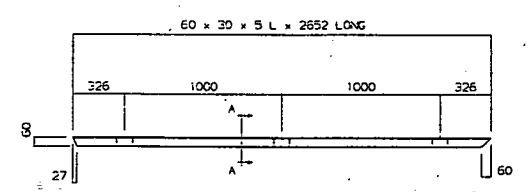
				CLIENT	DRAWN	MUK	Metalwork U.K. BLARLIATH INDUSTRIAL ESTATE TAIN ROSS-SHIRE IV191EB TEL: 01862 894002 FAX: 01862 894008 					
				 MORRISON CONSTRUCTION LIMITED	CHECKED	MUK						
				PROJECT	GENERAL NOTES				SCALE	JOB No	DWG No.	REV
				CAIRNGORM FUNICULAR								
A	MUK	27/07/01	ANGLE SECTION ALTD CLEATS AND PLTS ALTD	TITLE					OPEN GRID FLOORING	NTS	M 598	FS 4



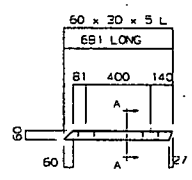
1 No LEDGE ANGLE REQUIRED AS DRAWN MKD LA 1



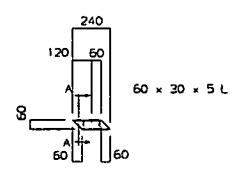
1 No LEDGE ANGLE REQUIRED AS DRAWN MKD LA 2



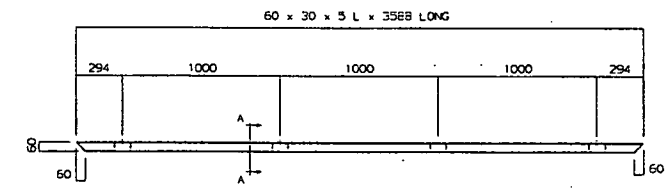
1 No LEDGE ANGLE REQUIRED AS DRAWN MKD LA 3



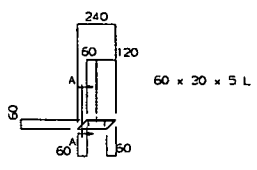
1 No LEDGE ANGLE REQUIRED AS DRAWN MKD LA 4



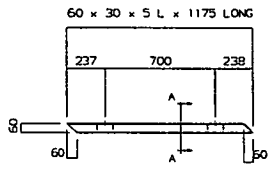
1 No LEDGE ANGLE REQUIRED AS DRAWN MKD LA 5



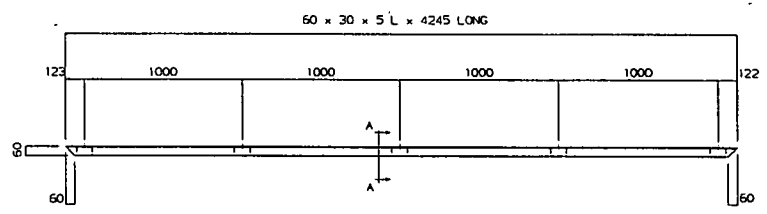
1 No LEDGE ANGLE REQUIRED AS DRAWN MKD LA 6



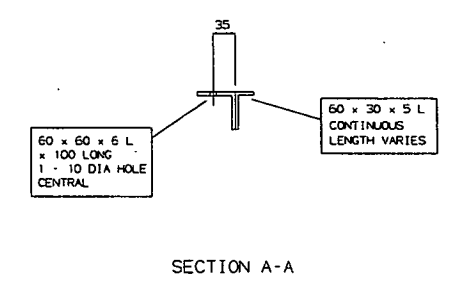
1 No LEDGE ANGLE REQUIRED AS DRAWN MKD LA 7



1 No LEDGE ANGLE REQUIRED AS DRAWN MKD LA 8



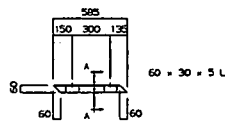
1 No LEDGE ANGLE REQUIRED AS DRAWN MKD LA 9



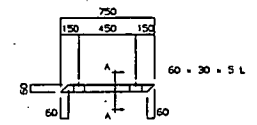
SECTION A-A

				CLIENT	DRAWN	MUK	Metalwork U.K. BLARLIATH INDUSTRIAL ESTATE TAIN ROSS-SHIRE IV191EB TEL: 01862 894002 FAX: 01862 894008			
				MORRISON CONSTRUCTION LIMITED	CHECKED	MUK				
				TITLE	SCALE	JOB No	DWG No.	REV		
REV	BY	DATE	DETAILS	OPEN GRID FLOORING	NTS	M 598	LA 1			

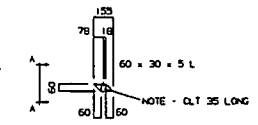




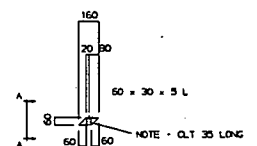
1 No LEDGE ANGLE REQUIRED AS DRAWN MKD LA 10



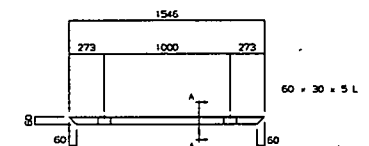
1 No LEDGE ANGLE REQUIRED AS DRAWN MKD LA 11



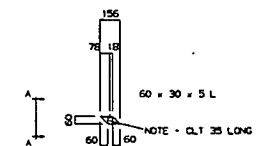
1 No LEDGE ANGLE REQUIRED AS DRAWN MKD LA 12



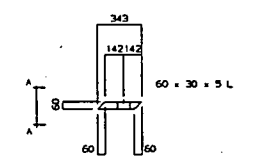
1 No LEDGE ANGLE REQUIRED AS DRAWN MKD LA 13



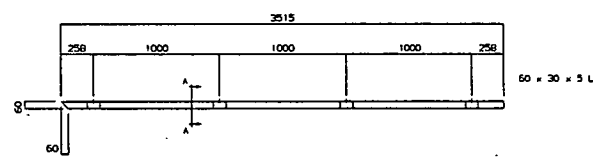
1 No LEDGE ANGLE REQUIRED AS DRAWN MKD LA 14



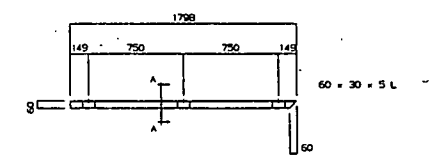
1 No LEDGE ANGLE REQUIRED AS DRAWN MKD LA 15



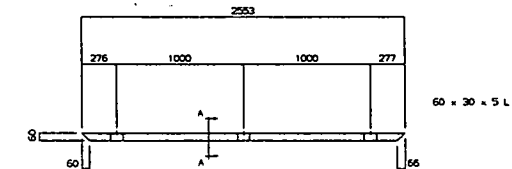
1 No LEDGE ANGLE REQUIRED AS DRAWN MKD LA 16



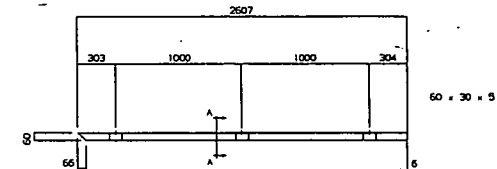
1 No LEDGE ANGLE REQUIRED AS DRAWN MKD LA 17



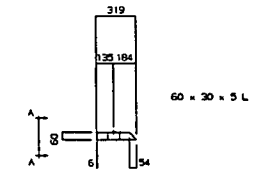
1 No LEDGE ANGLE REQUIRED AS DRAWN MKD LA 18



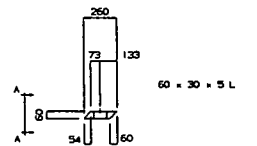
1 No LEDGE ANGLE REQUIRED AS DRAWN MKD LA 19



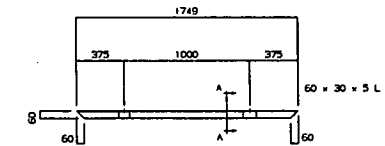
1 No LEDGE ANGLE REQUIRED AS DRAWN MKD LA 20



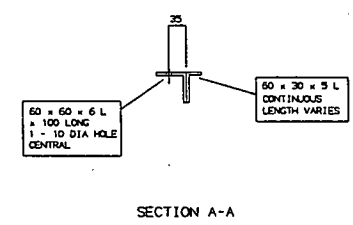
1 No LEDGE ANGLE REQUIRED AS DRAWN MKD LA 21



1 No LEDGE ANGLE REQUIRED AS DRAWN MKD LA 22



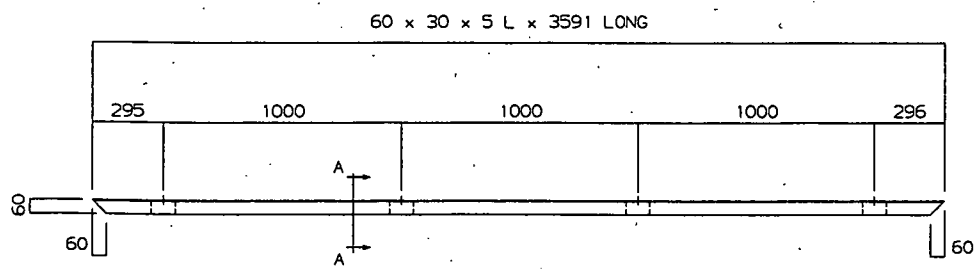
1 No LEDGE ANGLE REQUIRED AS DRAWN MKD LA 23



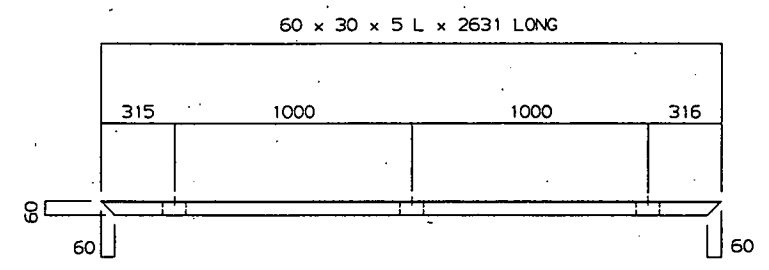
SECTION A-A

				CLIENT	DRAWN	MUK	Metalwork U.K. BLARLIATH INDUSTRIAL ESTATE TAIN ROSS-SHIRE IV191EB TEL: 01862 894002 FAX: 01862 894008				
				MORRISON CONSTRUCTION LIMITED	CHECKED	MUK					
				PROJECT	GENERAL NOTES			SCALE	JOB No	DWG No.	REV
				CAIRNGORM FUNICULAR				NTS	M 598	LA 2	
REV	BY	DATE	DETAILS	TITLE	OPEN GRID FLOORING						

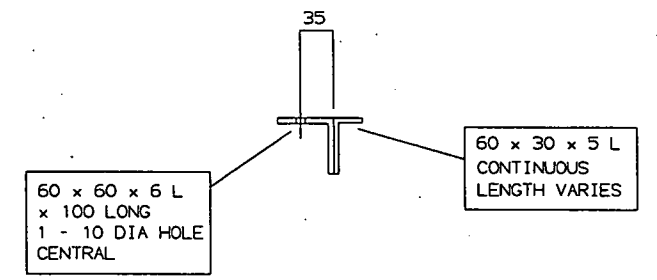






2 No LEDGE ANGLES REQUIRED AS DRAWN MKD LA 24

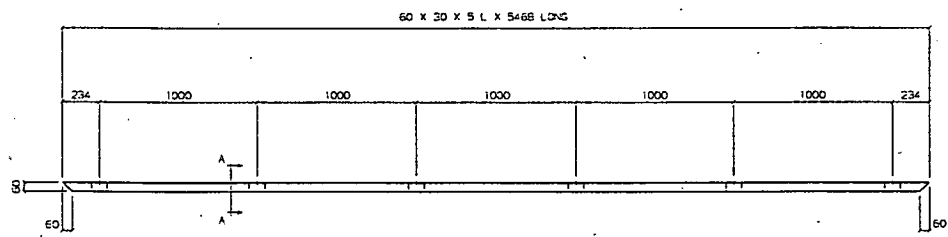


2 No LEDGE ANGLES REQUIRED AS DRAWN MKD LA 25

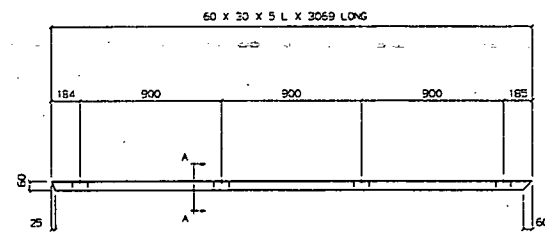


SECTION A-A

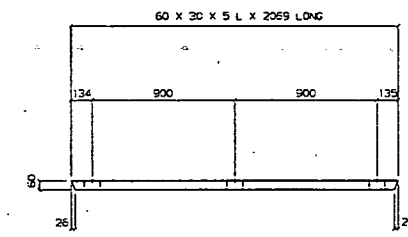
				CLIENT	DRAWN	MUK	Metalwork U.K. BLARLIATH INDUSTRIAL ESTATE TAIN ROSS-SHIRE IV191EB TEL: 01862 894002 FAX: 01862 894008				
				 MORRISON CONSTRUCTION LIMITED	CHECKED	MUK					
				PROJECT	GENERAL NOTES			SCALE:	JOB No	DWG No.	REV
				CAIRNGORM FUNICULAR				NTS	M 598	LA 3	
REV	BY	DATE	DETAILS	TITLE							
				OPEN GRID FLOORING							



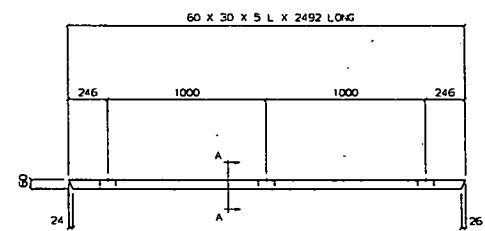
1 No LEDGE ANGLE REQUIRED AS DRAWN MARKED LA 26



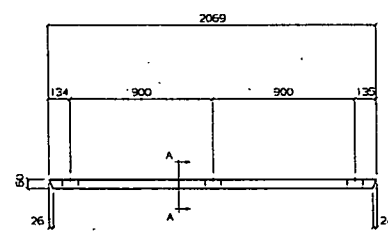
1 No LEDGE ANGLE REQUIRED AS DRAWN MARKED LA 27



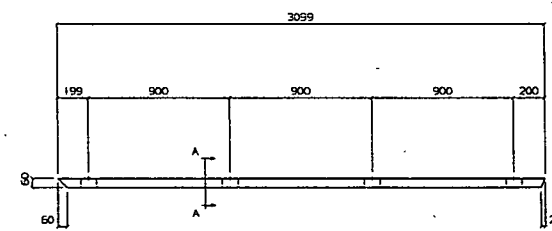
1 No LEDGE ANGLE REQUIRED AS DRAWN MARKED LA 28



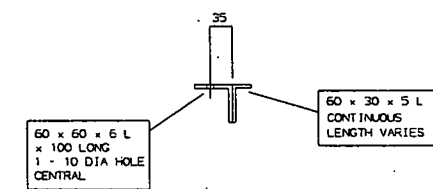
1 No LEDGE ANGLE REQUIRED AS DRAWN MARKED LA 29



1 No LEDGE ANGLE REQUIRED AS DRAWN MARKED LA 30



1 No LEDGE ANGLE REQUIRED AS DRAWN MARKED LA 31



SECTION A-A

				CLIENT	DRAWN	MUK	Metalwork U.K. BLARLIATH INDUSTRIAL ESTATE TAIN ROSS-SHIRE IV191EB TEL: 01862 894002 FAX: 01862 894008				
				MORRISON CONSTRUCTION LIMITED	CHECKED	MUK					GENERAL NOTES SCALE JOB No DWG No. REV NTS M 598 LA 4
				PROJECT	TITLE						
				CAIRNGORM FUNICULAR					OPEN GRID FLOORING		
REV	BY	DATE	DETAILS								

